



## INSTALLATION INSTRUCTIONS

# FSA-1008 and KFSA-1012

## EXTENDED REACH DESK CLAMP BRACKET ACCESSORY

Prior to assembly, unpack carton completely and verify contents.

If you are missing any of the following components, please contact Customer Service at 1-800/582-6480.



Figure 1

(1) Extended Reach Desk Clamp Bracket

**BEFORE PROCEEDING, READ INSTALLATION INSTRUCTIONS COMPLETELY**

### CAUTION!

**FLAT PANEL DISPLAYS ARE EXTREMELY FRAGILE.**

1. Using 3/16" and 3/32" hex keys (From Desk Clamp Kit), remove the components (see Figure 2).
2. Attach Extended Reach Desk Clamp Bracket (see Figure 3).
3. Reassemble base (see figure 4).

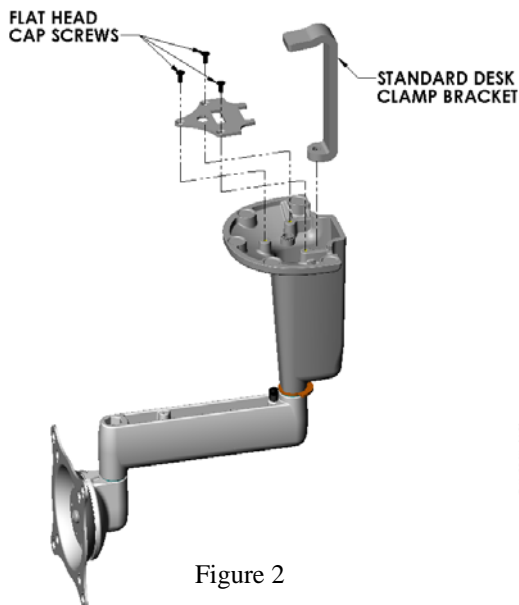


Figure 2

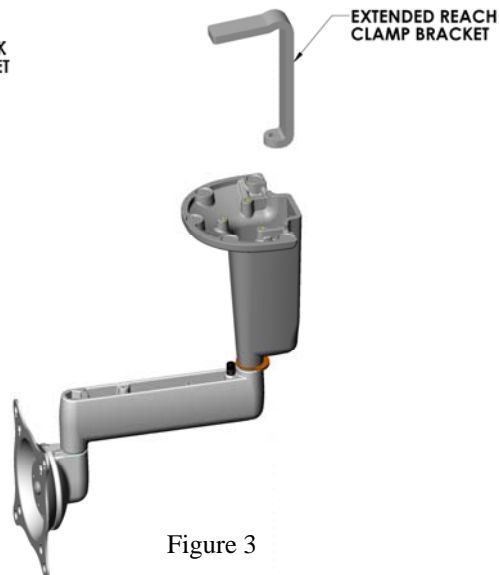


Figure 3

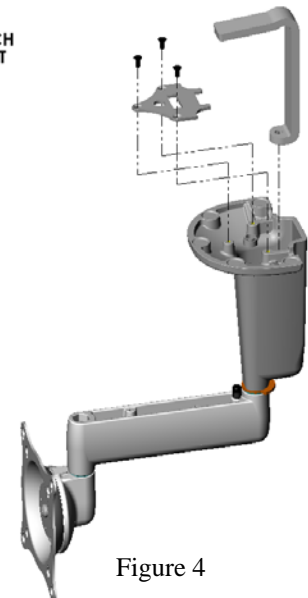


Figure 4