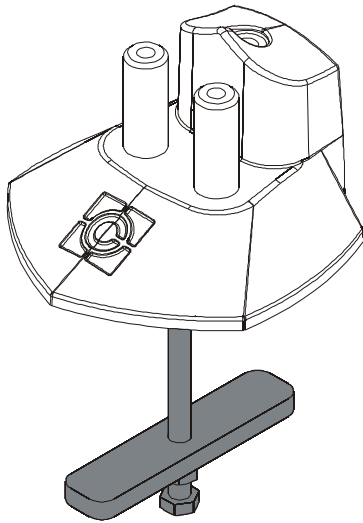
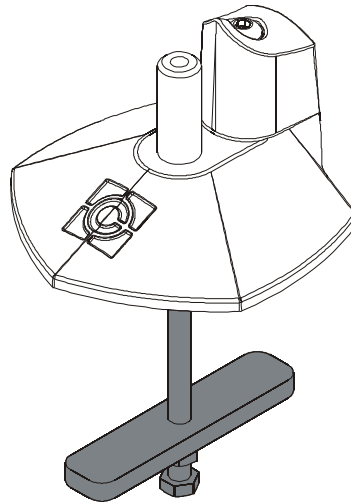

INSTALLATION INSTRUCTIONS



dual mount



single display mount

Grommet Mounting Kit

DISCLAIMER

Milestone AV Technologies and its affiliated corporations and subsidiaries (collectively "Milestone"), intend to make this manual accurate and complete. However, Milestone makes no claim that the information contained herein covers all details, conditions or variations, nor does it provide for every possible contingency in connection with the installation or use of this product. The information contained in this document is subject to change without notice or obligation of any kind. Milestone makes no representation of warranty, expressed or implied, regarding the information contained herein. Milestone assumes no responsibility for accuracy, completeness or sufficiency of the information contained in this document.

Chief® is a registered trademark of Milestone AV Technologies. All rights reserved.

! IMPORTANT WARNINGS AND CAUTIONS!

! WARNING: A WARNING alerts you to the possibility of serious injury or death if you do not follow the instructions.

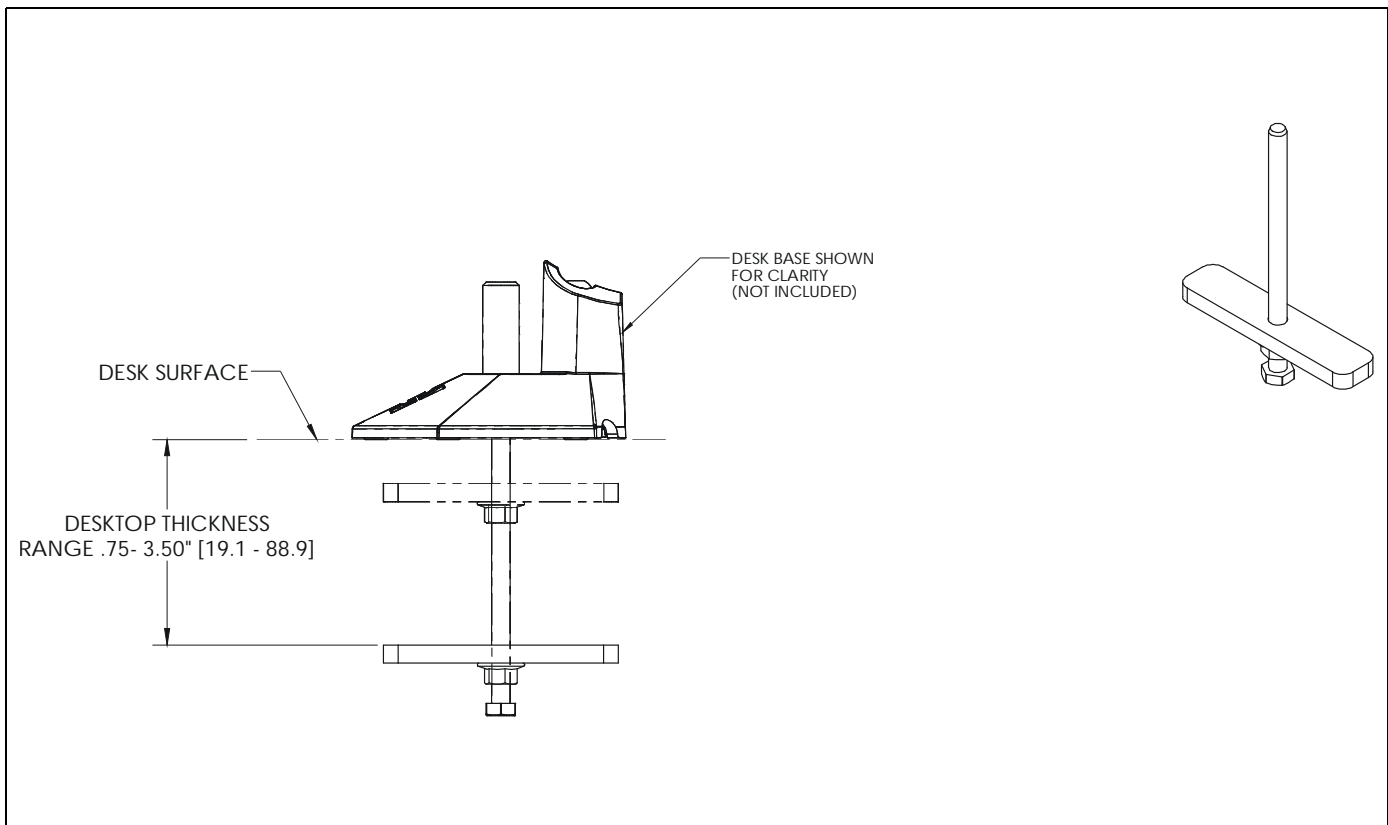
! CAUTION: A CAUTION alerts you to the possibility of damage or destruction of equipment if you do not follow the corresponding instructions.

! WARNING: Failure to read, thoroughly understand, and follow all instructions can result in serious personal injury, damage to equipment, or voiding of factory warranty! It is the installer's responsibility to make sure all components are properly assembled and installed using the instructions provided.

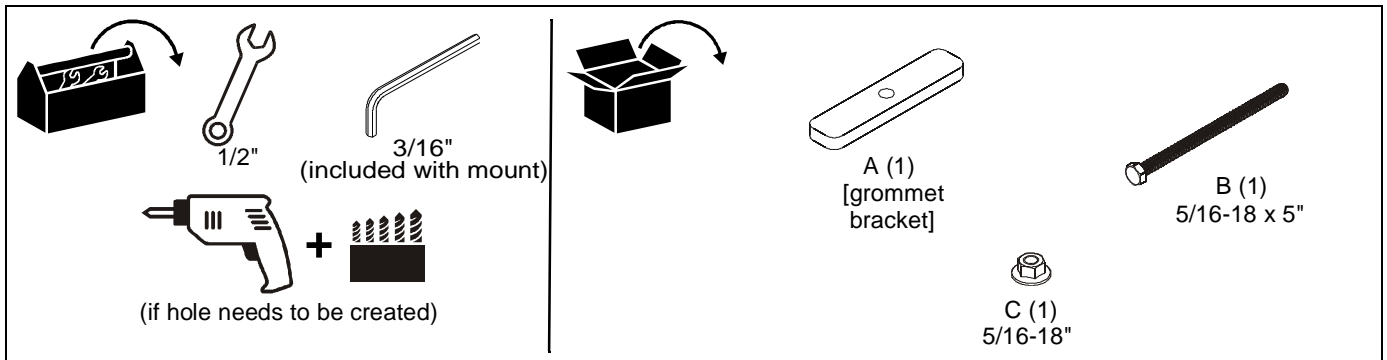
! WARNING: Failure to provide adequate structural strength for this component can result in serious personal injury or damage to equipment! The KRA202 can ONLY be mounted onto desks measuring between 3/4" and 3 1/2" in depth!

--SAVE THESE INSTRUCTIONS--

DIMENSIONS



TOOLS / PARTS FOR INSTALLATION



ASSEMBLY AND INSTALLATION

1. Remove desk clamp from mount by loosening button head cap screw until clamp is completely disengaged from the bolt. (See Figure 1)

NOTE: Button head cap screw can be removed or left loosely in its hole after clamp is removed.

2. Maneuver clamp so that it is totally removed from desk mount. (See Figure 1)

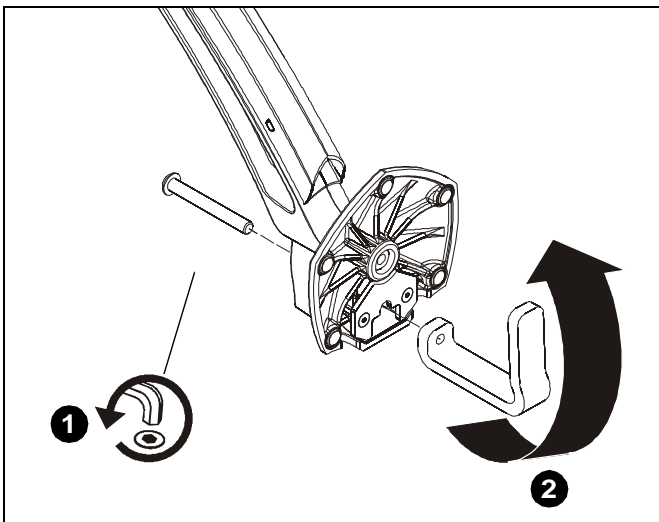


Figure 1

3. Locate a flat surface (thickness of 3/4" minimum to 3 1/2" maximum) on which to mount the column plate.
4. If mounting hole does not already exist on desk, drill mounting hole in desk at desired mounting location.

IMPORTANT ! : Mounting hole must be a minimum of 5/16" in diameter and a maximum of 2"!

5. Thread 5/16-18" hex flange nut (C) onto 5/16-18 x 5" hex head bolt (B). (See Figure 2)
6. Position mount on desk so that threaded hole is centered over grommet hole. (See Figure 2)
7. Insert 5/16-18 x 5" bolt (B) through grommet bracket (A), grommet hole and thread into center hole on underside of mount as far as possible. (See Figure 2) and (See Figure 3)

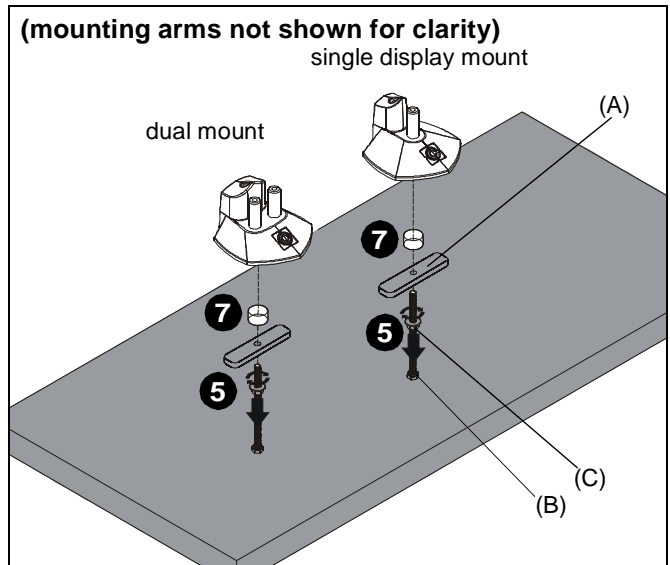


Figure 2

8. Tighten hex flange nut (C) until grommet bracket (B) is tightened against underside of desk. (See Figure 3)

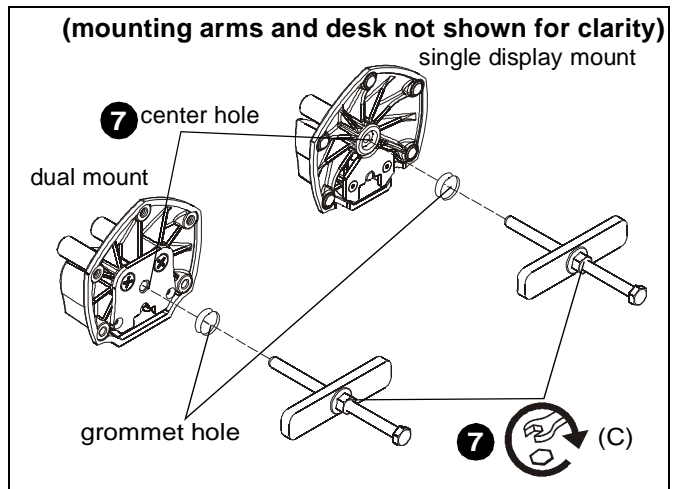


Figure 3

9. Complete the installation following the mount installation instructions.



Our Mounts. **Your Vision.**

Chief Manufacturing, a products division
of Milestone AV Technologies

8800-002072 Rev01
©2011 Milestone AV Technologies, a
Duchossois Group Company
www.chiefmfg.com
10/11

USA/International	A 8401 Eagle Creek Parkway, Savage, MN 55378 P 800.582.6480 / 952.894.6280 F 877.894.6918 / 952.894.6918
Europe	A Fellenoord 130 5611 ZB EINDHOVEN, The Netherlands P +31 (0)40 2668620 F +31 (0)40 2668615
Asia Pacific	A Office No. 1 on 12/F, Shatin Galleria 18-24 Shan Mei Street Fotan, Shatin, Hong Kong P 852 2145 4099 F 852 2145 4477

