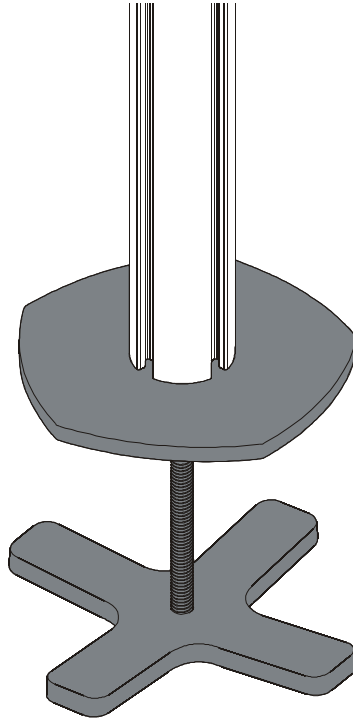

INSTALLATION INSTRUCTIONS



Grommet Mounting Kit

DISCLAIMER

Milestone AV Technologies and its affiliated corporations and subsidiaries (collectively "Milestone"), intend to make this manual accurate and complete. However, Milestone makes no claim that the information contained herein covers all details, conditions or variations, nor does it provide for every possible contingency in connection with the installation or use of this product. The information contained in this document is subject to change without notice or obligation of any kind. Milestone makes no representation of warranty, expressed or implied, regarding the information contained herein. Milestone assumes no responsibility for accuracy, completeness or sufficiency of the information contained in this document.

Chief® is a registered trademark of Milestone AV Technologies. All rights reserved.



CAUTION: A CAUTION alerts you to the possibility of damage or destruction of equipment if you do not follow the corresponding instructions.



WARNING: Failure to read, thoroughly understand, and follow all instructions can result in serious personal injury, damage to equipment, or voiding of factory warranty! It is the installer's responsibility to make sure all components are properly assembled and installed using the instructions provided.



WARNING: Failure to provide adequate structural strength for this component can result in serious personal injury or damage to equipment! The KRA204 can ONLY be mounted onto desks measuring between 3/4" and 4" in depth!

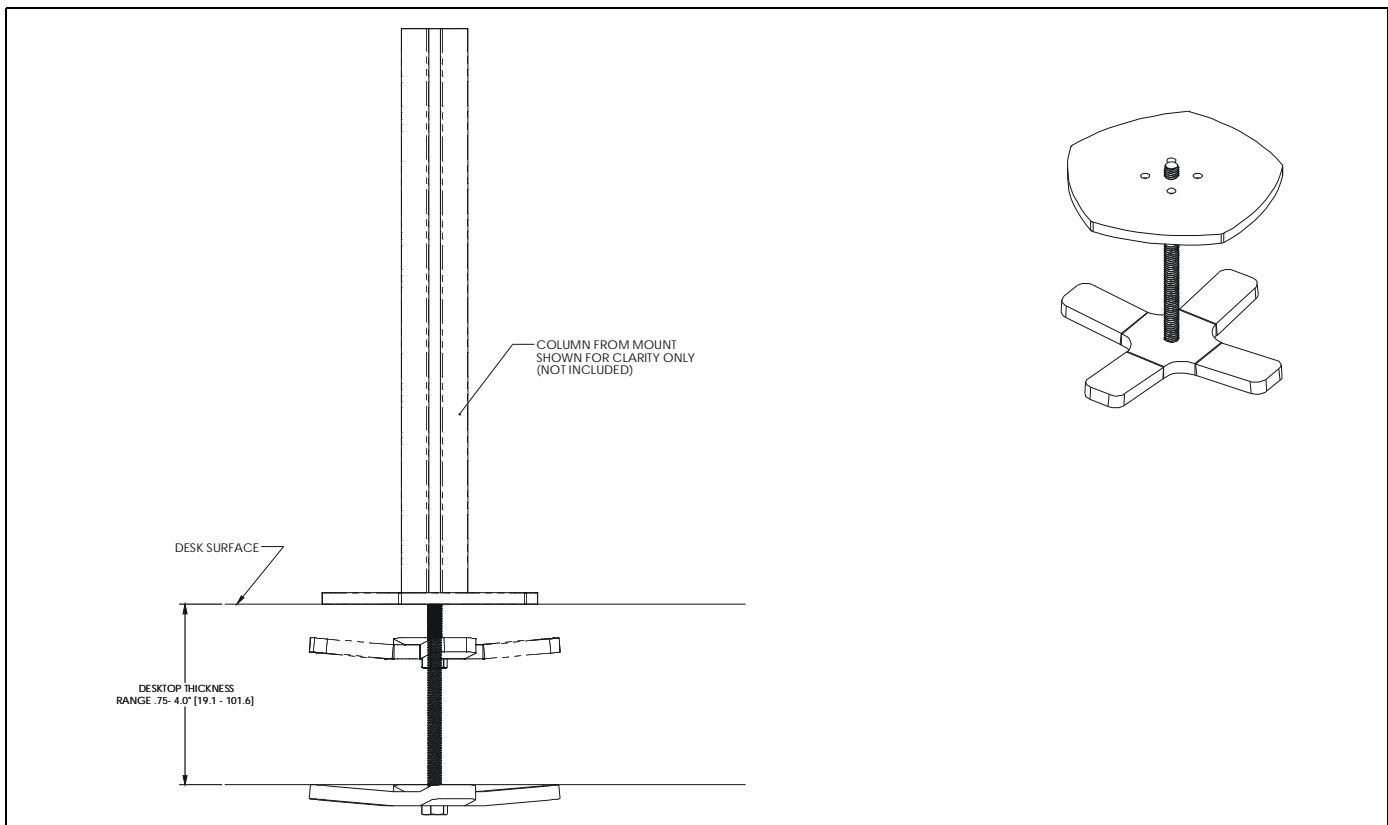


IMPORTANT WARNINGS AND CAUTIONS!

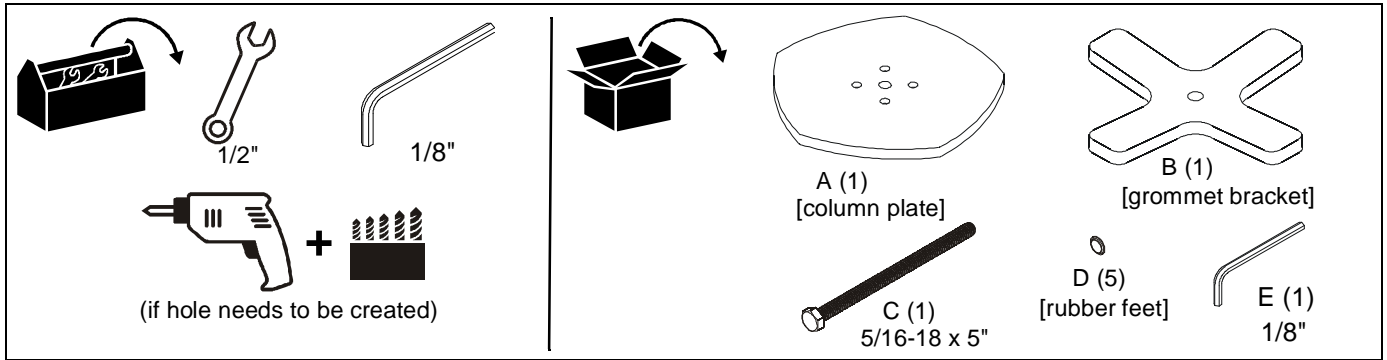


WARNING: A WARNING alerts you to the possibility of serious injury or death if you do not follow the instructions.

DIMENSIONS



TOOLS / PARTS FOR INSTALLATION



ASSEMBLY AND INSTALLATION

1. Remove desk clamp from mount by removing four flat head cap screws until clamp is disconnected from column. (See Figure 1)

NOTE: Lower portion of clamp may need to be lowered or removed in order to gain access to these screws.

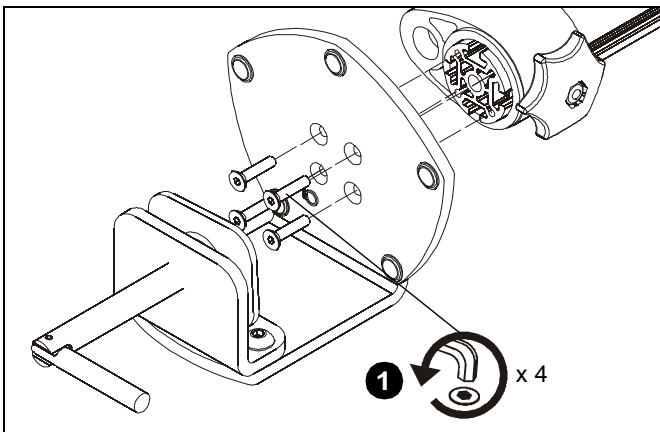


Figure 1

2. Use four screws removed in Step 1 to column plate (A) to column. (See Figure 2)
3. Affix five rubber feet (D) to column plate (A). (See Figure 2)

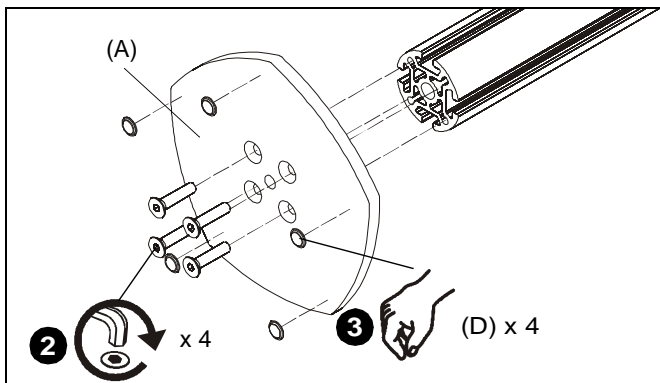


Figure 2

4. If mounting hole does not already exist on desk, drill mounting hole in desk at desired mounting location.

IMPORTANT ! : Mounting hole must be a minimum of 5/16" in diameter and a maximum of 2"!

5. Position mount on desk so that center hole of column plate (A) is centered over grommet hole. (See Figure 3)
6. Insert 5/16-18 x 5" bolt (C) through grommet bracket (B), grommet hole and thread into center hole on underside of column plate (A). (See Figure 3)

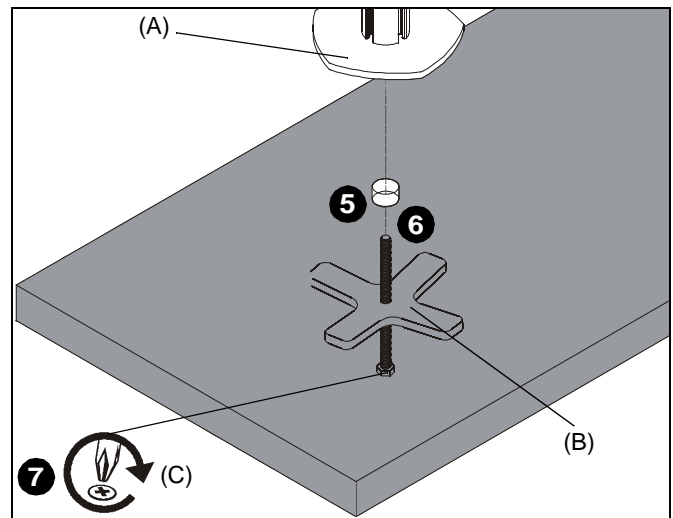


Figure 3

7. Tighten 5/16-18 x 5" bolt (C) until grommet bracket (B) is tightened against underside of desk and column mount is securely mounted to desk. (See Figure 3)
8. Complete the installation following the mount installation instructions.



Our Mounts. **Your Vision.**

Chief Manufacturing, a products division
of Milestone AV Technologies

8800-002073 Rev00
©2011 Milestone AV Technologies, a
Duchossois Group Company
www.chiefmfg.com
02/11

USA/International	A 8401 Eagle Creek Parkway, Savage, MN 55378 P 800.582.6480 / 952.894.6280 F 877.894.6918 / 952.894.6918
Europe	A Fellenoord 130 5611 ZB EINDHOVEN, The Netherlands P +31 (0)40 2668620 F +31 (0)40 2668615
Asia Pacific	A Office No. 1 on 12/F, Shatin Galleria 18-24 Shan Mei Street Fotan, Shatin, Hong Kong P 852 2145 4099 F 852 2145 4477

