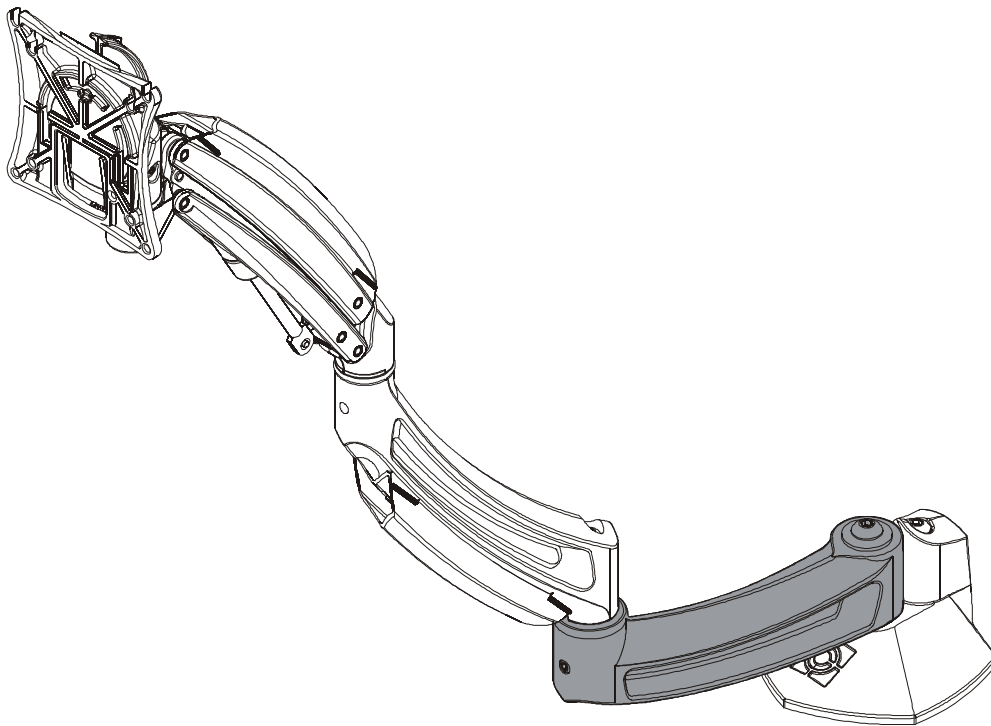

INSTALLATION INSTRUCTIONS



Kontour™ Extension Arm

DISCLAIMER

Milestone AV Technologies and its affiliated corporations and subsidiaries (collectively "Milestone"), intend to make this manual accurate and complete. However, Milestone makes no claim that the information contained herein covers all details, conditions or variations, nor does it provide for every possible contingency in connection with the installation or use of this product. The information contained in this document is subject to change without notice or obligation of any kind. Milestone makes no representation of warranty, expressed or implied, regarding the information contained herein. Milestone assumes no responsibility for accuracy, completeness or sufficiency of the information contained in this document.

Chief® and Kontour™ are registered trademarks of Milestone AV Technologies. All rights reserved.

! IMPORTANT SAFETY INSTRUCTIONS!

! WARNING: A WARNING alerts you to the possibility of serious injury or death if you do not follow the instructions.

! CAUTION: A CAUTION alerts you to the possibility of damage or destruction of equipment if you do not follow the corresponding instructions.

! WARNING: Failure to read, thoroughly understand, and follow all instructions can result in serious personal injury, damage to equipment, or voiding of factory warranty! It is the installer's responsibility to make sure all components are properly assembled and installed using the instructions provided.

! WARNING: Use this mounting system only for its intended use as described in these instructions. Do not use attachments not recommended by the manufacturer.

! WARNING: Never operate this mounting system if it is damaged. Return the mounting system to a service center for examination and repair.

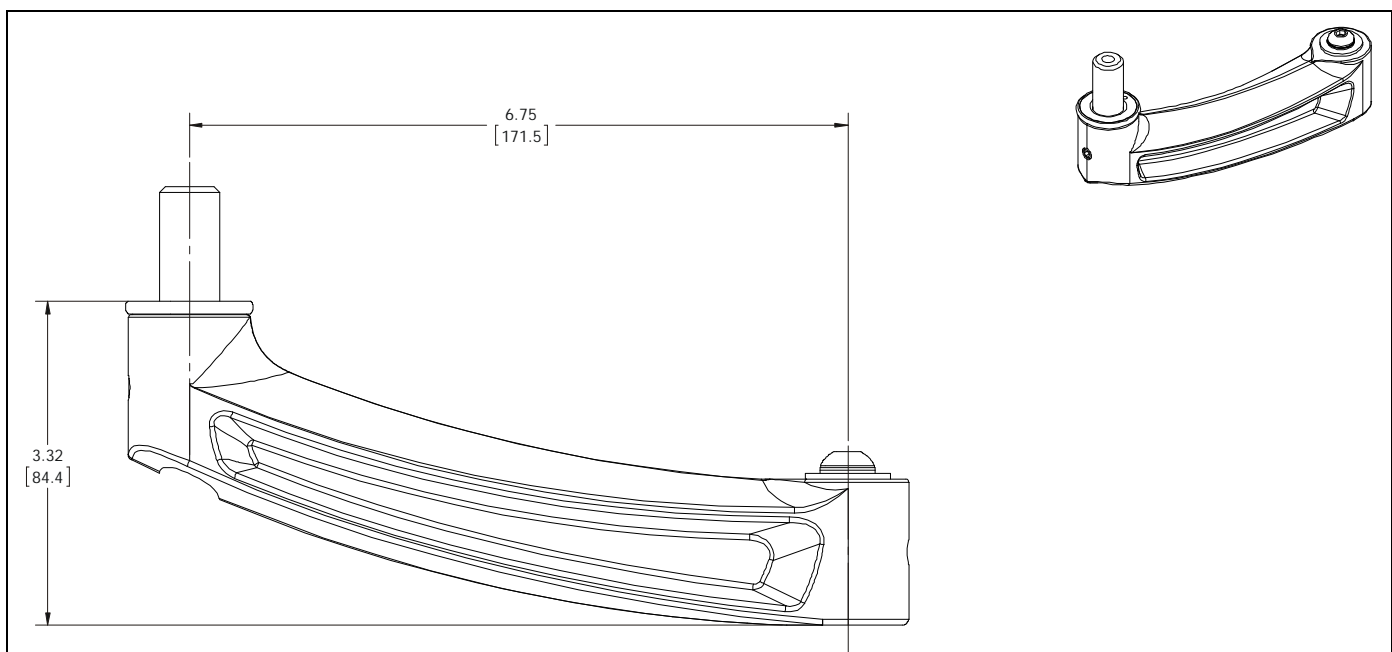
! WARNING: Exceeding the weight capacity can result in serious personal injury or damage to equipment! It is the installer's responsibility to make sure the combined weight of all components located between the K1D100/200 Monitor Arm up to (and including) the display does not exceed 20 lbs (9.07 kg) per arm when using the KRA208 extension arm. Use with products heavier than the maximum weight indicated may result in collapse of the mount and its accessories causing possible injury.

IMPORTANT ! : The KRA208 extension arm is only designed to be attached to the K1D100 and K1D200 Kontour™ arms. Do NOT attach the KRA208 to any other mounting arm!

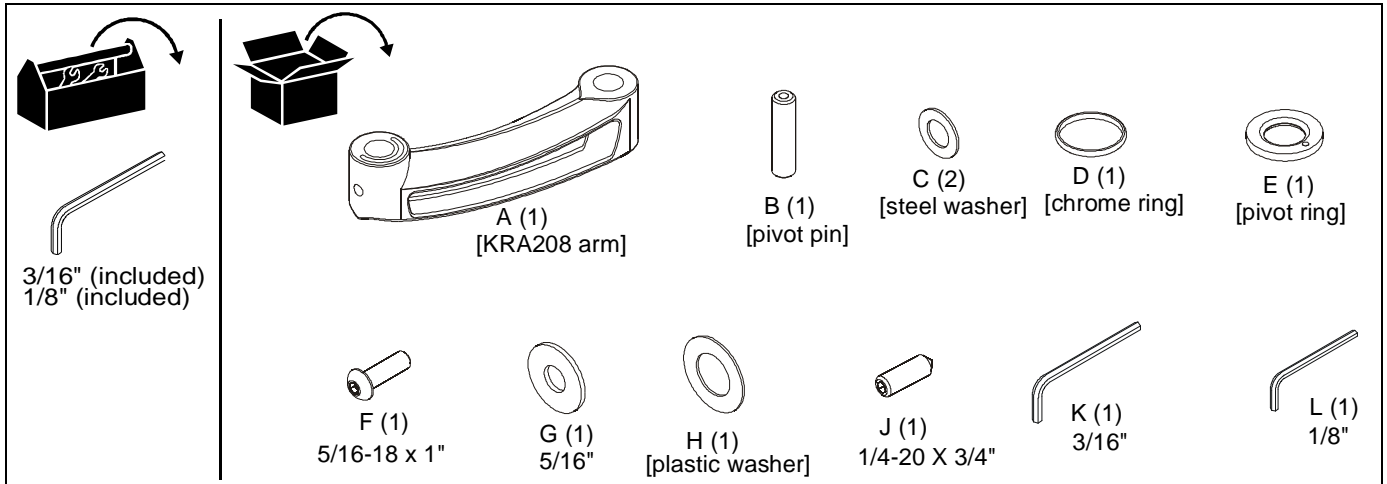
! WARNING: Do not use this product outdoors.

--SAVE THESE INSTRUCTIONS--

DIMENSIONS



TOOLS / PARTS FOR INSTALLATION



ASSEMBLY AND INSTALLATION

1. If already installed, remove display from Kontour™ arm using quick connect faceplate.

WARNING: Exceeding the weight capacity can result in serious personal injury or damage to equipment! It is the installer's responsibility to make sure the combined weight of all components located between the K1D100/200 Monitor Arm up to (and including) the display does not exceed 20 lbs (9.07 kg) per arm when using the KRA208 extension arm. Use with products heavier than the maximum weight indicated may result in collapse of the mount and its accessories causing possible injury.

2. Disassemble mounting arm of Kontour™ mount by unscrewing button head cap screw and removing three assembled washers. (See Figure 1)
3. Remove arm from pin by lifting arm off of pin. (See Figure 1) Set arm and removed hardware aside for reuse.

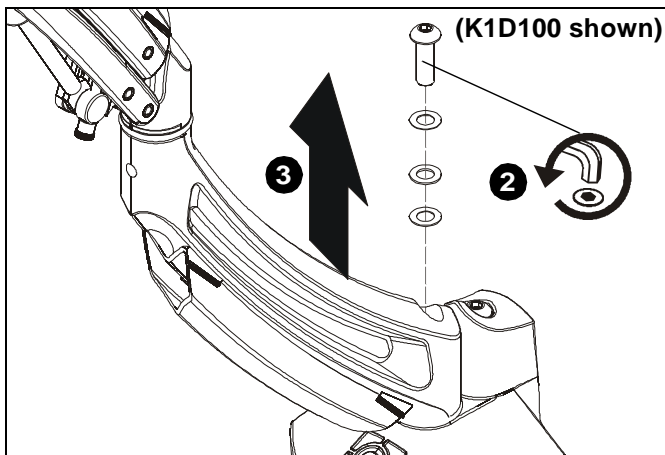


Figure 1

4. Use 5/16-18 x 1" button head cap screw (F), two steel washers (C), plastic washer (H) and 5/16" washer (G) to secure KRA208 arm (A) to pin on base of Kontour™ mount. Follow the exact order shown in Figure 2. (See Figure 2)
5. Place chrome ring (D) and pivot ring (E) on outer hole of extension arm (A). (See Figure 2)

6. Use 1/4-20 x 3/4" set screw (J) to secure pivot pin (B) to extension arm (A). (See Figure 2)

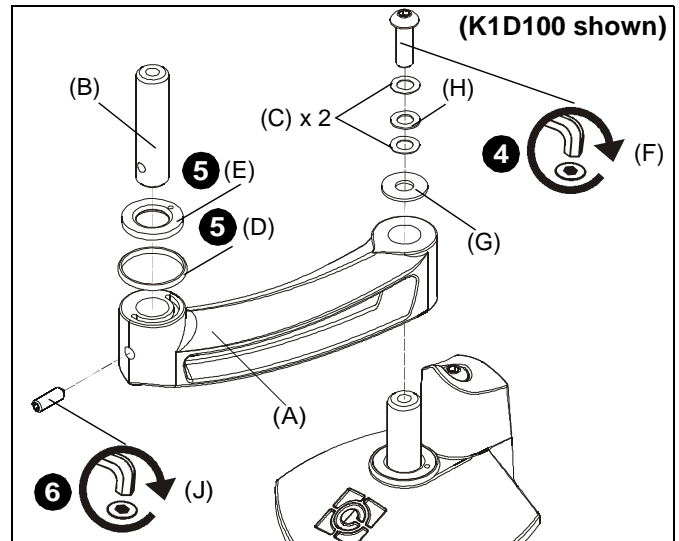


Figure 2

7. Use hardware removed in Step 2 to attach removed arm onto extension arm pin (B). (See Figure 3)

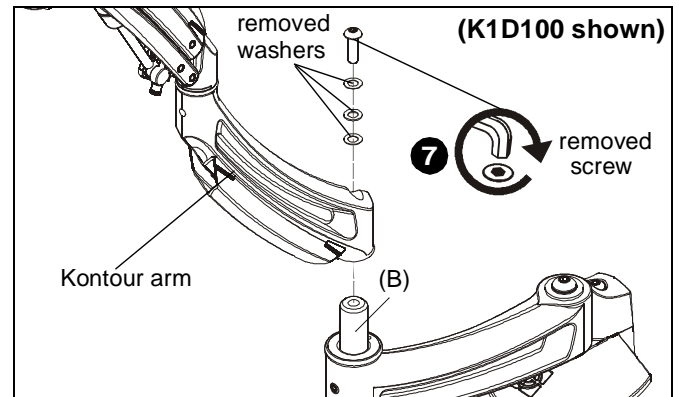


Figure 3

8. Install display to Kontour™ arm using quick connect faceplate.



Our Mounts. **Your Vision.**

Chief Manufacturing, a products division
of Milestone AV Technologies

8800-002191 Rev00
©2012 Milestone AV Technologies, a
Duchossois Group Company
www.chiefmfg.com
07/12

USA/International	A 6436 City West Parkway, Eden Prairie, MN 55344 P 800.582.6480 / 952.225.6000 F 877.894.6918 / 952.894.6918
Europe	A Franklinstraat 14, 6003 DK Weert, Netherlands P +31 (0) 495 580 852 F +31 (0) 495 580 845
Asia Pacific	A Office No. 1 on 12/F, Shatin Galleria 18-24 Shan Mei Street Fotan, Shatin, Hong Kong P 852 2145 4099 F 852 2145 4477

