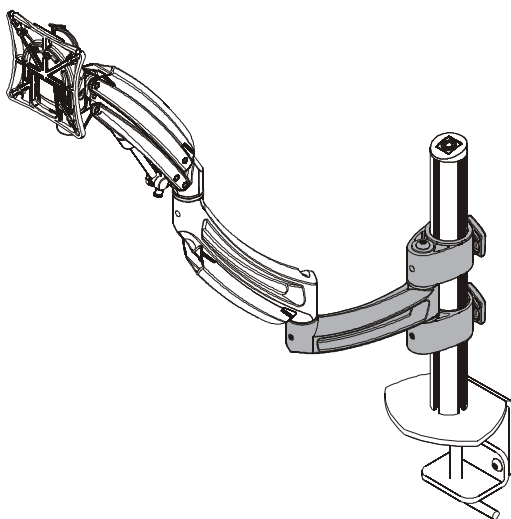


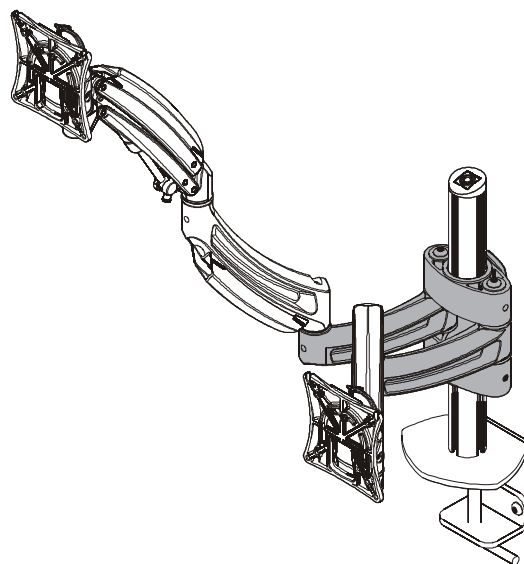
---

# INSTALLATION INSTRUCTIONS

---



KRA209



KRA210

---

## Kontour™ Column Mount Extension Arms

---

## DISCLAIMER

Milestone AV Technologies and its affiliated corporations and subsidiaries (collectively "Milestone"), intend to make this manual accurate and complete. However, Milestone makes no claim that the information contained herein covers all details, conditions or variations, nor does it provide for every possible contingency in connection with the installation or use of this product. The information contained in this document is subject to change without notice or obligation of any kind. Milestone makes no representation of warranty, expressed or implied, regarding the information contained herein. Milestone assumes no responsibility for accuracy, completeness or sufficiency of the information contained in this document.

Chief® is a registered trademark of Milestone AV Technologies. All rights reserved.



**WARNING:** Use this mounting system only for its intended use as described in these instructions. Do not use attachments not recommended by the manufacturer.



**WARNING:** Never operate this mounting system if it is damaged. Return the mounting system to a service center for examination and repair.



**WARNING:** Do not use this product outdoors.

**--SAVE THESE INSTRUCTIONS--**



## IMPORTANT SAFETY INSTRUCTIONS



**WARNING:** A WARNING alerts you to the possibility of serious injury or death if you do not follow the instructions.



**CAUTION:** A CAUTION alerts you to the possibility of damage or destruction of equipment if you do not follow the corresponding instructions.



**WARNING:** Failure to read, thoroughly understand, and follow all instructions can result in serious personal injury, damage to equipment, or voiding of factory warranty! It is the installer's responsibility to make sure all components are properly assembled and installed using the instructions provided.

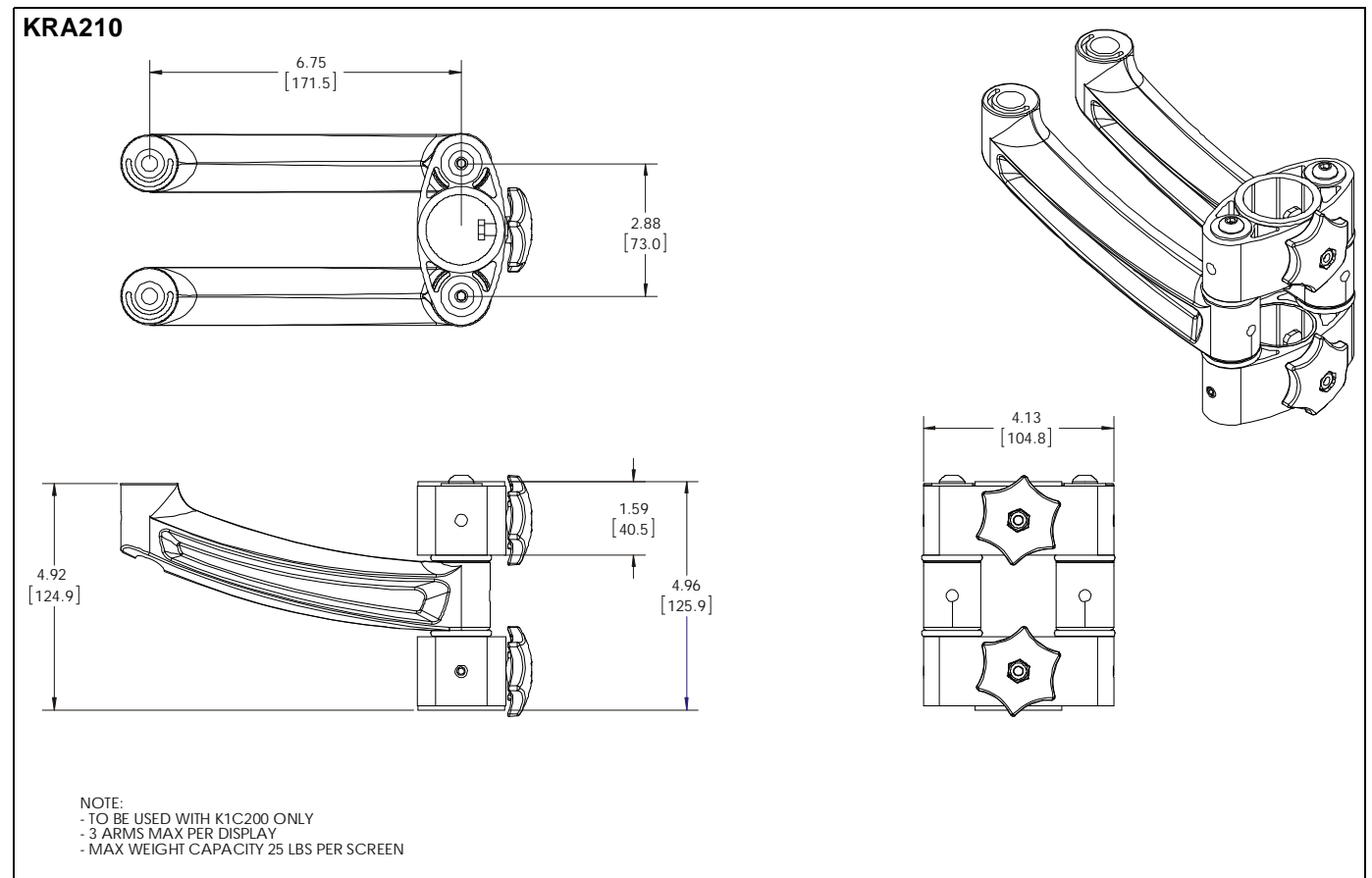
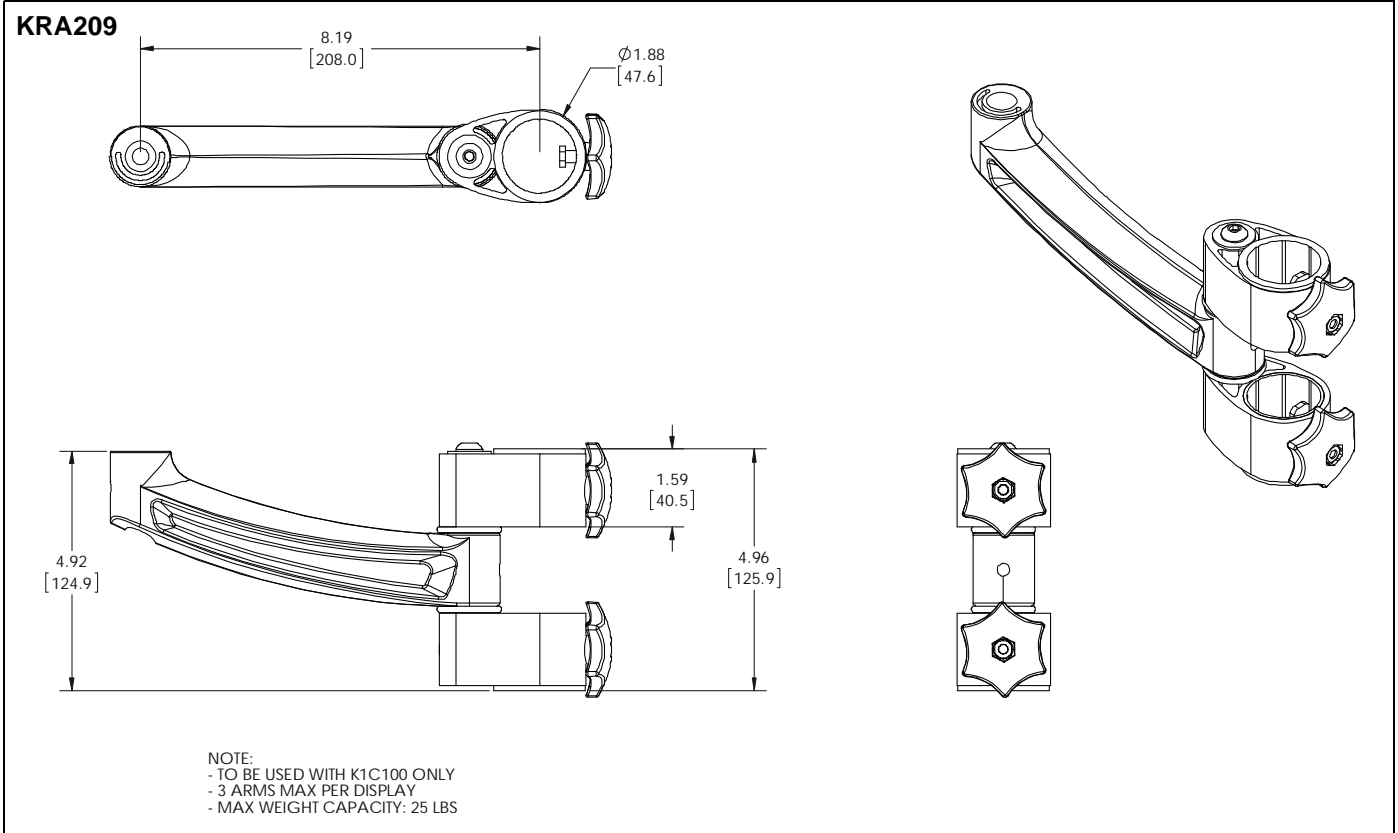


**WARNING:** Failure to provide adequate structural strength for this component can result in serious personal injury or damage to equipment! It is the installer's responsibility to make sure the structure to which this component is attached can support five times the combined weight of all equipment. Reinforce the structure as required before installing the component.



**WARNING:** Exceeding the weight capacity can result in serious personal injury or damage to equipment! It is the installer's responsibility to make sure the combined weight of all components located between the KRA209/210 extension arm up to (and including) the display does not exceed 25 lbs (11.34 kg) per arm. Use with products heavier than the maximum weight indicated may result in collapse of the mount and its accessories causing possible injury.

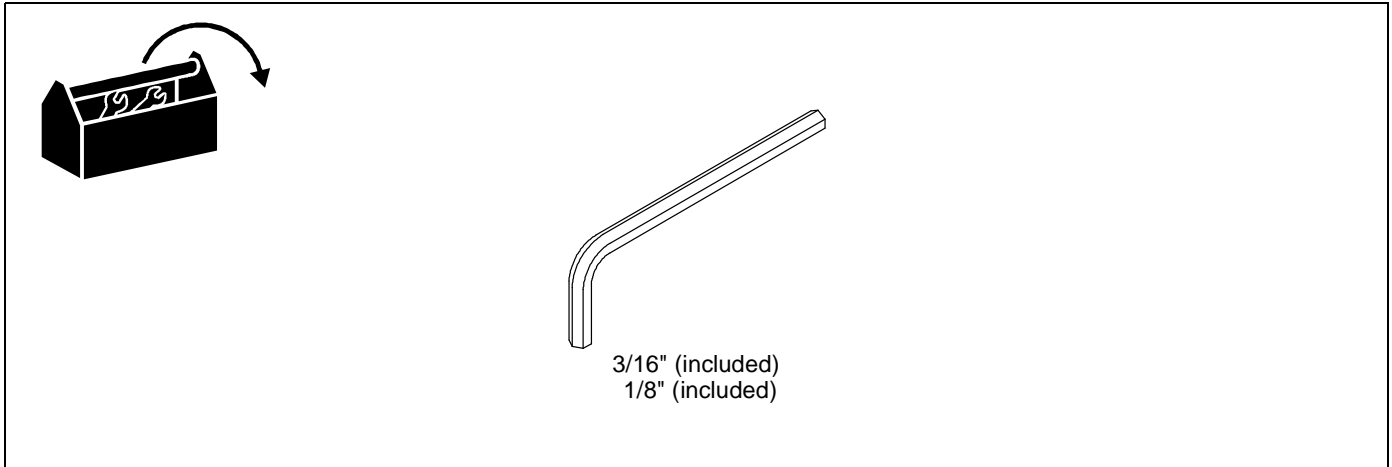
**DIMENSIONS**



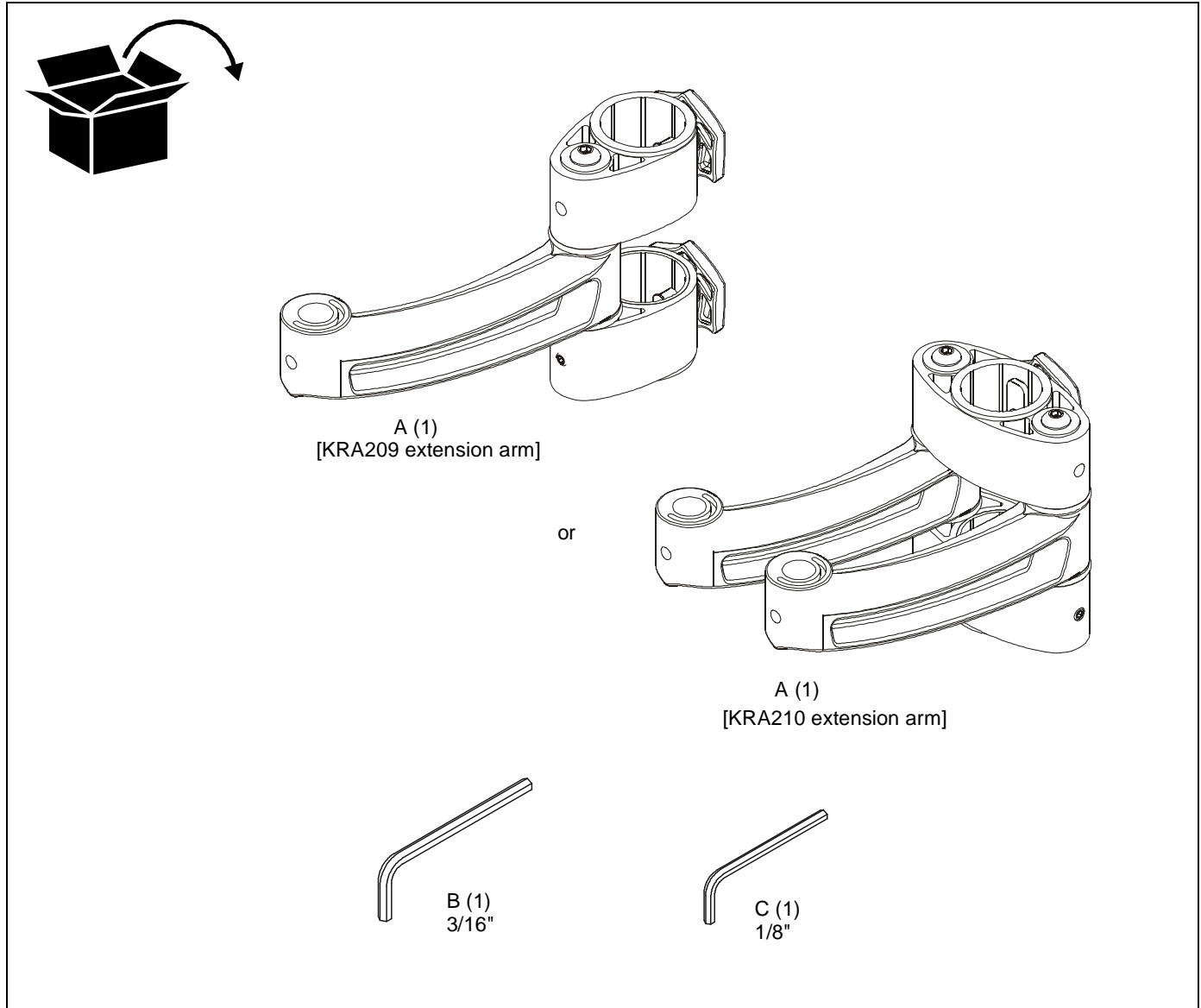
## LEGEND

	<b>Tighten Fastener</b> Apretar elemento de fijación Befestigungsteil festziehen Apertar fixador Serrare il fissaggio Bevestiging vastdraaien Serrez les fixations		<b>Pencil Mark</b> Marcar con lápiz Stiftmarkierung Marcar com lápis Segno a matita Potloodmerkteken Marquage au crayon
	<b>Loosen Fastener</b> Aflojar elemento de fijación Befestigungsteil lösen Desapertar fixador Allentare il fissaggio Bevestiging losdraaien Desserrez les fixations		<b>Drill Hole</b> Perforar Bohrloch Fazer furo Praticare un foro Gat boren Percez un trou
	<b>Phillips Screwdriver</b> Destornillador Phillips Kreuzschlitzschraubendreher Chave de fendas Phillips Cacciavite a stella Kruiskopschroevendraaier Tournevis à pointe cruciforme		<b>Adjust</b> Ajustar Einstellen Ajustar Regolare Afstellen Ajuster
	<b>Open-Ended Wrench</b> Llave de boca Gabelschlüssel Chave de bocas Chiave a punte aperte Steeksleutel Clé à fourche		<b>Remove</b> Quitar Entfernen Remover Rimuovere Verwijderen Retirez
	<b>By Hand</b> A mano Von Hand Com a mão A mano Met de hand À la main		<b>Optional</b> Opcional Optional Opcional Opzionale Optie En option
	<b>Hex-Head Wrench</b> Llave de cabeza hexagonal Sechskantschlüssel Chave de cabeça sextavada Chiave esagonale Zeskantsleutel Clé à tête hexagonale		<b>Security Wrench</b> Llave de seguridad Sicherheitsschlüssel Chave de segurança Chiave di sicurezza Veiligheidsleutel Clé de sécurité

### TOOLS REQUIRED FOR INSTALLATION



### PARTS



### Assembly And Installation

**IMPORTANT !** : KRA209/210 extension arms are designed specifically for use with Chief's K1C100 and K1C200 mounting arms. Do NOT use with any other mounting system!

#### K1 Series Mount Disassembly

1. Remove top cap from column mount assembly. (See Figure 1)
2. Turn column height adjustment knob counter-clockwise to loosen mount on column. (See Figure 1)
3. Slide mount off of column. (See Figure 1)

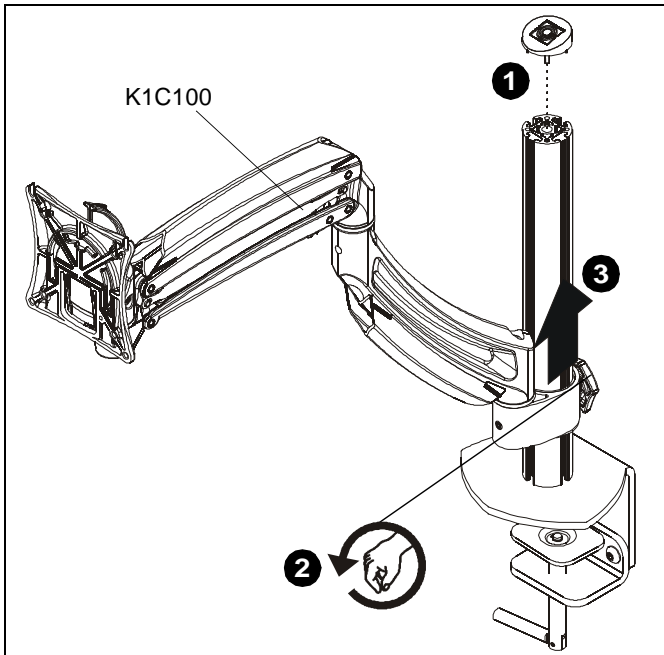


Figure 1

4. Remove set screw from column support section of K1 Series mount. Set aside set screw for re-use. (See Figure 2)
5. Pull column support section for K1 Series mount off of main assembly. (See Figure 2)

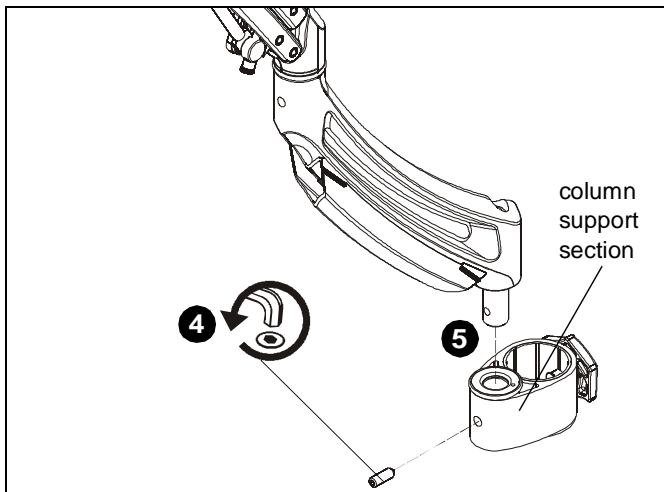


Figure 2

#### KRA209/210 Installation

1. Install K1 Series mount into opening at end of KRA209/210 extension arm. (See Figure 3)
2. Use removed set screw to secure K1 Series mount to KRA209/210 extension arm. (See Figure 3)

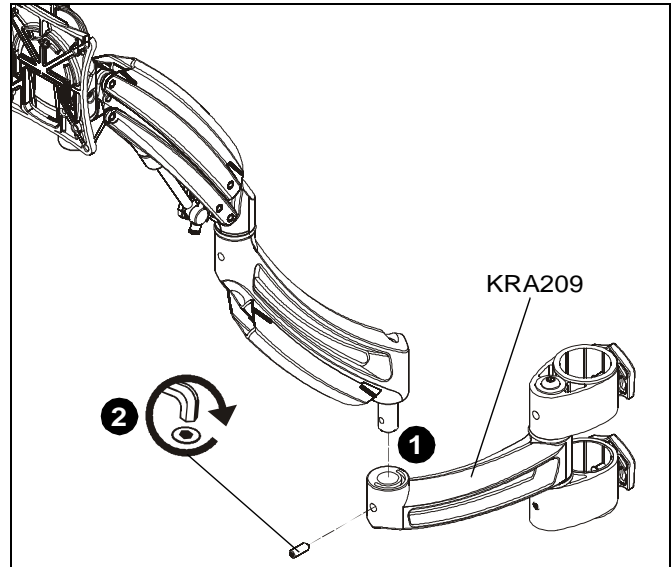


Figure 3

3. Slide KRA209/210 extension arm onto K1 Series mount's column. (See Figure 4)
4. Turn height-adjustment knobs on KRA209/210 clockwise to secure mount in place at desired mounting height. (See Figure 4)
5. Replace removed top cap from column. (See Figure 4)

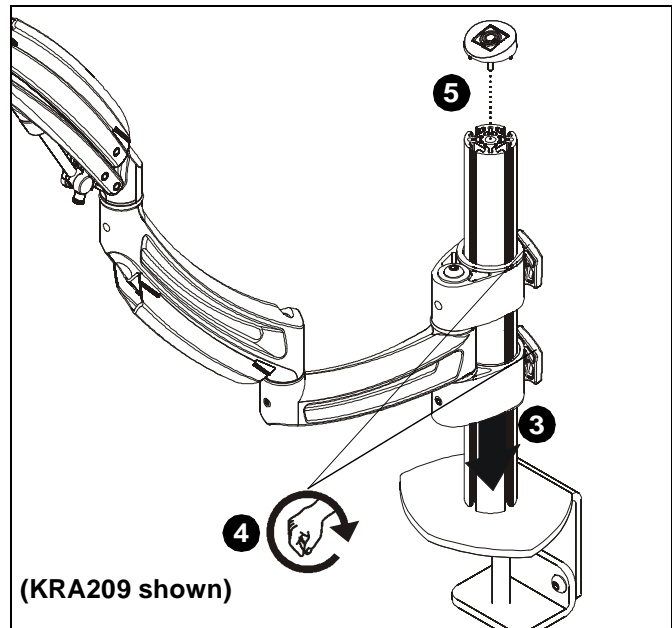


Figure 4

**Adjustments**

**NOTE:** These installation instructions only cover adjustments specific to the KRA209/210 extension arms. Refer to K1 Series Installation Instructions of additional adjustment options available with K1 Series mounts.

**Height Adjustment**

1. Loosen height adjustment knobs on KRA209/210 mount by turning knobs counter-clockwise. (See Figure 5)
2. Adjust mount to desired mounting height. (See Figure 5)
3. Tighten height adjustment knobs on KRA209/210 mount by turning knobs clockwise. (See Figure 5)

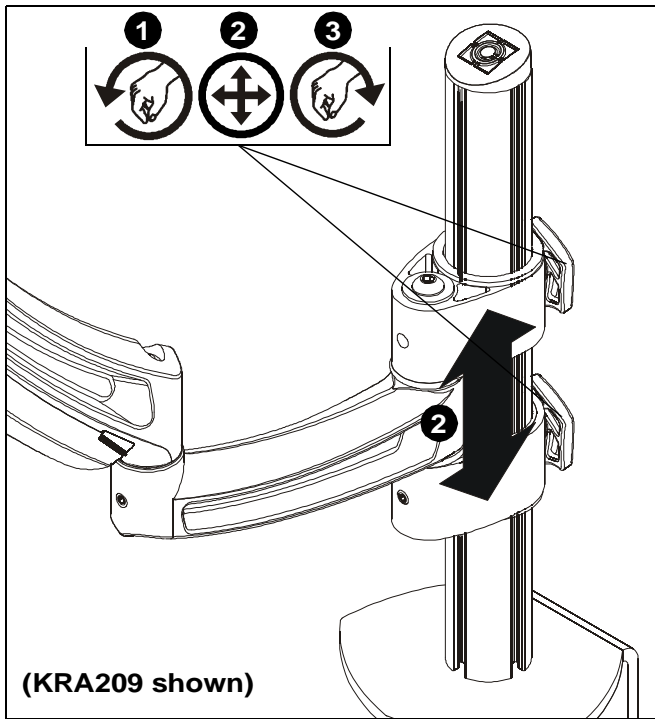


Figure 5

**Pivot Adjustment**

1. Adjust pivot position as desired.
2. Use 3/16" hex key (B) to adjust pivot point tension screws to change pivot adjustment tension. (See Figure 6)

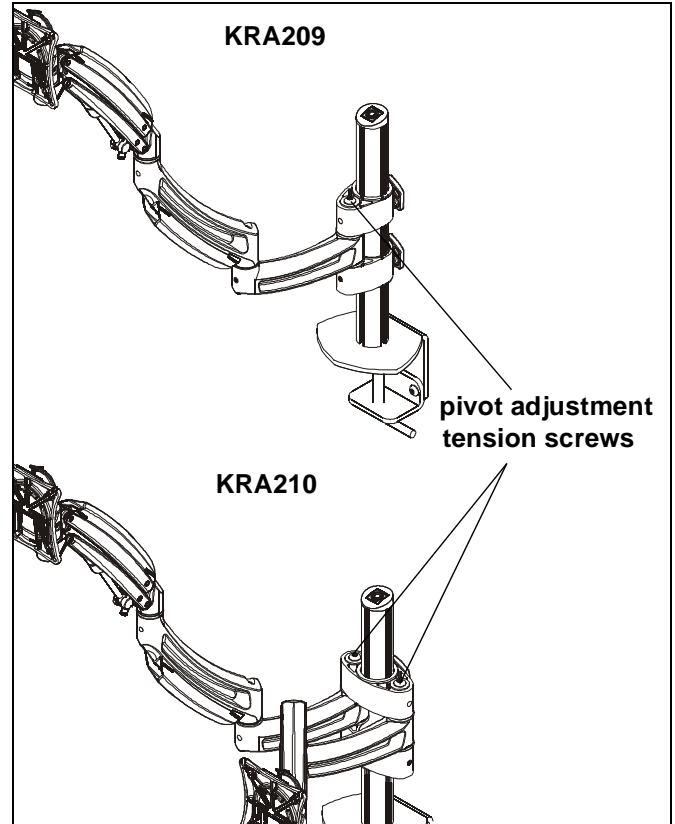


Figure 6



Our Mounts. **Your Vision.**

Chief Manufacturing, a products division  
of Milestone AV Technologies

8800-002224 Rev00  
©2012 Milestone AV Technologies, a  
Duchossois Group Company  
[www.chiefmfg.com](http://www.chiefmfg.com)  
08/12

<b>USA/International</b>	<b>A</b> 6436 City West Parkway, Eden Prairie, MN 55344 <b>P</b> 800.582.6480 / 952.225.6000 <b>F</b> 877.894.6918 / 952.894.6918
<b>Europe</b>	<b>A</b> Franklinstraat 14, 6003 DK Weert, Netherlands <b>P</b> +31 (0) 495 580 852 <b>F</b> +31 (0) 495 580 845
<b>Asia Pacific</b>	<b>A</b> Office No. 1 on 12/F, Shatin Galleria 18-24 Shan Mei Street Fotan, Shatin, Hong Kong <b>P</b> 852 2145 4099 <b>F</b> 852 2145 4477

