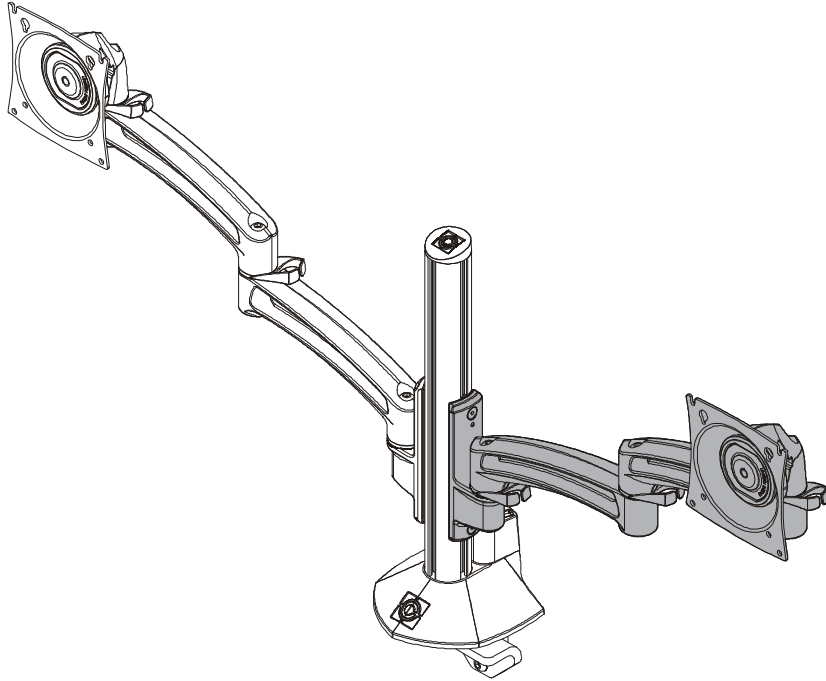


---

# INSTALLATION INSTRUCTIONS

---



---

## Kontour™ K2C Add-on Arm Accessory

---

## DISCLAIMER

Milestone AV Technologies and its affiliated corporations and subsidiaries (collectively "Milestone"), intend to make this manual accurate and complete. However, Milestone makes no claim that the information contained herein covers all details, conditions or variations, nor does it provide for every possible contingency in connection with the installation or use of this product. The information contained in this document is subject to change without notice or obligation of any kind. Milestone makes no representation of warranty, expressed or implied, regarding the information contained herein. Milestone assumes no responsibility for accuracy, completeness or sufficiency of the information contained in this document.

Chief® and Kontour™ are registered trademarks of Milestone AV Technologies. All rights reserved.

## DEFINITIONS

**WARNING:** A WARNING alerts you to the possibility of serious injury or death if you do not follow the instructions.

**CAUTION:** A CAUTION alerts you to the possibility of damage or destruction of equipment if you do not follow the corresponding instructions.

**MOUNTING SYSTEM:** A MOUNTING SYSTEM is the primary product designed by Chief® to mount the projector or display.

**ACCESSORY:** An ACCESSORY is any product designed by Chief® to complement the primary mounting system either by mounting any supporting components or enhancing the mounting capabilities of the primary mounting system.

**COMPONENT:** A COMPONENT is any secondary product to be mounted to an accessory, i.e. speakers, CPU's, cameras, tablets, additional displays.



## IMPORTANT SAFETY INSTRUCTIONS!



**WARNING:** Failure to read, thoroughly understand, and follow all instructions can result in serious personal injury, damage to equipment, or voiding of factory warranty! It is the installer's responsibility to make sure all components are properly assembled and installed using the instructions provided.



**WARNING:** Exceeding the weight capacity can result in serious personal injury or damage to equipment! It is the installer's responsibility to make sure the combined weight of all components between each KRA222 arm and the desk up to (and including) the display does not exceed the weight limits listed in the table below. Use with products heavier than the maximum weight indicated may result in collapse of the mount and its accessories causing possible injury.

CONFIGURATION	Max Weight Allowed for EACH Display	Max Weight Capacity of Mounting System
2-DISPLAY CONFIGURATION	25lbs (11.34 kg)	50 lbs (22.68 kg)
3-DISPLAY CONFIGURATION	15 lbs (6.8 kg)	45 lbs (20.4 kg)
4-DISPLAY CONFIGURATION	10 lbs (4.54 kg)	40 lbs (18.14 kg)



**WARNING:** Use this accessory only for its intended use as described in these instructions. Do not use attachments not recommended by the manufacturer.



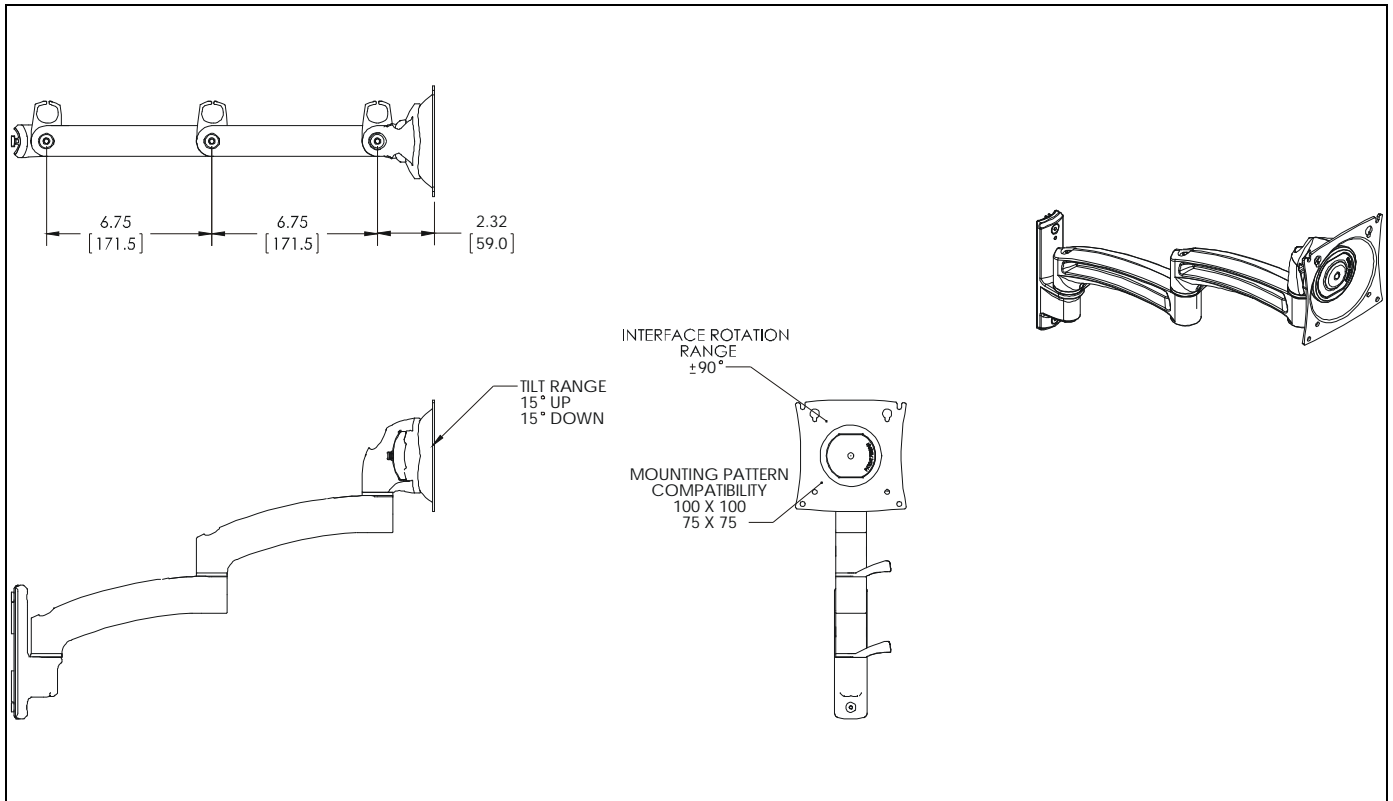
**WARNING:** Never operate this accessory if it is damaged. Return the accessory to a service center for examination and repair.



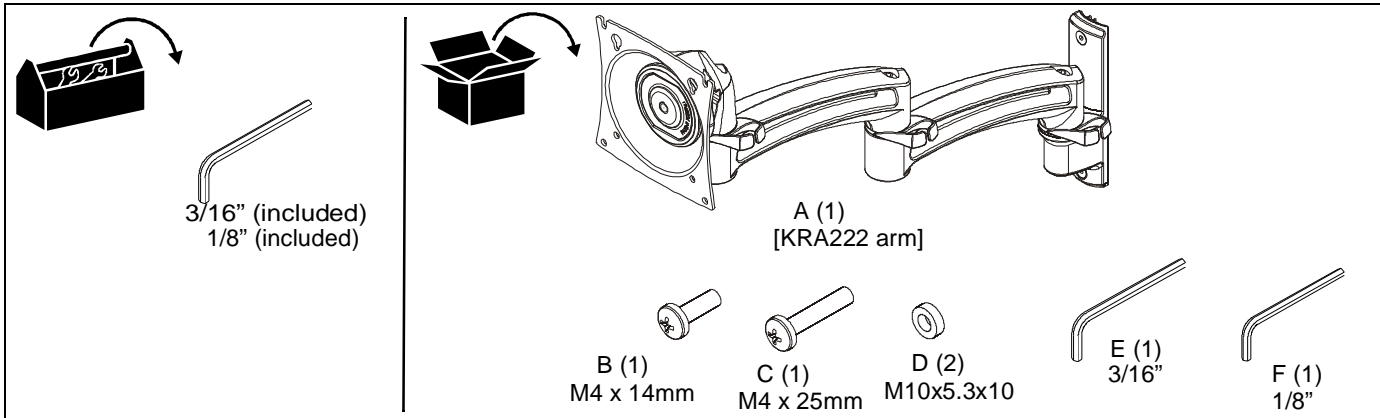
**WARNING:** Do not use this product outdoors.

**--SAVE THESE INSTRUCTIONS--**

### DIMENSIONS



## TOOLS / PARTS FOR INSTALLATION



## ASSEMBLY AND INSTALLATION

The KRA222 add-on display can be used to create two display, three display or four display configurations. The installation steps vary slightly for each configuration. In order to create a four display configuration, the KRA226 grommet accessory must be used as well.

### Two Display Configuration

**IMPORTANT !** : The only acceptable two display configuration is for the arms to be installed on opposite sides of the column! See Figure 3 for acceptable and non-acceptable configurations.

1. Remove cap from K2C column. (See Figure 1)
2. Loosen screws holding arm to column and slide arm off of column. (See Figure 1)

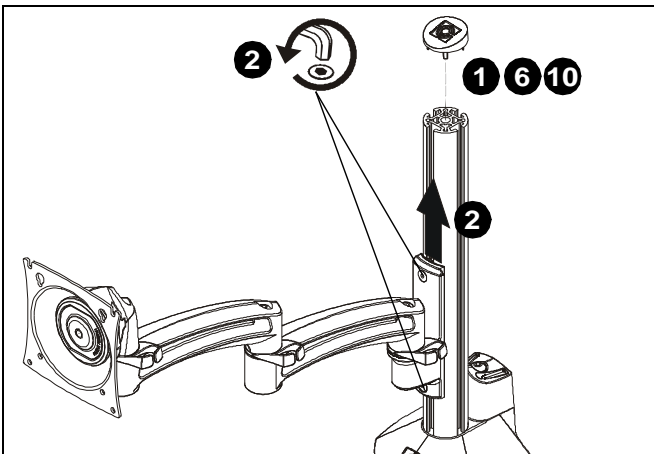


Figure 1

3. Slide KRA222 arm and removed arm onto K1C column on left and right sides of the column. (See Figure 2)
4. Tighten screws to secure each arm to column at desired mounting height. (See Figure 2)
5. Replace cap on top of column. (See Figure 2)

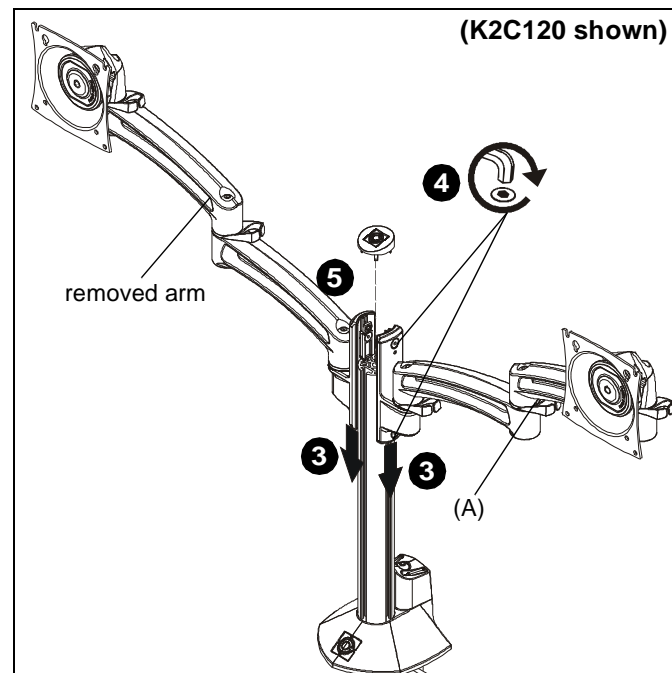


Figure 2

### Three Display Configuration

6. Remove cap from K2C column. (See Figure 1)

**NOTE:** If converting a K2C220 mount (dual arm) into a three display configuration, keep existing arms installed and add third column after removing the cap.

7. Slide two KRA222 arms onto K2C column on left and right sides of the column.
8. Tighten screws to secure each arm to column at desired mounting height.
9. Replace cap on top of column.

### Four Display Configuration

10. Remove cap from K2C column. (See Figure 1)
11. Use KRA226 accessory to install K2C mount to grommet hole. Refer to KRA226 installation instructions for details.
12. Slide three KRA222 arms onto K2C column on left side, right side and back of column.
13. Tighten screws to secure each arm to column at desired mounting height.
14. Replace cap on top of column.

CONFIGURATION	Max Weight Allowed for <u>EACH</u> Display	Max Weight Capacity of Mounting System
<b>2-DISPLAY CONFIGURATION</b>	25lbs (11.34 kg)	50 lbs (22.68 kg)
<b>3-DISPLAY CONFIGURATION</b>	15 lbs (6.8 kg)	45 lbs (20.4 kg)
<b>4-DISPLAY CONFIGURATION</b>	10 lbs (4.54 kg)	40 lbs (18.14 kg)

### Display Installation

1. Refer to K2C Series installation instructions to install displays to mounting arms.



**WARNING:** Exceeding the weight capacity can result in serious personal injury or damage to equipment! It is the installer's responsibility to make sure the combined weight of all components between each KRA222 arm and the desk up to (and including) the display does not exceed the weight limits listed in the table. Use with products heavier than the maximum weight indicated may result in collapse of the mount and its accessories causing possible injury.

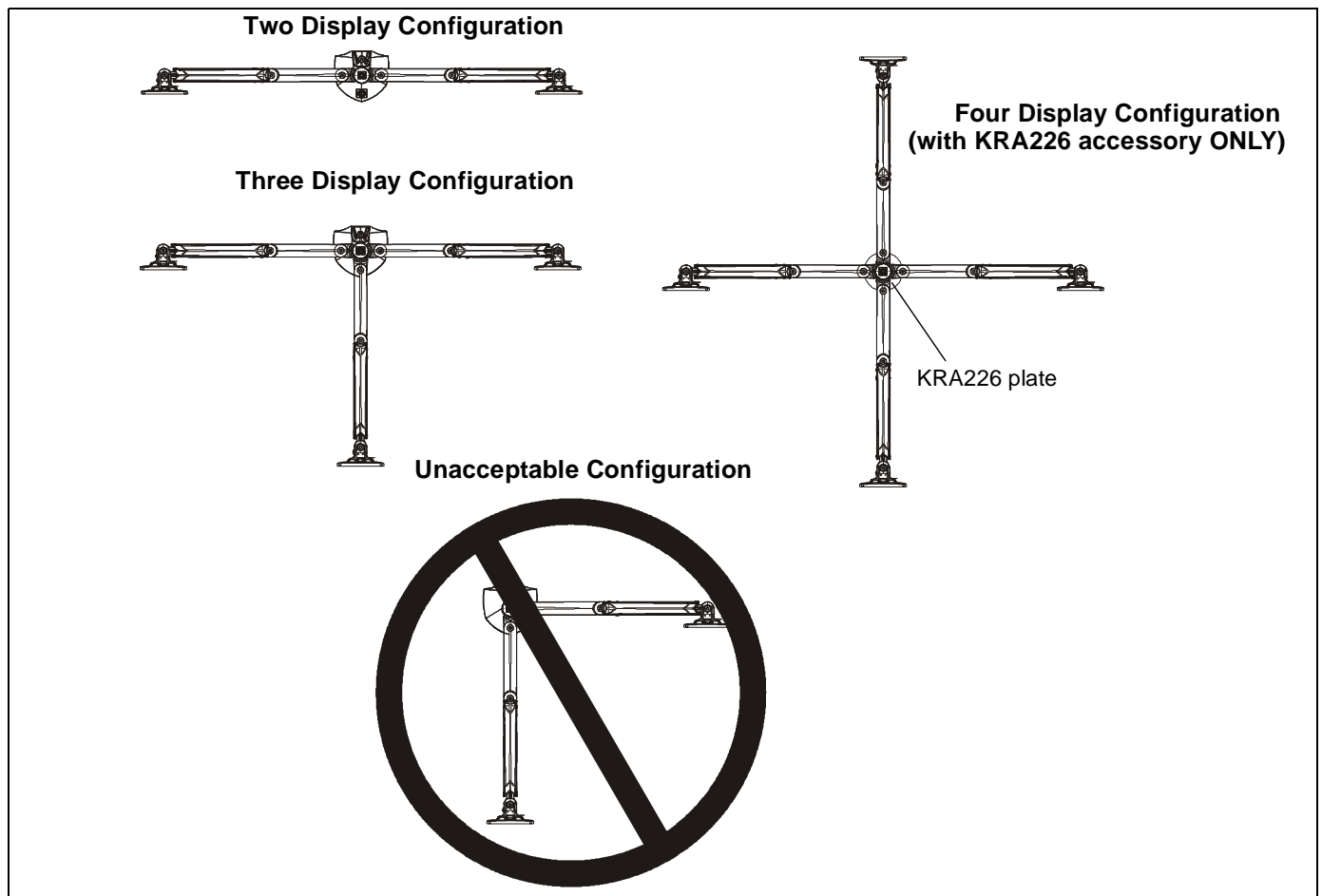


Figure 3

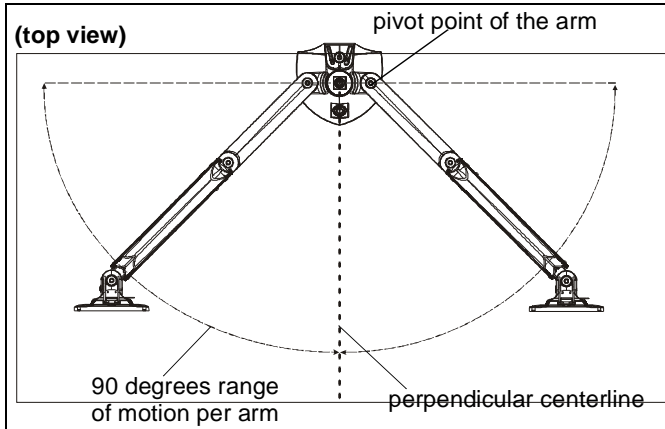
**Pivot Adjustment Range**

**Two Display Configuration**

1. Adjust arm angles as desired within a 90 degree range from the pivot point of the arm and a perpendicular centerline of mount. (See Figure 4)



**WARNING:** Swinging the arm beyond this range may result in the mount slipping of the desk causing serious injury!



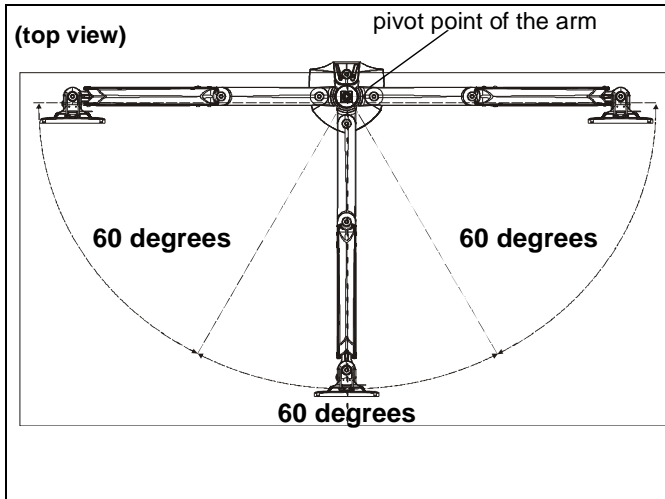
**Figure 4**

**Three Display Configuration**

1. Adjust arm angles as desired within a 60 degree range. (See Figure 5)



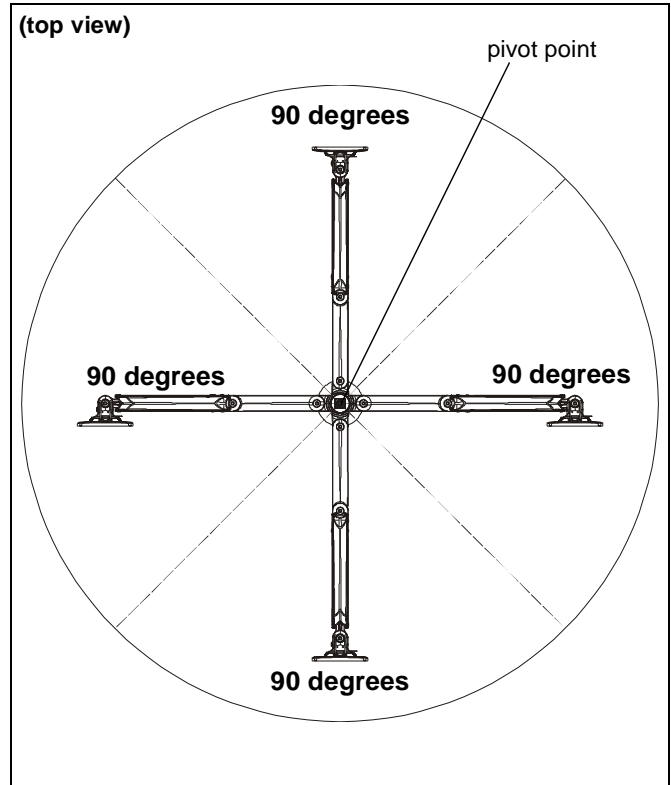
**WARNING:** Swinging the arm beyond this range may result in the mount slipping of the desk causing serious injury!



**Figure 5**

**Four-arm Configuration**

1. Adjust arm angles as desired within a 90 degree range. (See Figure 6)



**Figure 6**





Our Mounts. **Your Vision.**

Chief, a products division of  
Milestone AV Technologies

8800-002494 Rev01  
©2015 Milestone AV Technologies  
[www.chiefmfg.com](http://www.chiefmfg.com)  
12/15

<b>USA/International</b>	<b>A</b> 6436 City West Parkway, Eden Prairie, MN 55344 <b>P</b> 800.582.6480 / 952.225.6000 <b>F</b> 877.894.6918 / 952.894.6918
<b>Europe</b>	<b>A</b> Franklinstraat 14, 6003 DK Weert, Netherlands <b>P</b> +31 (0) 495 580 852 <b>F</b> +31 (0) 495 580 845
<b>Asia Pacific</b>	<b>A</b> Office No. 918 on 9/F, Shatin Galleria 18-24 Shan Mei Street Fotan, Shatin, Hong Kong <b>P</b> 852 2145 4099 <b>F</b> 852 2145 4477

