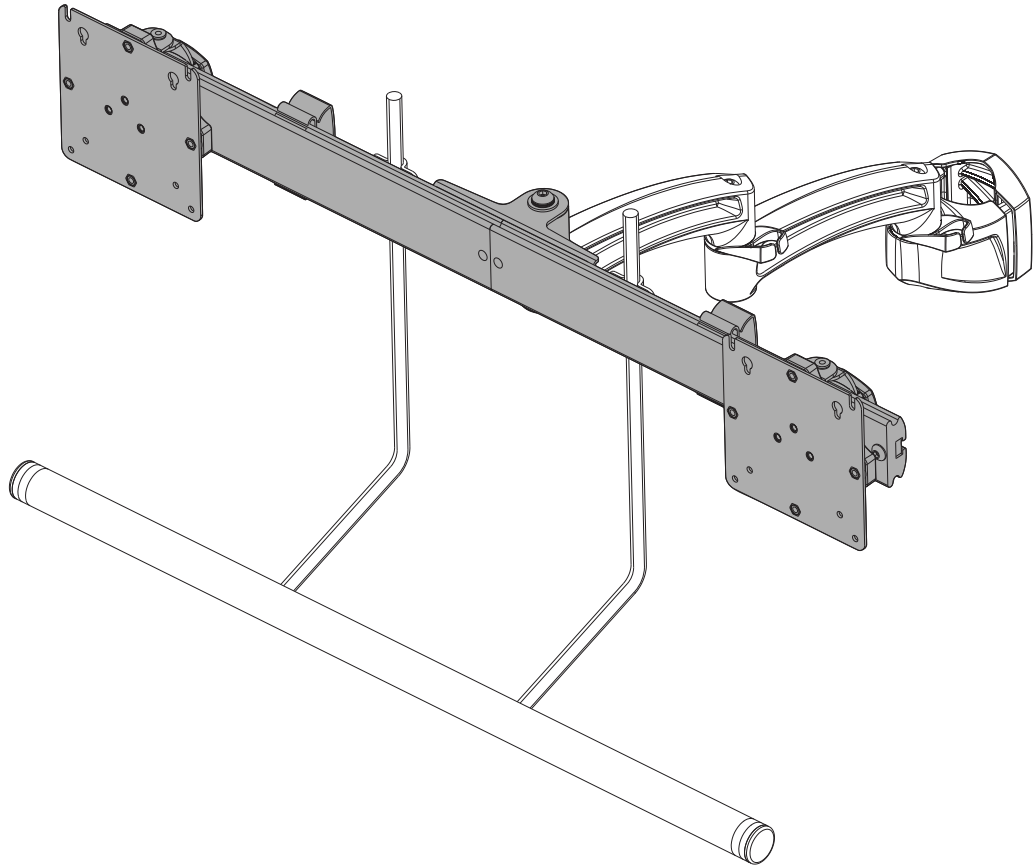

INSTALLATION INSTRUCTIONS



K1 and K2 Dual Monitor Array Bar

DISCLAIMER

Milestone AV Technologies and its affiliated corporations and subsidiaries (collectively "Milestone"), intend to make this manual accurate and complete. However, Milestone makes no claim that the information contained herein covers all details, conditions or variations, nor does it provide for every possible contingency in connection with the installation or use of this product. The information contained in this document is subject to change without notice or obligation of any kind. Milestone makes no representation of warranty, expressed or implied, regarding the information contained herein. Milestone assumes no responsibility for accuracy, completeness or sufficiency of the information contained in this document.

Chief® and Kontour™ are registered trademarks of Milestone AV Technologies. All rights reserved.

DEFINITIONS

MOUNTING SYSTEM: A MOUNTING SYSTEM is the primary Chief product to which an accessory and/or component is attached.

ACCESSORY: AN ACCESSORY is the secondary Chief product which is attached to a primary Chief product, and may have a component attached or setting on it.

COMPONENT: A COMPONENT is an audiovisual item designed to be attached or resting on an accessory or mounting system such as a video camera, CPU, screen, display, projector, etc.



WARNING: A WARNING alerts you to the possibility of serious injury or death if you do not follow the instructions.



CAUTION: A CAUTION alerts you to the possibility of damage or destruction of equipment if you do not follow the corresponding instructions.



IMPORTANT SAFETY INSTRUCTIONS!



WARNING: Failure to read, thoroughly understand, and follow all instructions can result in serious personal injury, damage to equipment, or voiding of factory warranty! It is the installer's responsibility to make sure all accessories are properly assembled and installed using the instructions provided.



WARNING: Use this accessory only for its intended use as described in these instructions. Do not use attachments not recommended by the manufacturer.



WARNING: Exceeding the weight capacity can result in serious personal injury or damage to equipment! It is the installer's responsibility to make sure the combined weight of all components located attached to the KRA223 Array Bar up to (and including) the display does not exceed the weight

limits listed in the table below. Use with products heavier than the maximum weight indicated may result in collapse of the mount and its accessories causing possible injury.

IMPORTANT ! : Weight limits listed in table assume KRA223 is the ONLY accessory added to a standard mount and is added to each monitor arm available. If using in combination with another accessory, contact Chief technical support for specific weight rating for that configuration.

MODEL w/ KRA223	Max Weight Allowed for <u>EACH</u> Display	Max Weight Capacity of Mounting System
K0P100	15 lbs (6.8 kg)	30 lbs (13.6 kg)
K0W100	15 lbs (6.8 kg)	30 lbs (13.6 kg)
K1C110	9 lbs (4.08 kg)	18 lbs (8.16 kg)
K1C120	9 lbs (4.08 kg)	18 lbs (8.16 kg)
K1C120SXF1	9 lbs (4.08 kg)	18 lbs (8.16 kg)
K1D120	9 lbs (4.08 kg)	18 lbs (8.16 kg)
K1D120XDL	9 lbs (4.08 kg)	18 lbs (8.16 kg)
K1P110	9 lbs (4.08 kg)	18 lbs (8.16 kg)
K1P120	9 lbs (4.08 kg)	18 lbs (8.16 kg)
K1S120	9 lbs (4.08 kg)	18 lbs (8.16 kg)
K1W120	9 lbs (4.08 kg)	18 lbs (8.16 kg)
K2C110	9 lbs (4.08 kg)	18 lbs (8.16 kg)
K2C120	9 lbs (4.08 kg)	18 lbs (8.16 kg)
K2C120SXF1	9 lbs (4.08 kg)	18 lbs (8.16 kg)
K2P110	15 lbs (6.8 kg)	30 lbs (13.6 kg)

MODEL w/ KRA223	Max Weight Allowed for <u>EACH</u> Display	Max Weight Capacity of Mounting System
K2P120	15 lbs (6.8 kg)	30 lbs (13.6 kg)
K2W110	15 lbs (6.8 kg)	30 lbs (13.6 kg)
K2W120	15 lbs (6.8 kg)	30 lbs (13.6 kg)
K1W110	9 lbs (4.08 kg)	18 lbs (8.16 kg)



WARNING: The KRA223 accessory is designed to be installed to any single arm configuration of the K1 or K2 Series. Do NOT install it to a dual arm system!



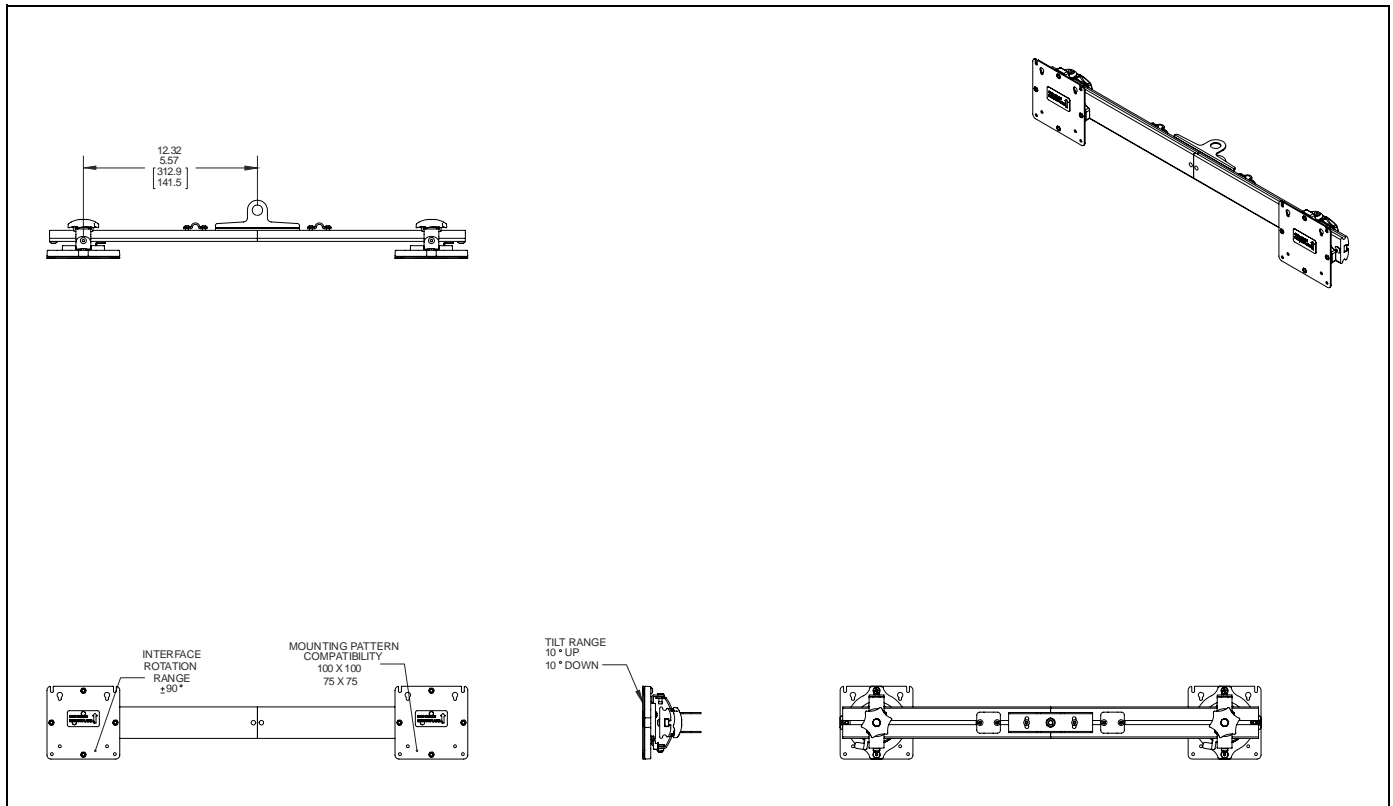
WARNING: Never operate this accessory if it is damaged. Return the accessory to a service center for examination and repair.



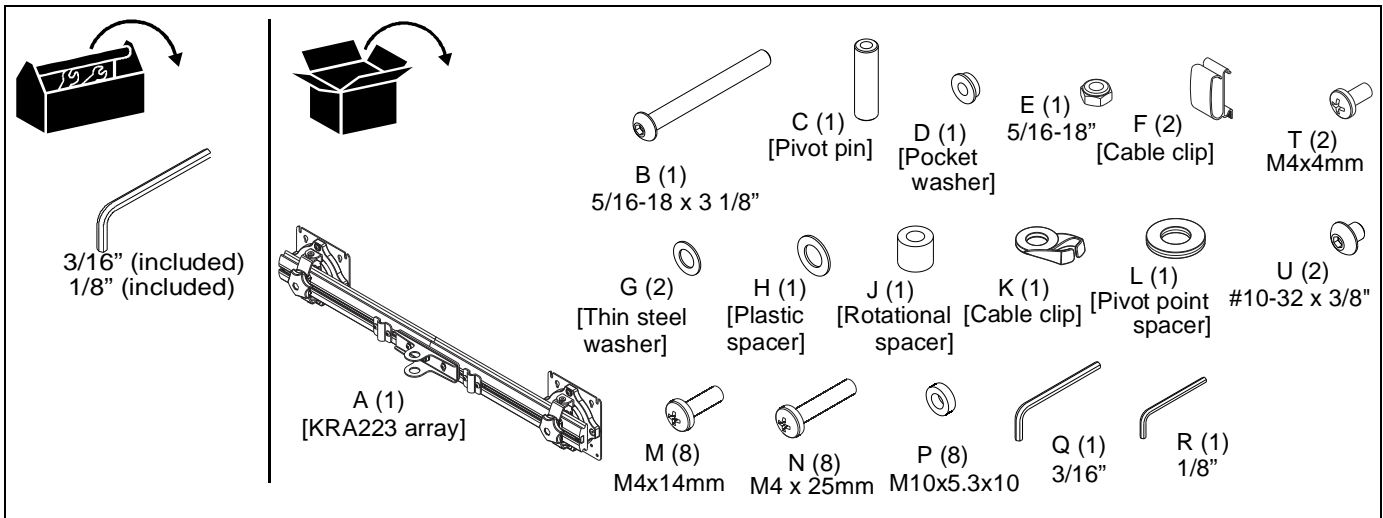
WARNING: Do not use this product outdoors.

--SAVE THESE INSTRUCTIONS--

DIMENSIONS



TOOLS / PARTS FOR INSTALLATION



ASSEMBLY AND INSTALLATION

1. Remove button head cap screw, washer, pivot pin and lock nut to disassemble head from mounting arm. All hardware may be discarded. (See Figure 1)

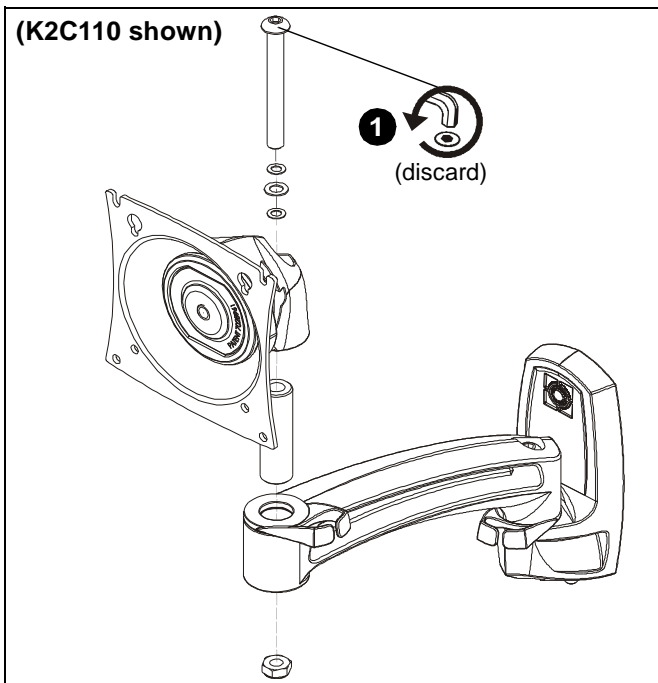


Figure 1

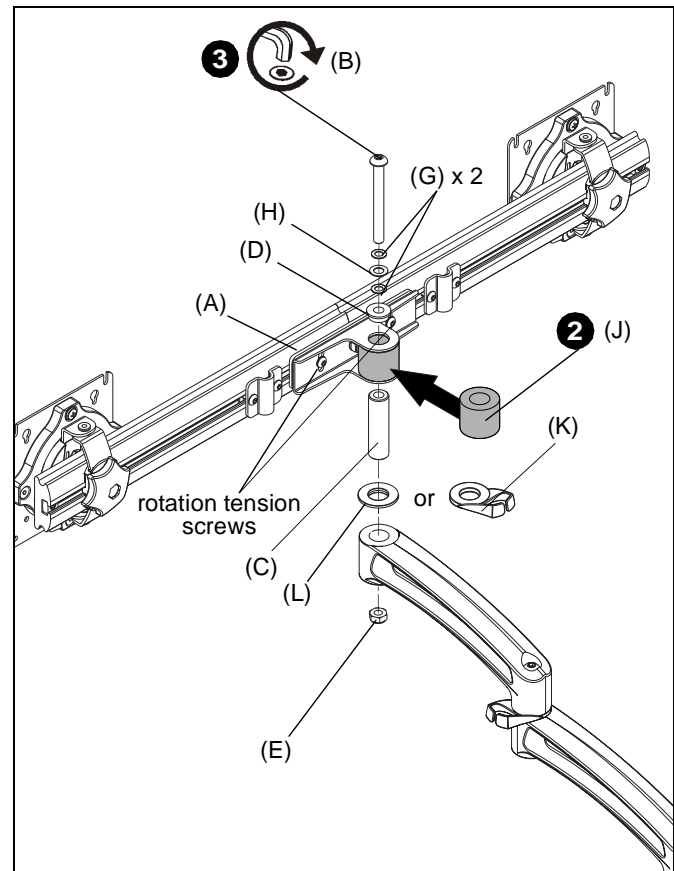


Figure 2

2. Slide rotational spacer (J) into opening on array attachment bracket. (See Figure 2)
3. Use 5/16-18 x 3 1/8" button head cap screw (B), two thin steel washers (G), plastic spacer (H), pocket washer (D), pivot pin (C), pivot point spacer (L) and 5/16-18 lock nut (E) to secure array (A) to mounting arm. (See Figure 2)

4. Repeat Steps 1-3 for dual mounting systems if KRA223 is to be attached to second arm.

NOTE: 1/8" hex key (R) provided to adjust tension of array bar rotation screws if desired. (See Figure 2)

NOTE: Cable clip (K) can be used in place of pivot point spacer (L) if additional cable management is desired. (See Figure 2)

- Refer to Kontour mount installation instructions to install displays.



WARNING: Exceeding the weight capacity can result in serious personal injury or damage to equipment! It is the installer's responsibility to make sure the combined weight of all components located attached to the KRA223 Array Bar up to (and including) the display does not exceed the weight limits listed in the table below. Use with products heavier than the maximum weight indicated may result in collapse of the mount and its accessories causing possible injury.

IMPORTANT ! : Weight limits listed in table assume KRA223 is the ONLY accessory added to a standard mount and is added to each monitor arm available. If using in combination with another accessory, contact Chief technical support for specific weight rating for that configuration.

MODEL w/ KRA223	Max Weight Allowed for <u>EACH</u> Display	Max Weight Capacity of Mounting System
K0P100	15 lbs (6.8 kg)	30 lbs (13.6 kg)
K0W100	15 lbs (6.8 kg)	30 lbs (13.6 kg)
K1C110	9 lbs (4.08 kg)	18 lbs (8.16 kg)
K1C120	9 lbs (4.08 kg)	18 lbs (8.16 kg)
K1C120SXF1	9 lbs (4.08 kg)	18 lbs (8.16 kg)
K1D120	9 lbs (4.08 kg)	18 lbs (8.16 kg)
K1D120XDL	9 lbs (4.08 kg)	18 lbs (8.16 kg)
K1P110	9 lbs (4.08 kg)	18 lbs (8.16 kg)
K1P120	9 lbs (4.08 kg)	18 lbs (8.16 kg)
K1S120	9 lbs (4.08 kg)	18 lbs (8.16 kg)
K1W120	9 lbs (4.08 kg)	18 lbs (8.16 kg)
K2C110	9 lbs (4.08 kg)	18 lbs (8.16 kg)

MODEL w/ KRA223	Max Weight Allowed for <u>EACH</u> Display	Max Weight Capacity of Mounting System
K2C120	9 lbs (4.08 kg)	18 lbs (8.16 kg)
K2C120SXF1	9 lbs (4.08 kg)	18 lbs (8.16 kg)
K2P110	15 lbs (6.8 kg)	30 lbs (13.6 kg)
K2P120	15 lbs (6.8 kg)	30 lbs (13.6 kg)
K2W110	15 lbs (6.8 kg)	30 lbs (13.6 kg)
K2W120	15 lbs (6.8 kg)	30 lbs (13.6 kg)
K1W110	9 lbs (4.08 kg)	18 lbs (8.16 kg)



WARNING: The KRA223 accessory is designed to be installed to any single arm configuration of the K1 or K2 Series. Do NOT install it to a dual arm system!

Adjustments

Rotational Adjustment

NOTE: (Optional) Rotational adjustment may be locked by installing rotational locking screw (U) into back of faceplate. (See Figure 3)

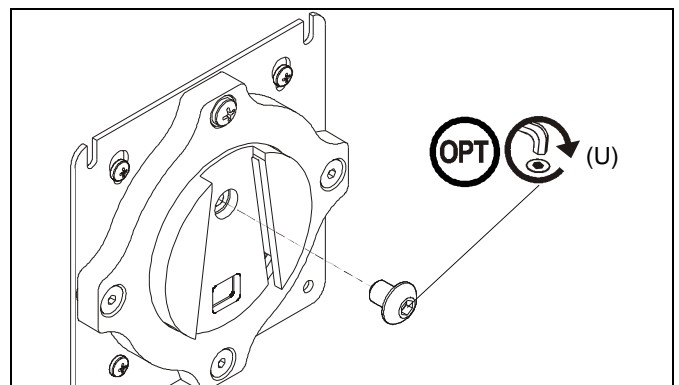


Figure 3

1. The monitor may be adjusted 90 degrees in either direction in order to provide a portrait view of the monitor. (See Figure 4)
2. Use Phillips screwdriver to adjust rotational adjustment screw to adjust rotational tension. (See Figure 4)

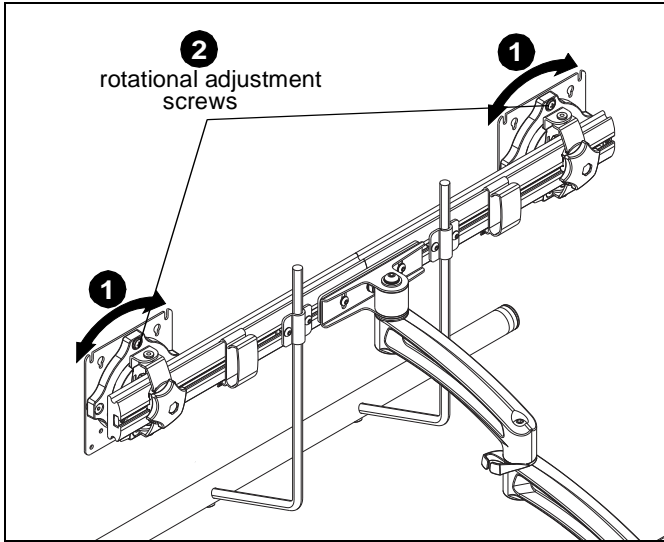


Figure 4

Array Bar Roll Adjustment

1. Loosen roll adjustment screws on back of array bracket. (See Figure 6)
2. Adjust roll of array bar as desired. (See Figure 6)
3. Tighten roll adjustment screws on back of array bracket. (See Figure 6)

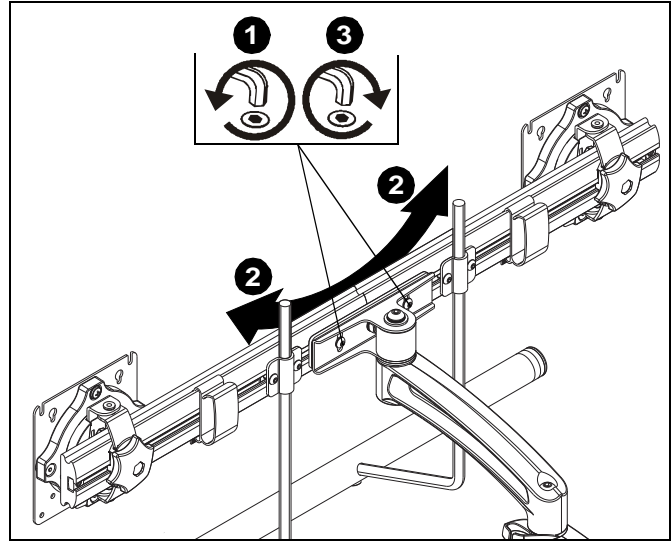


Figure 6

Adjustments

1. Loosen knobs securing faceplates to array. (See Figure 5)
2. Slide displays laterally on array to adjust lateral shift. (See Figure 5)
3. Adjust pitch and pivot position as desired. (See Figure 5)
4. Tighten knobs to secure faceplates in position. (See Figure 5)

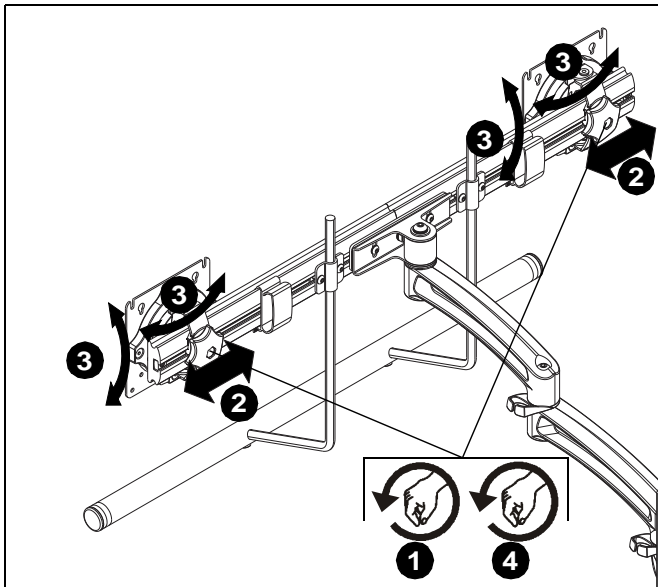


Figure 5



Our Mounts. **Your Vision.**

Chief, a product division of
Milestone AV Technologies

8800-002831 Rev00
©2016 Milestone AV Technologies
www.milestone.com
11/16

USA/International	A 6436 City West Parkway, Eden Prairie, MN 55344 P 800.582.6480 / 952.225.6000 F 877.894.6918 / 952.894.6918
Europe	A Franklinstraat 14, 6003 DK Weert, Netherlands P +31 (0) 495 580 852 F +31 (0) 495 580 845
Asia Pacific	A Office No. 918 on 9/F, Shatin Galleria 18-24 Shan Mei Street Fotan, Shatin, Hong Kong P 852 2145 4099 F 852 2145 4477

