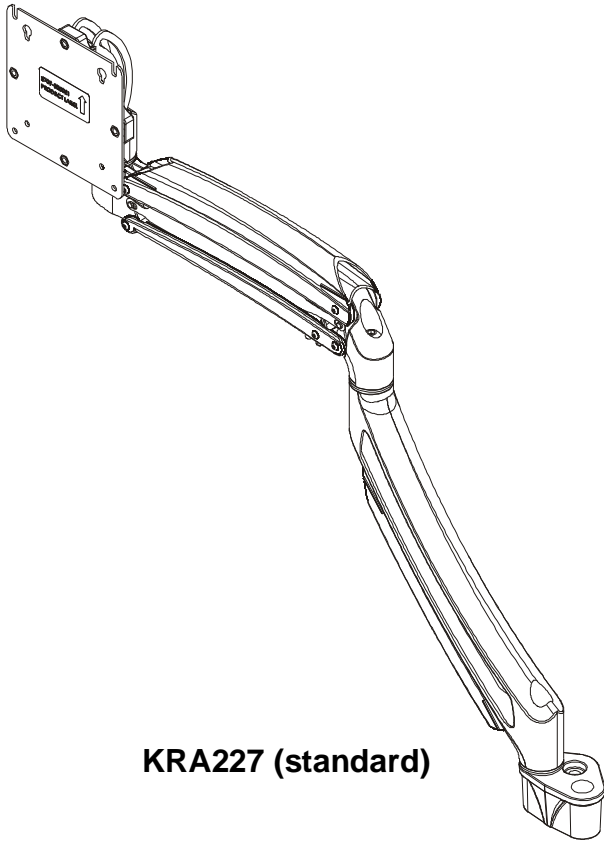
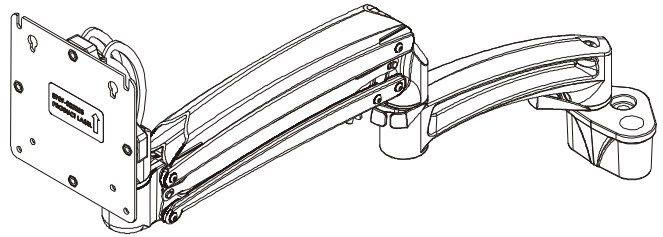

INSTALLATION INSTRUCTIONS



KRA227 (standard)



KRA227xRH (reduced height)

K1D/K1P/K1S/K1W Dual Monitor Accessory

DISCLAIMER

Milestone AV Technologies and its affiliated corporations and subsidiaries (collectively “Milestone”), intend to make this manual accurate and complete. However, Milestone makes no claim that the information contained herein covers all details, conditions or variations, nor does it provide for every possible contingency in connection with the installation or use of this product. The information contained in this document is subject to change without notice or obligation of any kind. Milestone makes no representation of warranty, expressed or implied, regarding the information contained herein. Milestone assumes no responsibility for accuracy, completeness or sufficiency of the information contained in this document.


Chief® is a registered trademark of Milestone AV Technologies. All rights reserved.


DEFINITIONS

MOUNTING SYSTEM: A MOUNTING SYSTEM is the primary Chief product to which an accessory and/or component is attached.


ACCESSORY: AN ACCESSORY is the secondary Chief product which is attached to a primary Chief product, and may have a component attached or setting on it.

COMPONENT: A COMPONENT is an audiovisual item designed to be attached or resting on an accessory or mounting system such as a video camera, CPU, screen, display, projector, etc.

 **WARNING:** A WARNING alerts you to the possibility of serious injury or death if you do not follow the instructions.

 **CAUTION:** A CAUTION alerts you to the possibility of damage or destruction of equipment if you do not follow the corresponding instructions.

 **IMPORTANT SAFETY INSTRUCTIONS**

 **WARNING:** Failure to read, thoroughly understand, and follow all instructions can result in serious personal injury, damage to equipment, or voiding of factory warranty! It is the installer’s responsibility to make sure all mounting systems/ accessories are properly assembled and installed using the instructions provided.





 **WARNING:** Exceeding the weight capacity can result in serious personal injury or damage to equipment! It is the installer’s responsibility to make sure the combined weight of all components located on the KRA227 does not exceed 25 lbs (11.3 kg). In addition, when the KRA227 accessory is attached to a K1 Series mount, the listed weight capacity of that assembly becomes the weight capacity listed in Table 1.

Table 1: Weight Capacity

MODEL (Original K1 Series mount)	Max Weight for EACH Display	Max Weight Capacity of Mounting System with KRA227 Attached
K1D120	25 lbs (11.34 kg)	50 lbs (22.7 kg)
K1P120	25 lbs (11.34 kg)	50 lbs (22.7 kg)
K1S120	25 lbs (11.34 kg)	50 lbs (22.7 kg)
K1W120	25 lbs (11.34 kg)	50 lbs (22.7 kg)

 **WARNING:** Use this accessory only for its intended use as described in these instructions. Do not use attachments not recommended by the manufacturer.

 **WARNING:** Never operate this accessory if it is damaged. Return the accessory to a service center for examination and repair.

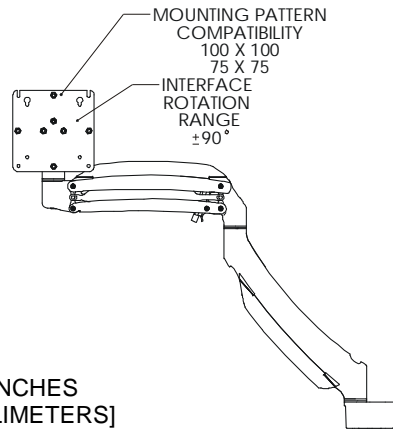
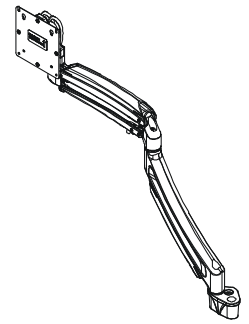
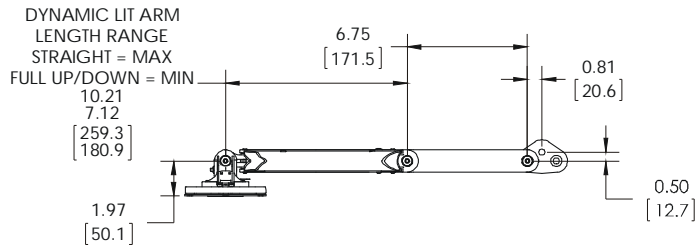
 **WARNING:** Do not use this product outdoors.

IMPORTANT ! : The KRA227 accessory is designed to be mounted to a K1D120, K1P120, K1S120, and K1W120 Series mount.

--SAVE THESE INSTRUCTIONS--

DIMENSIONS

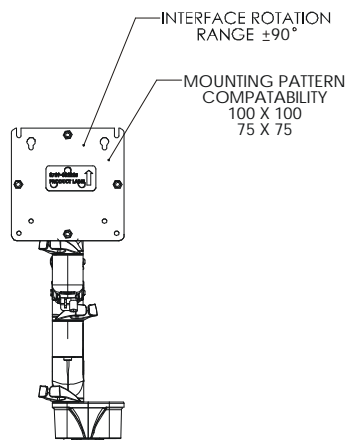
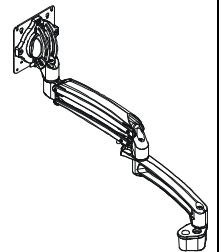
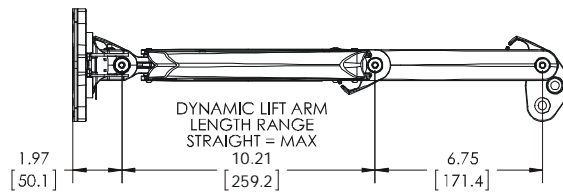
KRA227 (standard)



TILT RANGE
75° UP
10° DOWN

DIMENSIONS: INCHES
[MILLIMETERS]

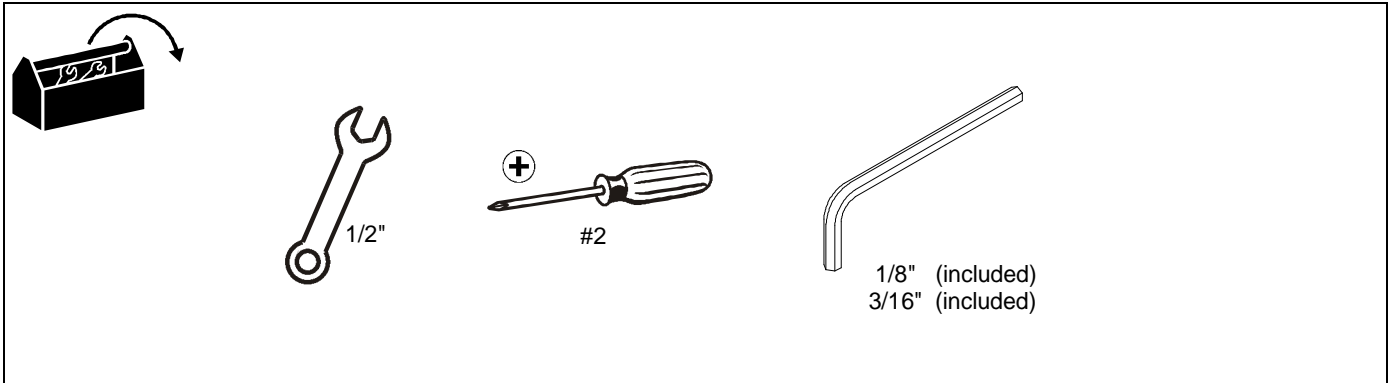
KRA227xRH (reduced height)



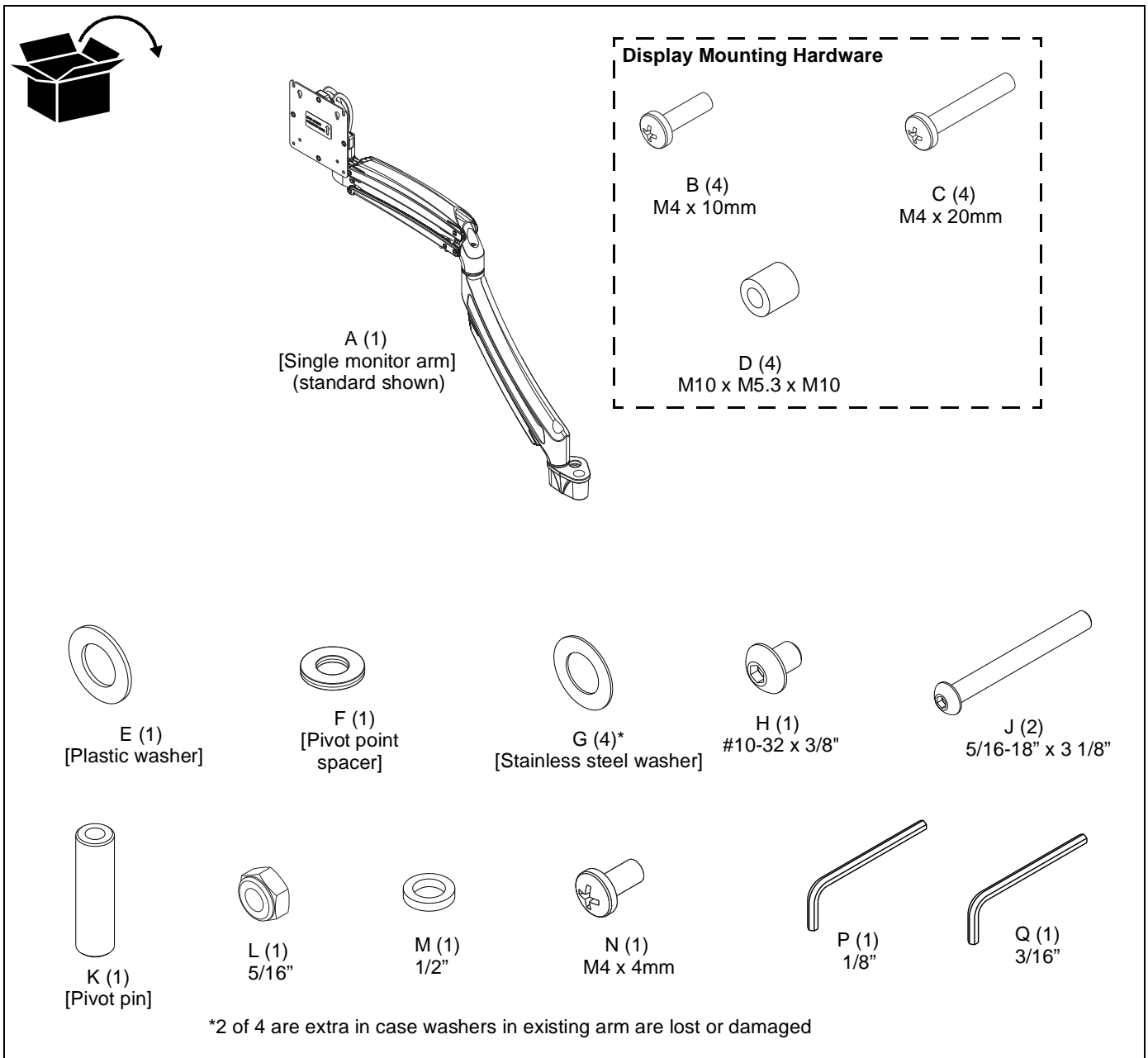
HEIGHT ADJUST
RANGE
16.75
3.75
[425.45]
[95.25]

DIMENSIONS: INCHES
[MILLIMETERS]

TOOLS REQUIRED FOR INSTALLATION



PARTS



ASSEMBLY AND INSTALLATION

- Carefully remove display from existing mount, following instructions included with mount.
- Loosen lock nut and 3" button head cap screw located in arm to remove arm from mount. **SAVE ALL HARDWARE AND MOUNT ARM EXCEPT 3" SCREW AND PLASTIC SPACERS!** (See Figure 1)

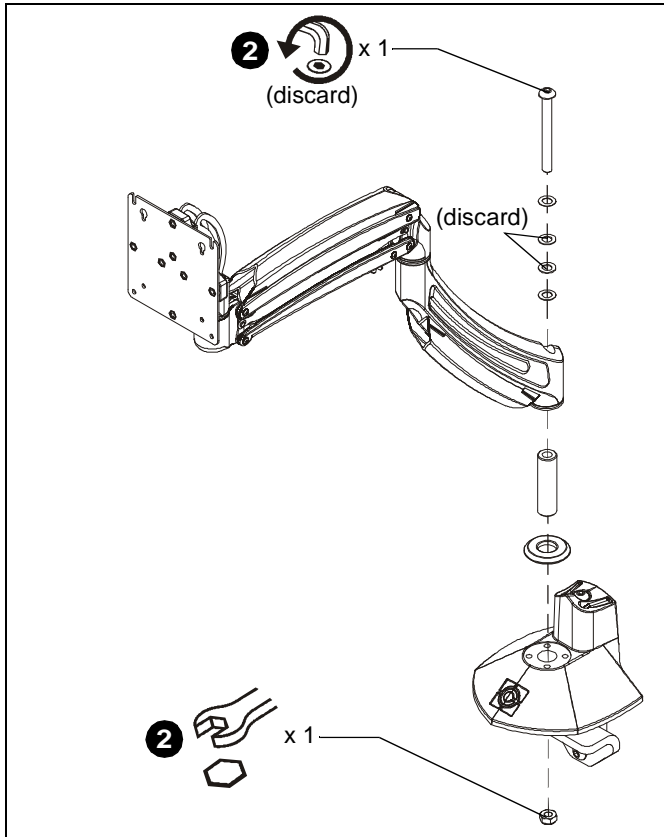


Figure 1

- Attach single monitor arm assembly (A) to original mount base using one 5/16-18 x 3 1/8" button head cap screw (J), steel washers from existing mount, 1/2" spacer (M) and pivot pin, pivot pin spacer and 5/16" lock nut all from existing mount. (See Figure 2)

NOTE: If two steel washers removed in Step 2 are lost or damaged, replace with the extra two washers (G).

- Reattach original mount arm (removed in Step 2) using one 5/16-18 x 3 1/8" button head cap screw (J), one plastic washer (E), two stainless steel washers (G), one pivot pin (K), one pivot pin spacer (F), and one 5/16" lock nut (L). (See Figure 3)

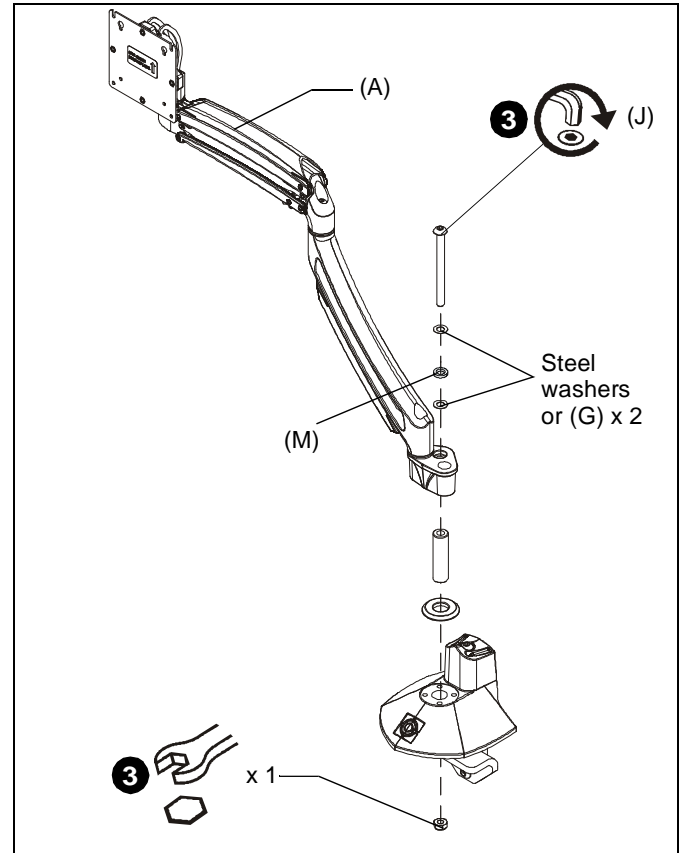


Figure 2

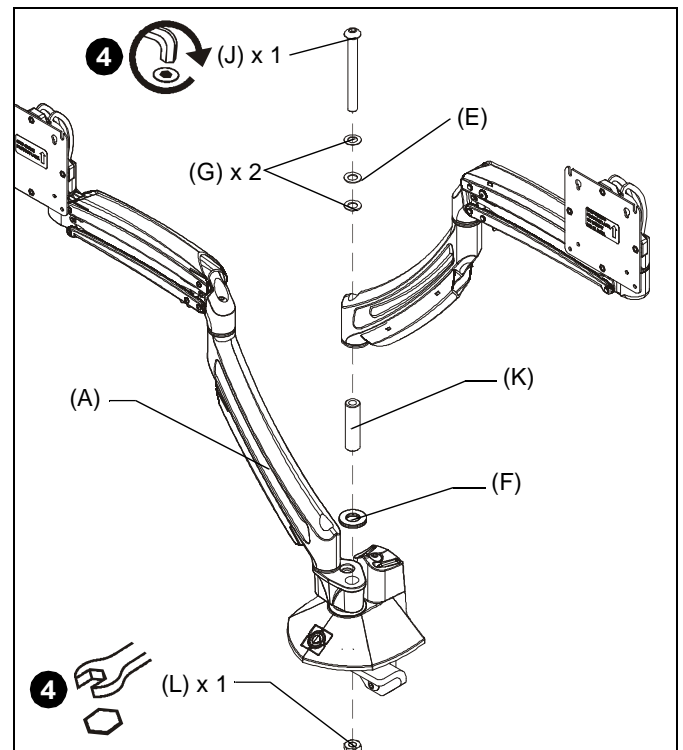


Figure 3

DISPLAY INSTALLATION

1. Remove quick release faceplate from KRA227 by pulling quick release lever and sliding faceplate off. (See Figure 4)

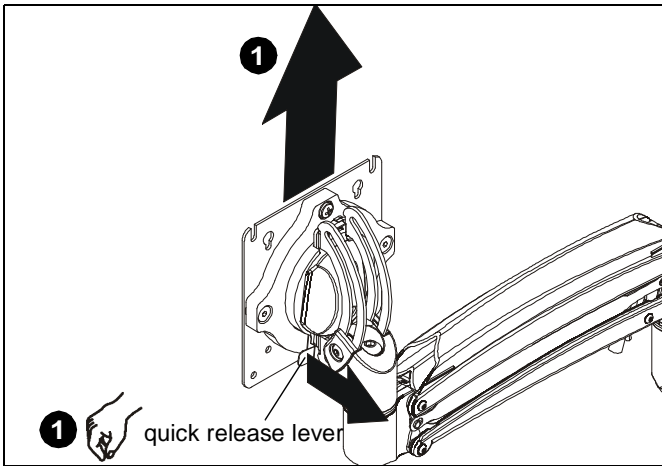


Figure 4

2. Carefully place display face down on protective surface.
3. Connect faceplate to display.

For flush mounting hole installation:

- Using Phillips screwdriver, carefully install four M4x10mm screws (B) through corresponding holes on faceplate and into the mounting holes on the display. (See Figure 5)

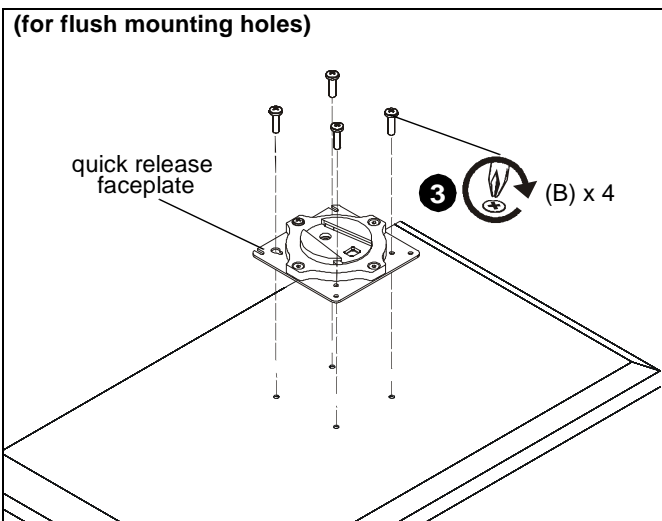


Figure 5

For recessed mounting hole installation:

- Place four spacers (D) on top of mounting holes on back of display. (See Figure 6)
- Using Phillips screwdriver, carefully install four M4x20mm screws (C) through corresponding holes on faceplate, spacers (D) and into the mounting holes on the display. (See Figure 6)

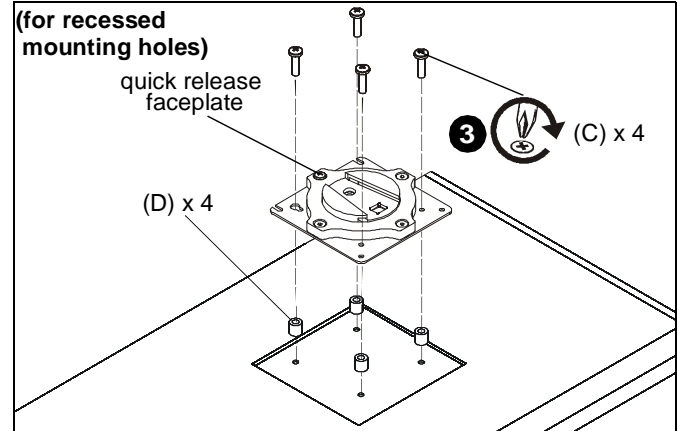


Figure 6

4. Position display with faceplate attached above KRA227. (See Figure 7)
5. Slide faceplate onto KRA227 head until quick release tab clicks into place. (See Figure 7)

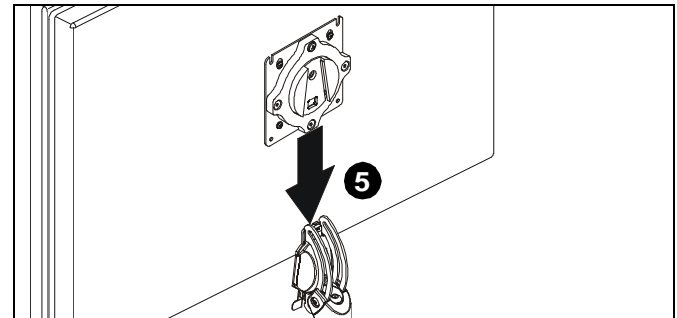


Figure 7

Rotational Adjustment

NOTE: (Optional) Rotational adjustment may be locked by installing rotational locking screw (H) into back of faceplate. (See Figure 8)

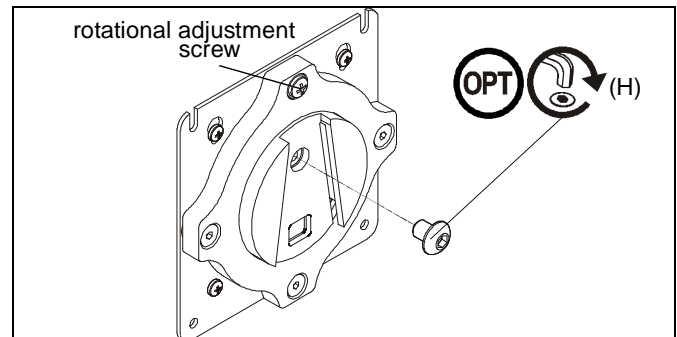


Figure 8

6. The monitor may be adjusted 90 degrees in either direction in order to provide a portrait view of the monitor. (See Figure 17)
7. Use 3/16" hex key (Q) to adjust rotational adjustment screw to adjust rotational tension. (See Figure 8)
8. Refer to Adjustments and Cable Management information in the original mount installation instructions for further information.

Display Removal Security Screw

NOTE: In order to prevent display from being easily removed from mount using the quick release lever, install M4x4mm security screw (N) into lower hole on back of faceplate. (See Figure 9)

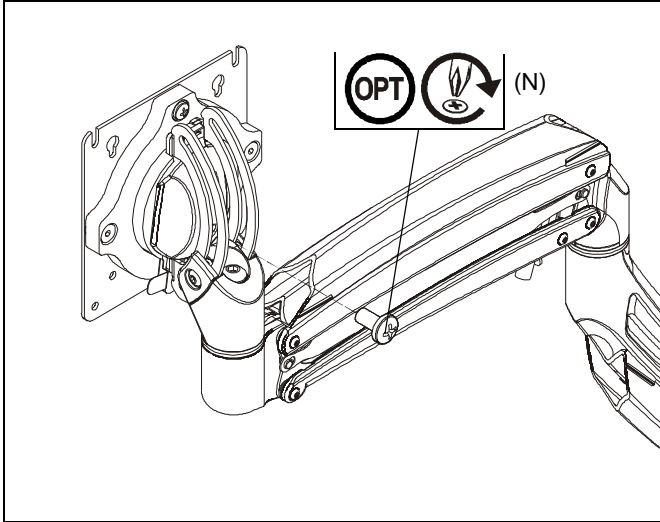


Figure 9



Our Mounts. **Your Vision.**

Chief, a products division of
Milestone AV Technologies

8800-002763 Rev01
©2017 Milestone AV Technologies
www.milestone.com
03/17

USA/International	A 6436 City West Parkway, Eden Prairie, MN 55344 P 800.582.6480 / 952.225.6000 F 877.894.6918 / 952.894.6918
Europe	A Franklinstraat 14, 6003 DK Weert, Netherlands P +31 (0) 495 580 852 F +31 (0) 495 580 845
Asia Pacific	A Office No. 918 on 9/F, Shatin Galleria 18-24 Shan Mei Street Fotan, Shatin, Hong Kong P 852 2145 4099 F 852 2145 4477

