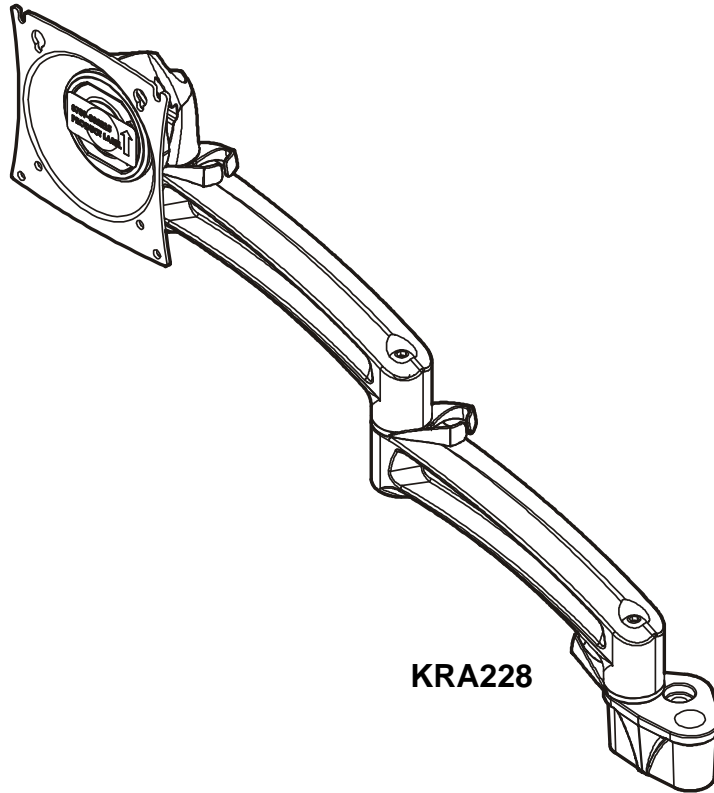

INSTALLATION INSTRUCTIONS



K2P/K2W Dual Monitor Accessory

DISCLAIMER

Milestone AV Technologies and its affiliated corporations and subsidiaries (collectively "Milestone"), intend to make this manual accurate and complete. However, Milestone makes no claim that the information contained herein covers all details, conditions or variations, nor does it provide for every possible contingency in connection with the installation or use of this product. The information contained in this document is subject to change without notice or obligation of any kind. Milestone makes no representation of warranty, expressed or implied, regarding the information contained herein. Milestone assumes no responsibility for accuracy, completeness or sufficiency of the information contained in this document.

Chief® is a registered trademark of Milestone AV Technologies. All rights reserved.

DEFINITIONS

WARNING: A WARNING alerts you to the possibility of serious injury or death if you do not follow the instructions.

CAUTION: A CAUTION alerts you to the possibility of damage or destruction of equipment if you do not follow the corresponding instructions.

MOUNTING SYSTEM: A MOUNTING SYSTEM is the primary product designed to mount the projector or display.

ACCESSORY: An ACCESSORY is any product designed by Chief® to complement the primary mounting system either by mounting any supporting components or enhancing the mounting capabilities of the primary mounting system.

COMPONENT: A COMPONENT is any secondary product designed to be used with the accessory, i.e. speakers, CPU's, cameras, tablets, additional displays.



IMPORTANT SAFETY INSTRUCTIONS



WARNING: Failure to read, thoroughly understand, and follow all instructions can result in serious personal injury, damage to equipment, or voiding of factory warranty! It is the installer's responsibility to make sure all components are properly assembled and installed using the instructions provided.



WARNING: Failure to provide adequate structural strength for this component can result in serious personal injury or damage to equipment! It is the installer's responsibility to make sure the structure to which this component is attached can support five times the combined weight of all equipment. Reinforce the structure as required before installing the component.



WARNING: Exceeding the weight capacity can result in serious personal injury or damage to equipment! It is the installer's responsibility to make sure the combined weight of all components located on the KRA228 does not exceed 25 lbs (11.3 kg). In addition, when the KRA228 accessory is attached to a K2P120 or K2W120 mount, the listed weight capacity of that assembly becomes the weight capacity listed in Table 1.

Table 1: Weight Capacity

MODEL (Original K2 Series mount)	Max Weight for EACH Display	Max Weight Capacity of Mounting System with KRA228 Attached
K2P120	25 lbs (11.34 kg)	50 lbs (22.7 kg)
K2W120	25 lbs (11.34 kg)	50 lbs (22.7 kg)



WARNING: Use this accessory only for its intended use as described in these instructions. Do not use attachments not recommended by the manufacturer.



WARNING: Never operate this accessory if it is damaged. Return the accessory to a service center for examination and repair.

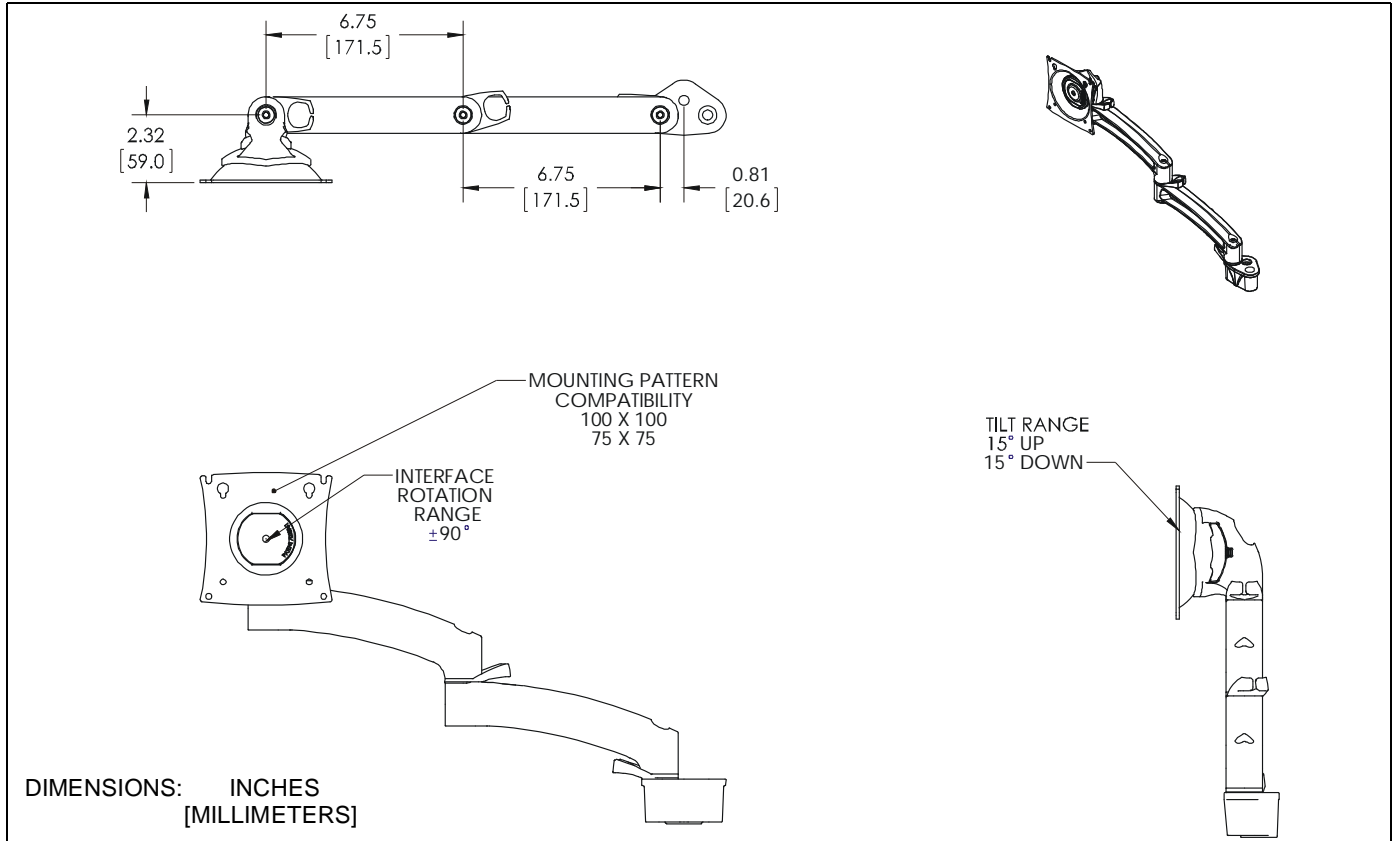


WARNING: Do not use this product outdoors.

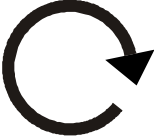





IMPORTANT ! : The KRA228 accessory is designed to be mounted to a K2P120 or K2W120 mount.

--SAVE THESE INSTRUCTIONS--

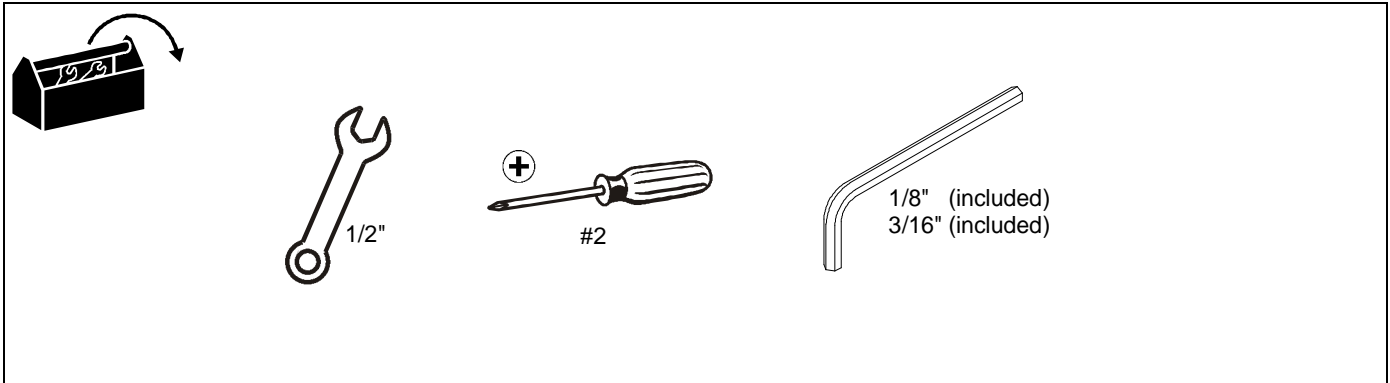
DIMENSIONS



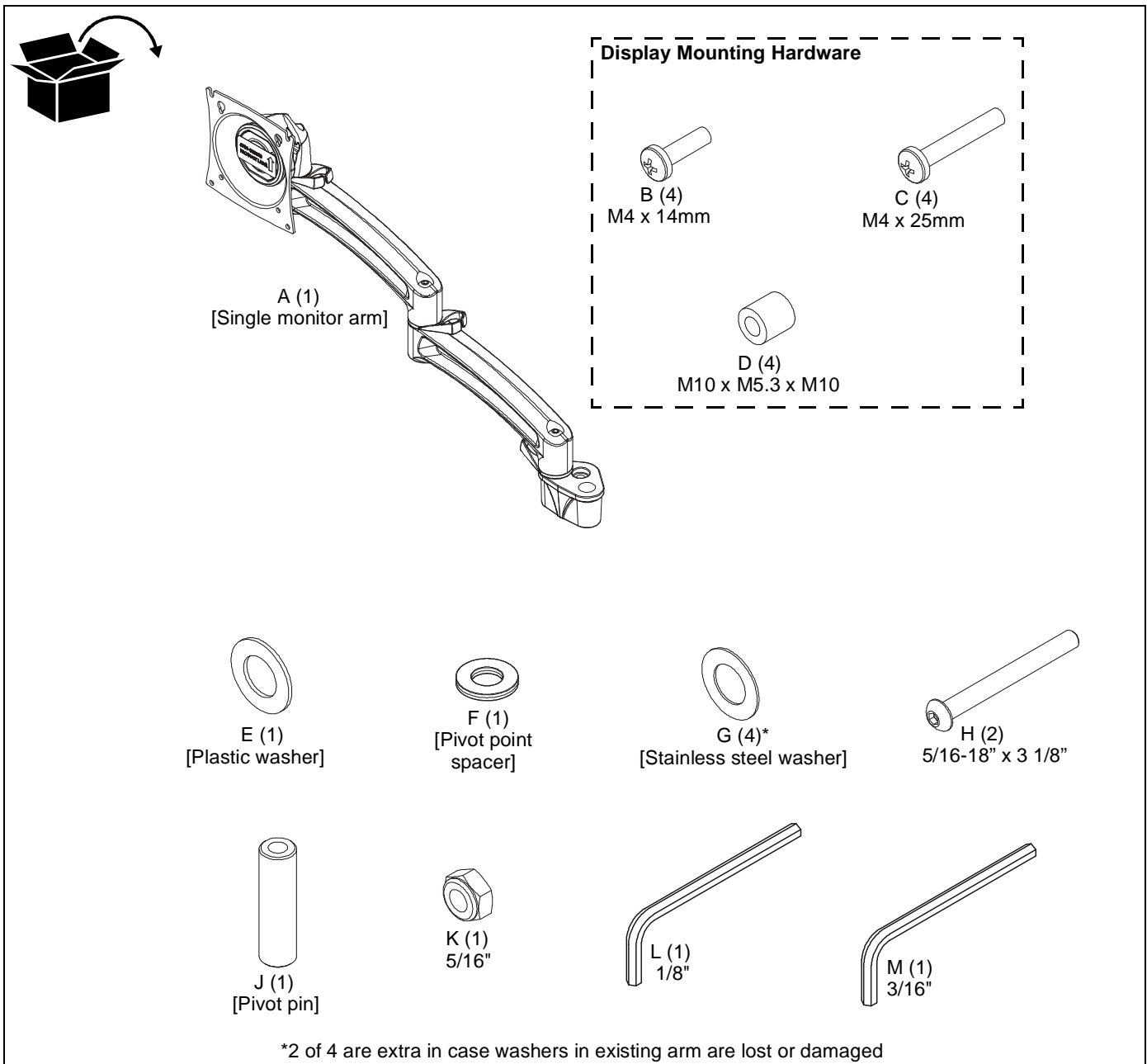
LEGEND

	<p>Tighten Fastener</p> <p>Apretar elemento de fijación</p> <p>Befestigungsteil festziehen</p> <p>Apertar fixador</p> <p>Serrare il fissaggio</p> <p>Bevestiging vastdraaien</p> <p>Serrez les fixations</p>		<p>Open-Ended Wrench</p> <p>Llave de boca</p> <p>Gabelschlüssel</p> <p>Chave de bocas</p> <p>Chiave a punta aperte</p> <p>Steeksleutel</p> <p>Clé à fourche</p>
	<p>Loosen Fastener</p> <p>Aflojar elemento de fijación</p> <p>Befestigungsteil lösen</p> <p>Desapertar fixador</p> <p>Allentare il fissaggio</p> <p>Bevestiging losdraaien</p> <p>Desserrez les fixations</p>		<p>By Hand</p> <p>A mano</p> <p>Von Hand</p> <p>Com a mão</p> <p>A mano</p> <p>Met de hand</p> <p>À la main</p>
	<p>Phillips Screwdriver</p> <p>Destornillador Phillips</p> <p>Kreuzschlitzschraubendreher</p> <p>Chave de fendas Phillips</p> <p>Cacciavite a stella</p> <p>Kruiskopschroevendraaier</p> <p>Tournevis à pointe cruciforme</p>		<p>Hex-Head Wrench</p> <p>Llave de cabeza hexagonal</p> <p>Sechskantschlüssel</p> <p>Chave de cabeça sextavada</p> <p>Chiave esagonale</p> <p>Zeskantsleutel</p> <p>Clé à tête hexagonale</p>

TOOLS REQUIRED FOR INSTALLATION



PARTS



ASSEMBLY AND INSTALLATION

- Carefully remove display from existing mount, following instructions included with mount.
- Loosen lock nut and 3" button head cap screw located in arm to remove arm from mount. **SAVE ALL HARDWARE AND MOUNT ARM EXCEPT 3" SCREW!** (See Figure 1)

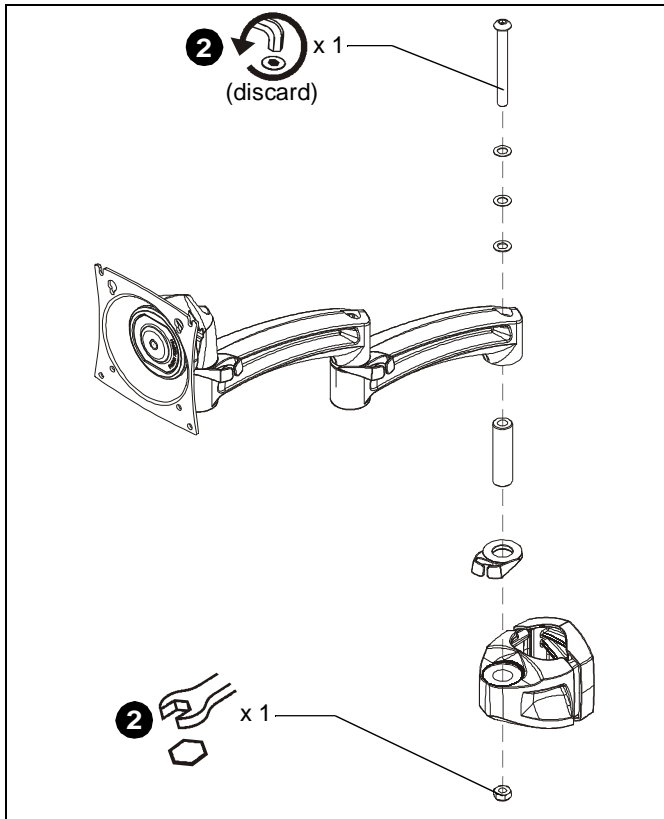


Figure 1

- Attach single monitor arm assembly (A) to original mount base using one 5/16-18 x 3 1/8" button head cap screw (H), one plastic washer (E), two stainless steel washers (G), one pivot pin (J), one pivot point spacer (F), and one 5/16" lock nut (K). (See Figure 2)
- Reattach original mount arm (removed in Step 2) re-using hardware removed in Step 2 and one 5/16-18 x 3 1/8" button head cap screw (H). (See Figure 3)

NOTE: If two steel washers removed in Step 2 are lost or damaged, replace with the extra two washers (G).

- Complete installation following instructions included with the original mount.

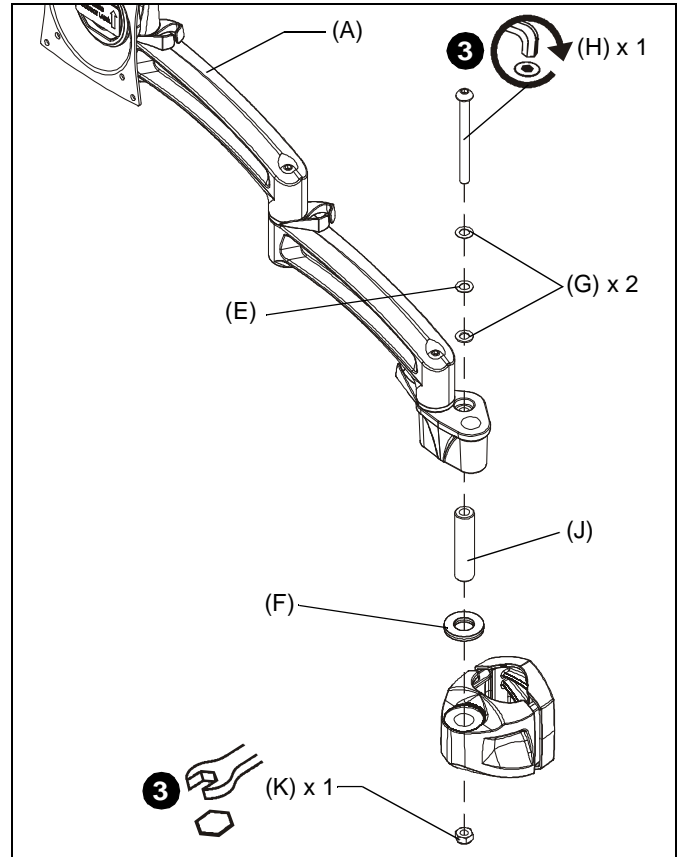


Figure 2

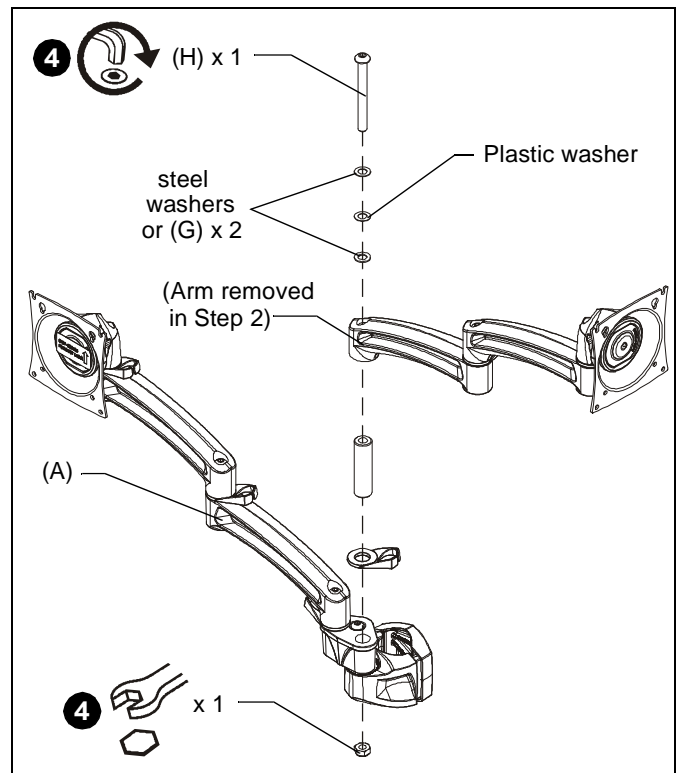


Figure 3

DISPLAY INSTALLATION

The mounting holes on the back of the display will either be flush with the back surface or recessed into the back surface.

Flush Mounting Holes



CAUTION: Using screws of improper size may damage your display! Proper screws will easily and completely thread into display mounting holes.



CAUTION: Inadequate thread engagement in display may cause display to fall! Back out screws **ONLY** as necessary to allow installation!

1. Ensure faceplate is able to swivel and tilt easily, yet still be tight enough to hold display in desired position. Adjust as required before proceeding following original mount installation instructions. (See Figure 4)
2. Carefully install two M4x14mm screws (B) into the *upper* mounting holes on the display. Thread screws completely into display, then back out three complete turns. (See Figure 4)
3. Pick up and align display so that screws (B) (installed in the previous step) fit into the mounting holes on the faceplate. Rotate the faceplate as required. Lower the display firmly into place. (See Figure 4)

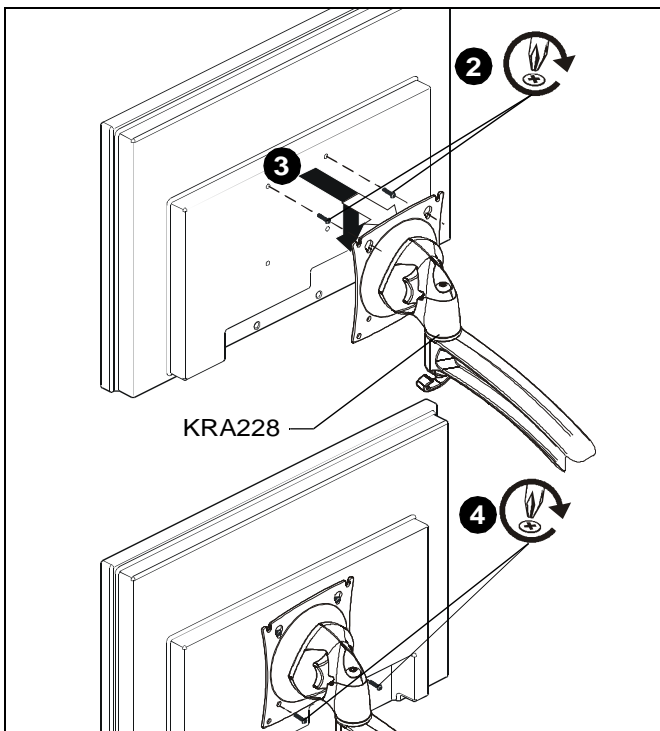


Figure 4

4. Install two remaining M4x14mm Phillips screws (B) through the *lower* mounting holes in faceplate into the display. (See Figure 4)
5. Tighten all four screws (B). Do not overtighten!

Recessed Mounting Holes

1. Ensure faceplate is able to swivel and tilt easily, yet still be tight enough to hold display in desired position. Adjust as required before proceeding.
2. Carefully place display face down on protective surface.
3. Place the four spacers (D) over each of the mount holes on the back of the display. (See Figure 5)
4. Pick up and orient the KRA228 so that the mounting holes are aligned with the holes in the spacers; rotate the bracket as required. (See Figure 5)
5. Using Phillips screwdriver, install four M4x25mm screws (C) through the mounting holes, through the spacers and into the display. (See Figure 5)
6. Tighten all four screws. Do not overtighten!

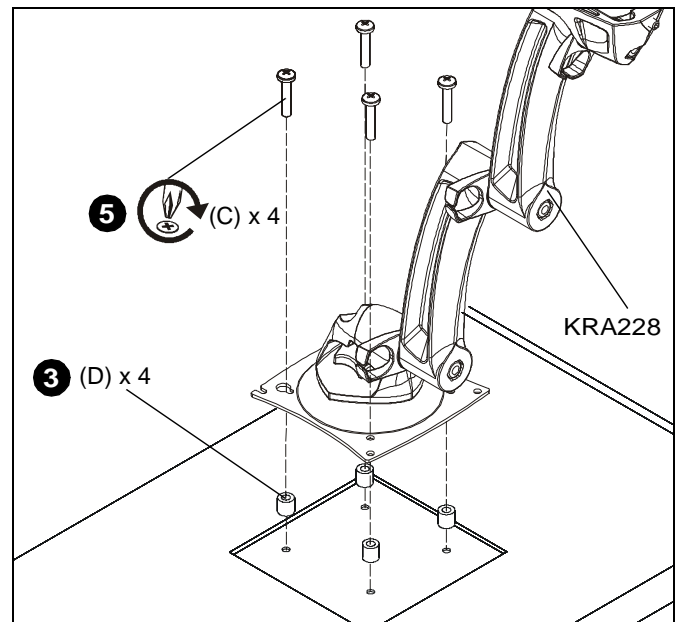


Figure 5

7. Refer to Adjustments and Cable Management information in the original mount installation instructions for further information.



Our Mounts. **Your Vision.**

Chief, a products division of
Milestone AV Technologies

8800-002661 Rev01
©2015 Milestone AV Technologies
www.chiefmfg.com
10/15

USA/International	A 6436 City West Parkway, Eden Prairie, MN 55344
	P 800.582.6480 / 952.225.6000
	F 877.894.6918 / 952.894.6918
Europe	A Franklinstraat 14, 6003 DK Weert, Netherlands
	P +31 (0) 495 580 852
	F +31 (0) 495 580 845
Asia Pacific	A Office No. 918 on 9/F, Shatin Galleria 18-24 Shan Mei Street Fotan, Shatin, Hong Kong
	P 852 2145 4099
	F 852 2145 4477

