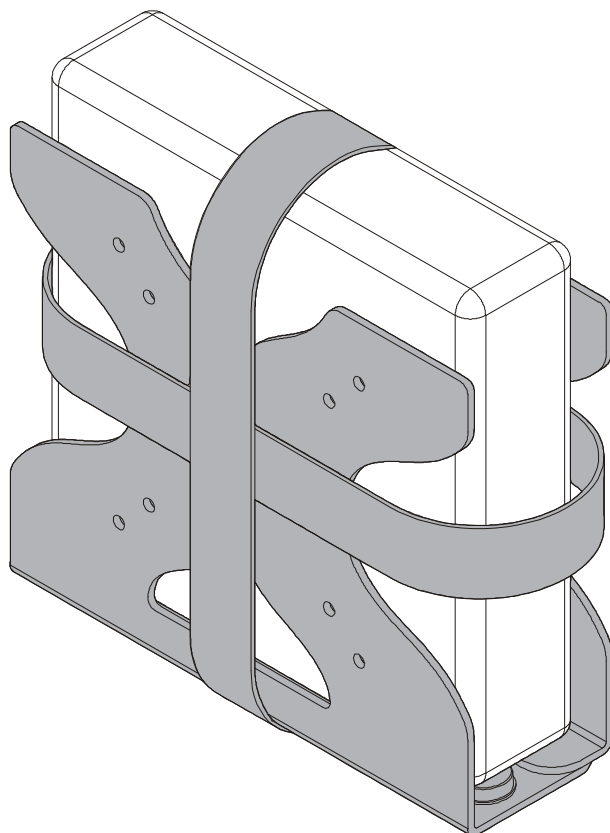


INSTALLATION INSTRUCTIONS



Kontour™ CPU Mount

DISCLAIMER

Milestone AV Technologies and its affiliated corporations and subsidiaries (collectively "Milestone"), intend to make this manual accurate and complete. However, Milestone makes no claim that the information contained herein covers all details, conditions or variations, nor does it provide for every possible contingency in connection with the installation or use of this product. The information contained in this document is subject to change without notice or obligation of any kind. Milestone makes no representation of warranty, expressed or implied, regarding the information contained herein. Milestone assumes no responsibility for accuracy, completeness or sufficiency of the information contained in this document.

Chief® is a registered trademark of Milestone AV Technologies. All rights reserved.



WARNING: Use this mounting system only for its intended use as described in these instructions. Do not use attachments not recommended by the manufacturer.



WARNING: Never operate this mounting system if it is damaged. Return the mounting system to a service center for examination and repair.



WARNING: Do not use this product outdoors.

--SAVE THESE INSTRUCTIONS--



IMPORTANT SAFETY INSTRUCTIONS



WARNING: A WARNING alerts you to the possibility of serious injury or death if you do not follow the instructions.



CAUTION: A CAUTION alerts you to the possibility of damage or destruction of equipment if you do not follow the corresponding instructions.



WARNING: Failure to read, thoroughly understand, and follow all instructions can result in serious personal injury, damage to equipment, or voiding of factory warranty! It is the installer's responsibility to make sure all components are properly assembled and installed using the instructions provided.



WARNING: Failure to provide adequate structural strength for this component can result in serious personal injury or damage to equipment! It is the installer's responsibility to make sure the structure to which this component is attached can support five times the combined weight of all equipment. Reinforce the structure as required before installing the component.

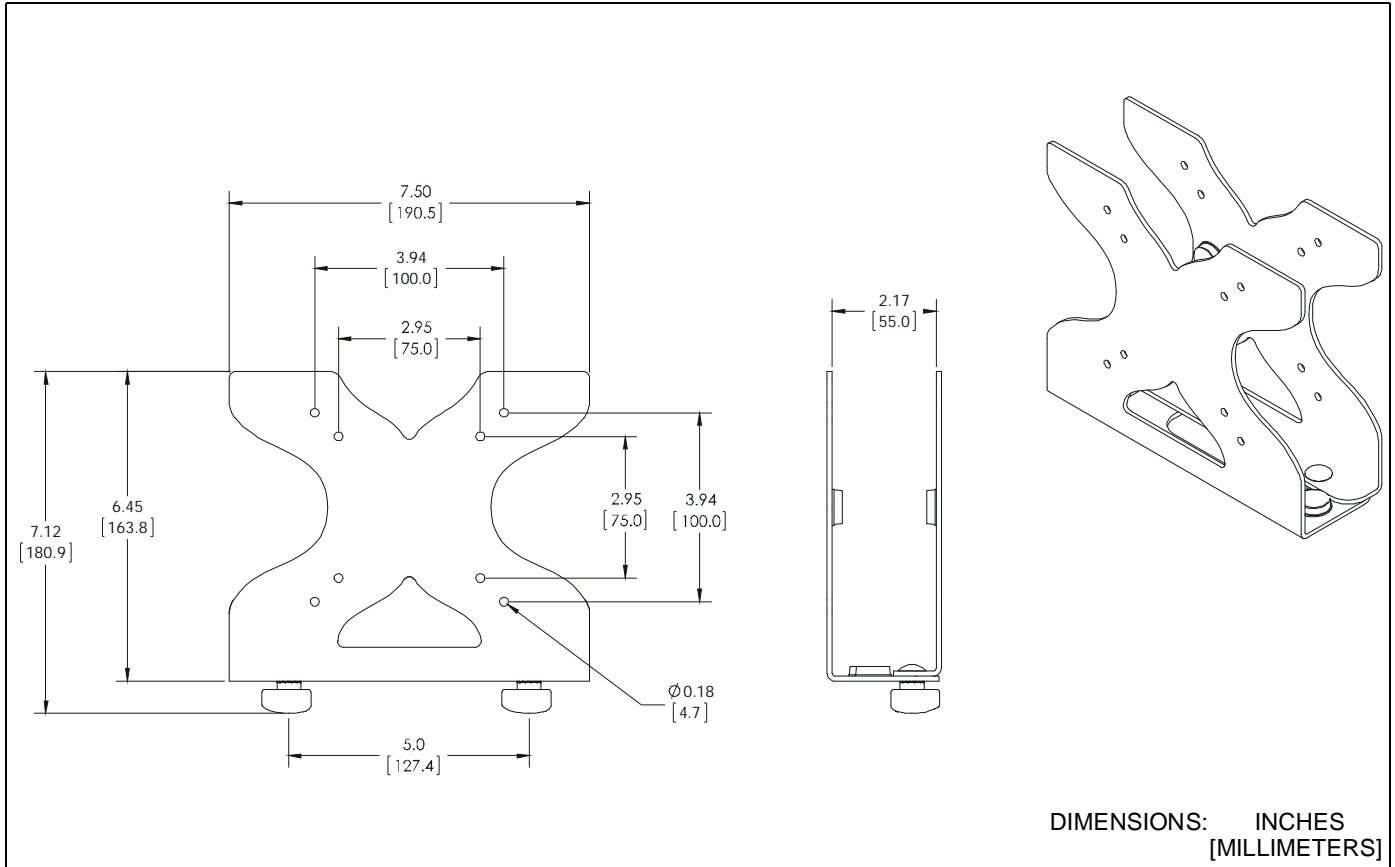


WARNING: Exceeding the weight capacity can result in serious personal injury or damage to equipment! It is the installer's responsibility to make sure the combined weight of all components within the KRA234 mount does not exceed 5 lbs (2.27 kg). In addition, when the KRA234 accessory is attached to a K1C or K2C Series mount, the listed weight capacity of that mounting system is decreased by the combined weight of the KRA234 accessory and all components contained in the KRA234.



WARNING: The KRA234 mount is NOT compatible with all K4 Series mounts! Do NOT attempt to mount the KRA234 to any K4 Series mount!

DIMENSIONS



LEGEND

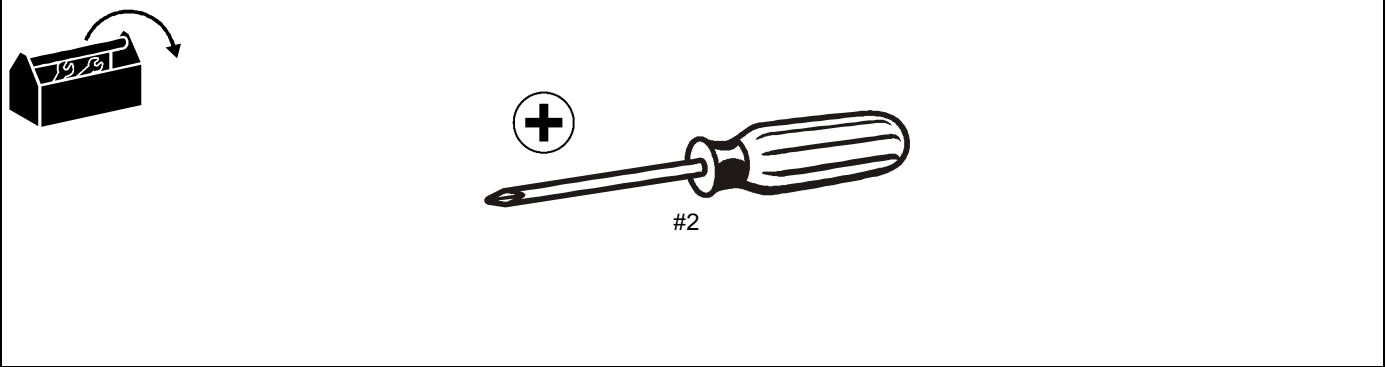
	By Hand
	A mano
	Von Hand
	Com a mão
	A mano
	Met de hand
	À la main

	Phillips Screwdriver
	Destornillador Phillips
	Kreuzschlitzschraubendreher
	Chave de fendas Phillips
	Cacciavite a stella
	Kruiskopschroevendraaier
Tournevis à pointe cruciforme	

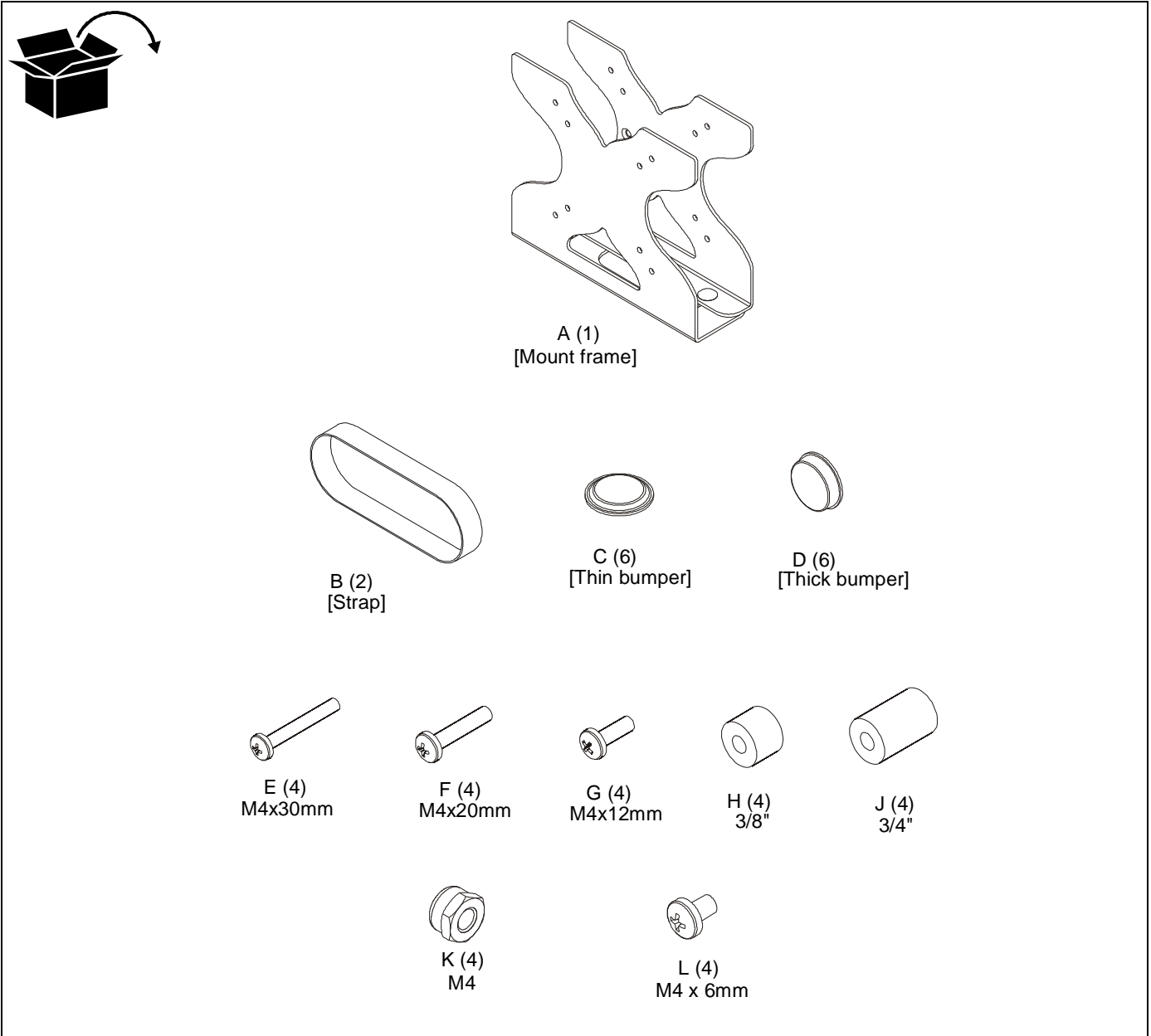
	Tighten Fastener
	Apretar elemento de fijación
	Befestigungsteil festziehen
	Apertar fixador
	Serrare il fissaggio
	Bevestiging vastdraaien
Serrez les fixations	

	Loosen Fastener
	Aflojar elemento de fijación
	Befestigungsteil lösen
	Desapertar fixador
	Allentare il fissaggio
	Bevestiging losdraaien
Desserrez les fixations	

TOOLS REQUIRED FOR INSTALLATION



PARTS



ASSEMBLY AND INSTALLATION

1. Disassemble mount frame (A) by unscrewing two knobs from the carriage bolts that hold the frame together. Set aside all hardware for re-use. (See Figure 1)

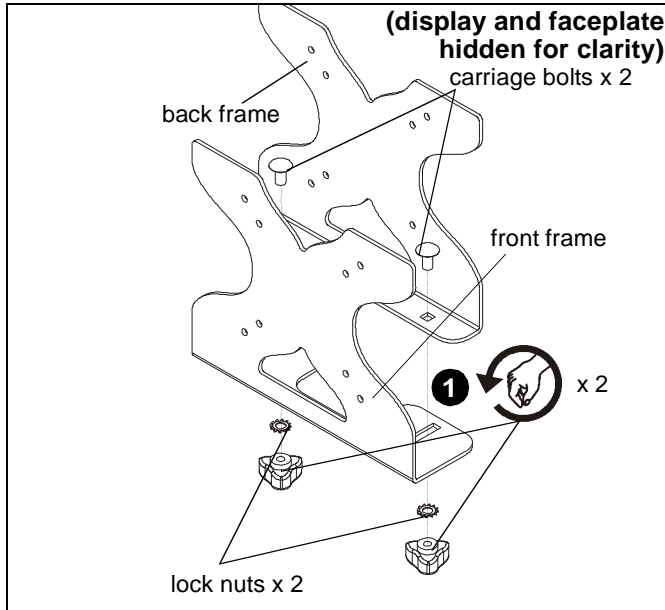


Figure 1

2. Carefully place display face down on protective surface.
3. Connect front frame to display

For flush mounting hole installation:

- Using Phillips screwdriver, carefully install four M4x12mm screws (G) through corresponding holes on front frame and into the mounting holes on the display. (See Figure 2)

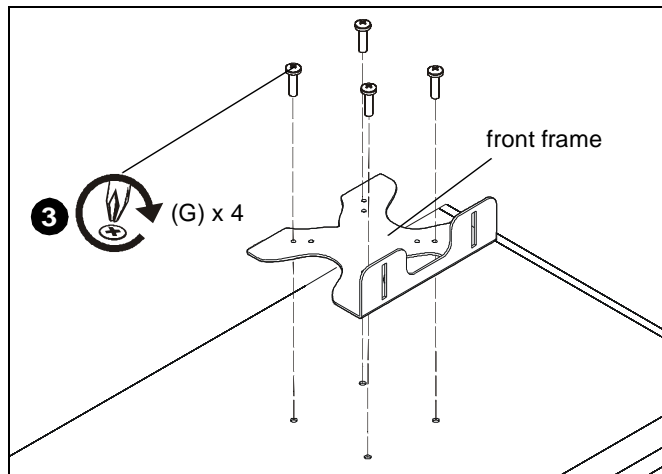


Figure 2

For recessed mounting hole installation:

- Place four spacers (H or J) on top of mounting holes on back of display. (See Figure 3)
- Using Phillips screwdriver, carefully install four M4x30mm (E) or M4x20mm (F) Phillips screws through corresponding holes on front frame, spacers (H or J) and into the mounting holes on the display. (See Figure 3)

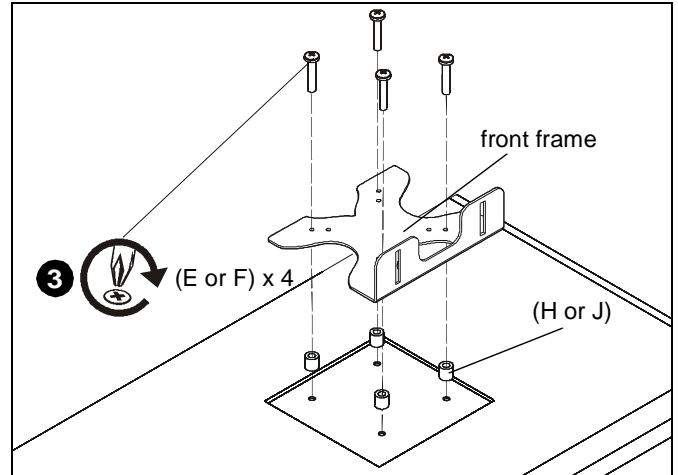


Figure 3

4. Use four M4x6mm Phillips screws (L) and four M4 lock nuts (K) to secure faceplate to back frame. (See Figure 4)

NOTE: For K1 Series mounts, remove faceplate prior to connecting to KRA234 for easier connection.

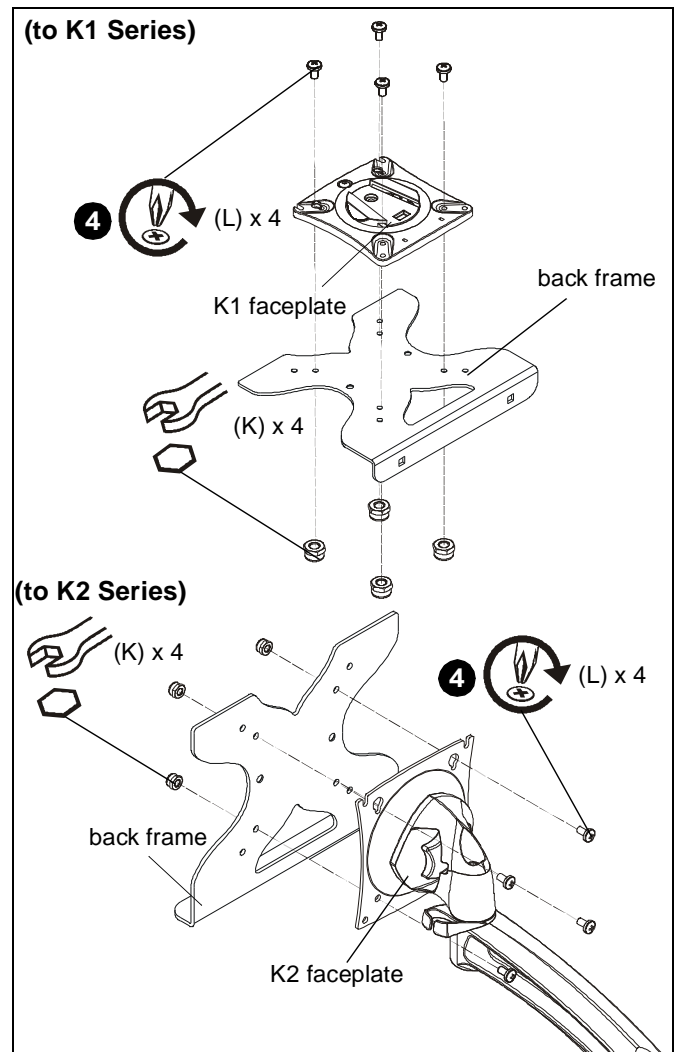


Figure 4

- Use two removed carriage bolts, two removed lock nuts and two removed knobs to reconnect front frame to back frame. (See Figure 5)

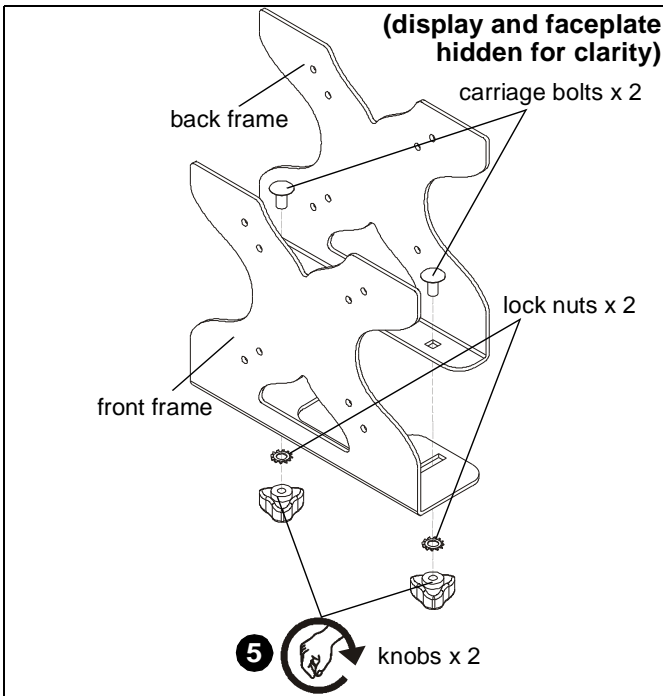


Figure 5



WARNING: Exceeding the weight capacity can result in serious personal injury or damage to equipment! It is the installer's responsibility to make sure the combined weight of all components within the KRA234 mount does not exceed 5 lbs (2.27 kg). In addition, when the KRA234 accessory is attached to a K1C or K2C Series mount, the listed weight capacity of that mounting system is decreased by the combined weight of the KRA234 accessory and all components contained in the KRA234.

- Carefully place CPU device into KRA234 frame. (See Figure 6)

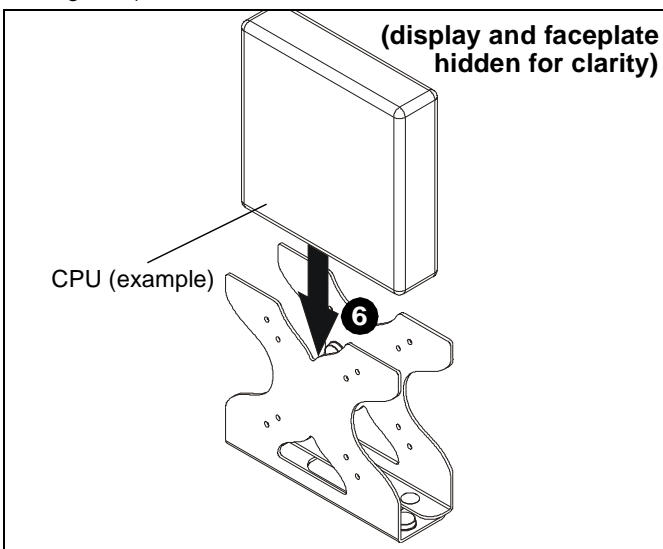


Figure 6

- (Optional) Use thin and thick bumpers (C and D) as desired to provide extra protection within frame. (See Figure 7)

NOTE: Thick bumpers (D) should be used on lower section to offset the elevated carriage bolts. Thin bumpers (C) or thick bumpers (D) should be used on the sides to offset the elevated Phillips screws (E, F or G).

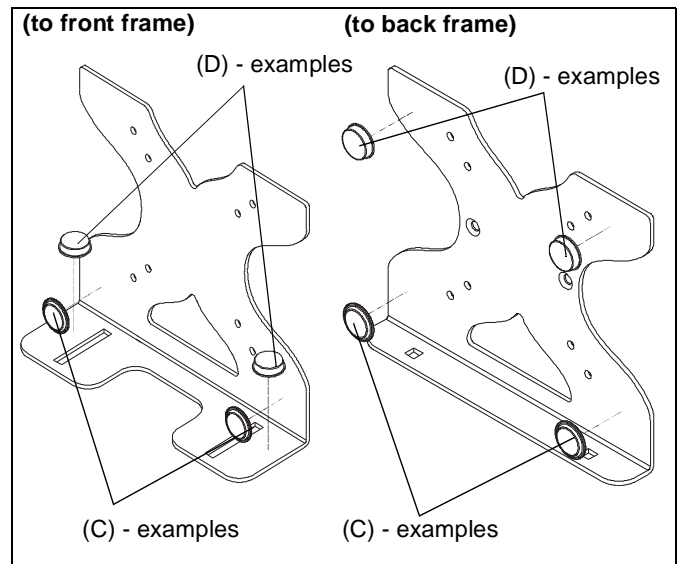


Figure 7

Width Adjustment

If necessary, adjust width of KRA234 frame so that frame is at desired width based on dimensions of the CPU.

- Loosen two knobs holding KRA234 plates together. (See Figure 8)
- Adjust width to desired width. (See Figure 8)
- Tighten two knobs holding KRA234 plates together. (See Figure 8)

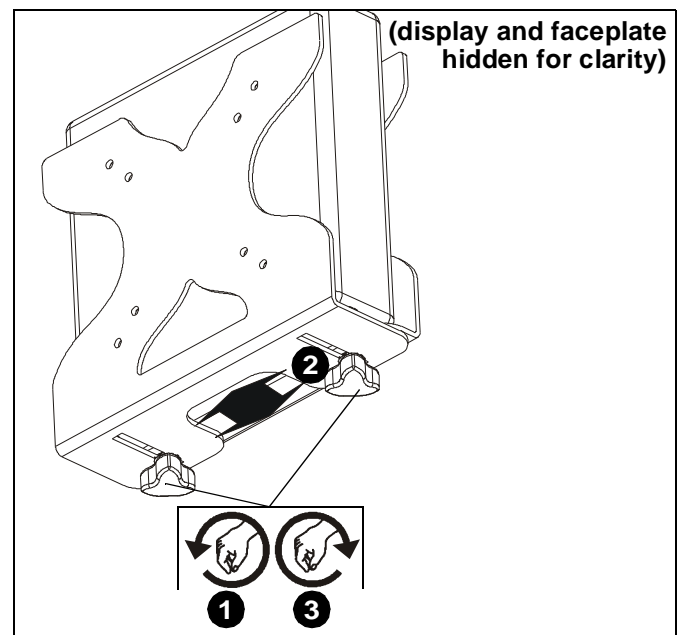


Figure 8

Strap Installation (Optional)

NOTE: The straps are provided as an option if additional support is desired for the CPU within the KRA234. Straps may be wrapped around the unit in any direction or location depending on user preference.

1. Wrap straps (B) around mount frame (A) to provide further security. (See Figure 9)

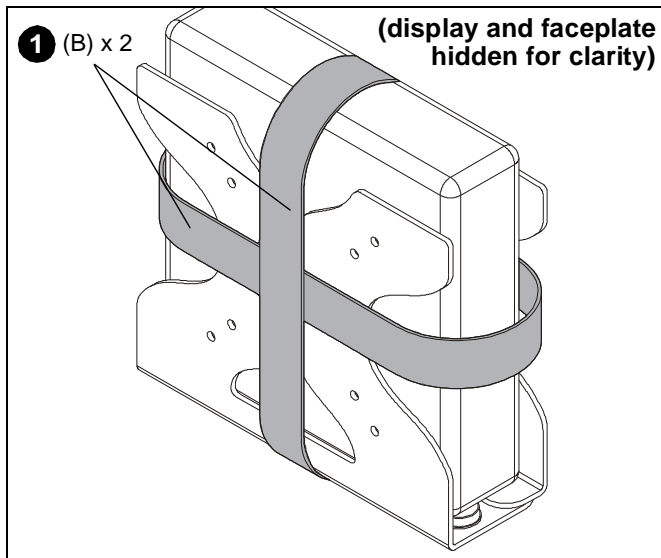


Figure 9



Our Mounts. **Your Vision.**

Chief, a products division of
Milestone AV Technologies

8800-002748 Rev01
©2015 Milestone AV Technologies
www.chiefmfg.com
10/15

USA/International	A 6436 City West Parkway, Eden Prairie, MN 55344 P 800.582.6480 / 952.225.6000 F 877.894.6918 / 952.894.6918
Europe	A Franklinstraat 14, 6003 DK Weert, Netherlands P +31 (0) 495 580 852 F +31 (0) 495 580 845
Asia Pacific	A Office No. 918 on 9/F, Shatin Galleria 18-24 Shan Mei Street Fotan, Shatin, Hong Kong P 852 2145 4099 F 852 2145 4477

