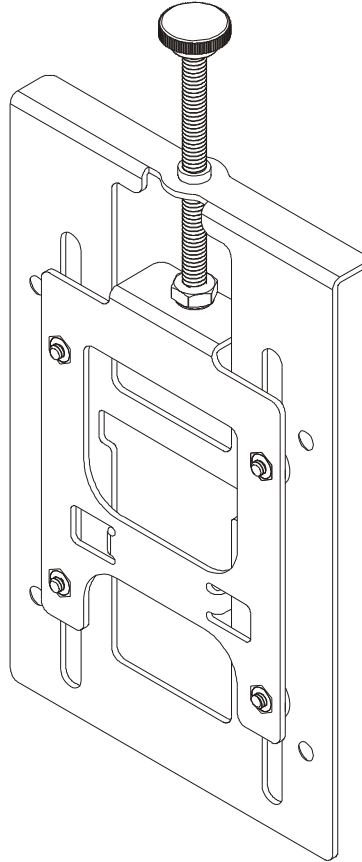

INSTALLATION INSTRUCTIONS



Kontour™ Height Adjustment Accessory

DISCLAIMER

Milestone AV Technologies and its affiliated corporations and subsidiaries (collectively "Milestone"), intend to make this manual accurate and complete. However, Milestone makes no claim that the information contained herein covers all details, conditions or variations, nor does it provide for every possible contingency in connection with the installation or use of this product. The information contained in this document is subject to change without notice or obligation of any kind. Milestone makes no representation of warranty, expressed or implied, regarding the information contained herein. Milestone assumes no responsibility for accuracy, completeness or sufficiency of the information contained in this document.

Chief® is a registered trademark of Milestone AV Technologies. All rights reserved.



IMPORTANT SAFETY INSTRUCTIONS



WARNING: A WARNING alerts you to the possibility of serious injury or death if you do not follow the instructions.



CAUTION: A CAUTION alerts you to the possibility of damage or destruction of equipment if you do not follow the corresponding instructions.



WARNING: Failure to read, thoroughly understand, and follow all instructions can result in serious personal injury, damage to equipment, or voiding of factory warranty! It is the installer's responsibility to make sure all components are properly assembled and installed using the instructions provided.



WARNING: Failure to provide adequate structural strength for this component can result in serious personal injury or damage to equipment! It is the installer's responsibility to make sure the structure to which this component is attached can support five times the combined weight of all equipment. Reinforce the structure as required before installing the component.



WARNING: Exceeding the weight capacity can result in serious personal injury or damage to equipment! It is the installer's responsibility to make sure the combined weight of all components located on the KRA235 does not exceed 25 lbs (11.34 kg) or the weight limit of the mount to which it is attached. All K3 and K4 Series mounts have a weight limit of 15 lbs (6.8 kg) per display.



WARNING: Use this mounting system only for its intended use as described in these instructions. Do not use attachments not recommended by the manufacturer.



WARNING: Never operate this mounting system if it is damaged. Return the mounting system to a service center for examination and repair.

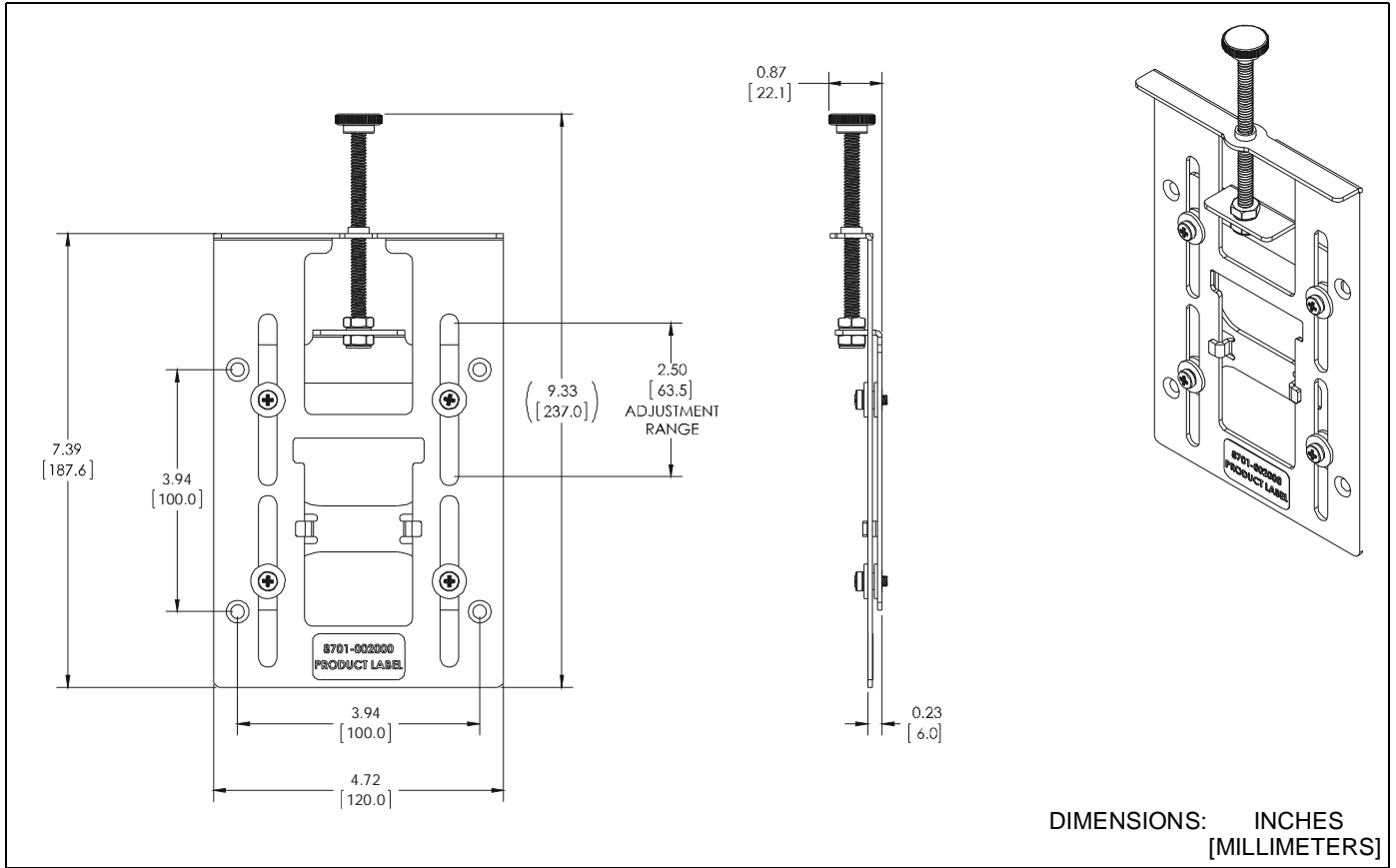


WARNING: Do not use this product outdoors.

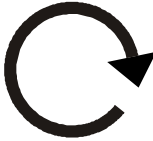

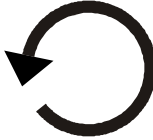









IMPORTANT ! : The KRA235 accessory is designed to be an accessory for the following K3 and K4 Series array mounts: K3F220, K3F310, K3G220, K3G310, K3G320, K4W210, K4W310, K4G210, K4G310, K4G220, K4G320, K4S210, K4S310, K4G410, K4G510, K4G610, K4G420, K4G520 and K4G620. Do NOT attempt to use the KRA235 accessory with any other type of mount!

--SAVE THESE INSTRUCTIONS--

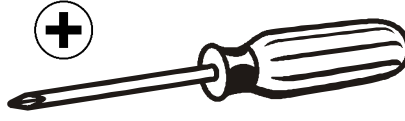
DIMENSIONS



LEGEND

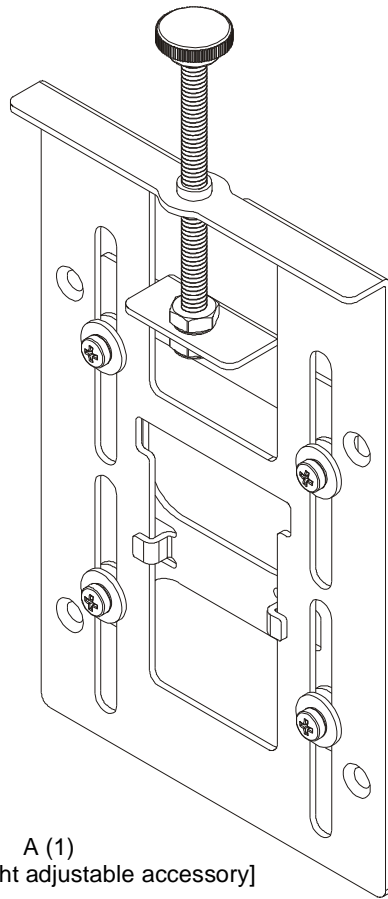
	Tighten Fastener Apretar elemento de fijación Befestigungsteil festziehen Apertar fixador Serrare il fissaggio Bevestiging vastdraaien Serrez les fixations		Pencil Mark Marcar con lápiz Stiftmarkierung Marcar com lápis Segno a matita Potloodmerkteken Marquage au crayon
	Loosen Fastener Aflojar elemento de fijación Befestigungsteil lösen Desapertar fixador Allentare il fissaggio Bevestiging losdraaien Desserrez les fixations		Drill Hole Perforar Bohrloch Fazer furo Praticare un foro Gat boren Percez un trou
	Phillips Screwdriver Destornillador Phillips Kreuzschlitzschraubendreher Chave de fendas Phillips Cacciavite a stella Kruiskopschroevendraaier Tournevis à pointe cruciforme		Adjust Ajustar Einstellen Ajustar Regolare Afstellen Ajuster
	Open-Ended Wrench Llave de boca Gabelschlüssel Chave de bocas Chiave a punte aperte Steeksleutel Clé à fourche		Remove Quitar Entfernen Remover Rimuovere Verwijderen Retirez
	By Hand A mano Von Hand Com a mão A mano Met de hand À la main		Optional Opcional Optional Opcional Opzionale Optie En option
	Hex-Head Wrench Llave de cabeza hexagonal Sechskantschlüssel Chave de cabeça sextavada Chiave esagonale Zeskantsleutel Clé à tête hexagonale		Security Wrench Llave de seguridad Sicherheitsschlüssel Chave de segurança Chiave di sicurezza Veiligheidssleutel Clé de sécurité

TOOLS REQUIRED FOR INSTALLATION

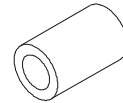


#2

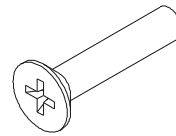
PARTS



A (1)
[Height adjustable accessory]



B (4)
1/2"



C (4)
M4 x 20mm

ASSEMBLY AND INSTALLATION

IMPORTANT ! : The KRA235 accessory is designed to be an accessory for the following K3 and K4 Series array mounts: K3F220, K3F310, K3G220, K3G310, K3G320, K4W210, K4W310, K4G210, K4G310, K4G220, K4G320, K4S210, K4S310, K4G410, K4G510, K4G610, K4G420, K4G520 and K4G620. Do NOT attempt to use the KRA235 accessory with any other type of mount!



WARNING: Exceeding the weight capacity can result in serious personal injury or damage to equipment! It is the installer's responsibility to make sure the combined weight of all components located on the KRA235 does not exceed 25 lbs (11.34 kg) or the weight limit of the mount to which it is attached. All K3 and K4 Series mounts have a weight limit of 15 lbs (6.8 kg) per display.

1. Carefully place display face down on protective surface.
2. Use four M4 x 20mm Phillips flat head screws (C) and four 1/2" spacers (B) to secure KRA235 to back of display. (See Figure 1)

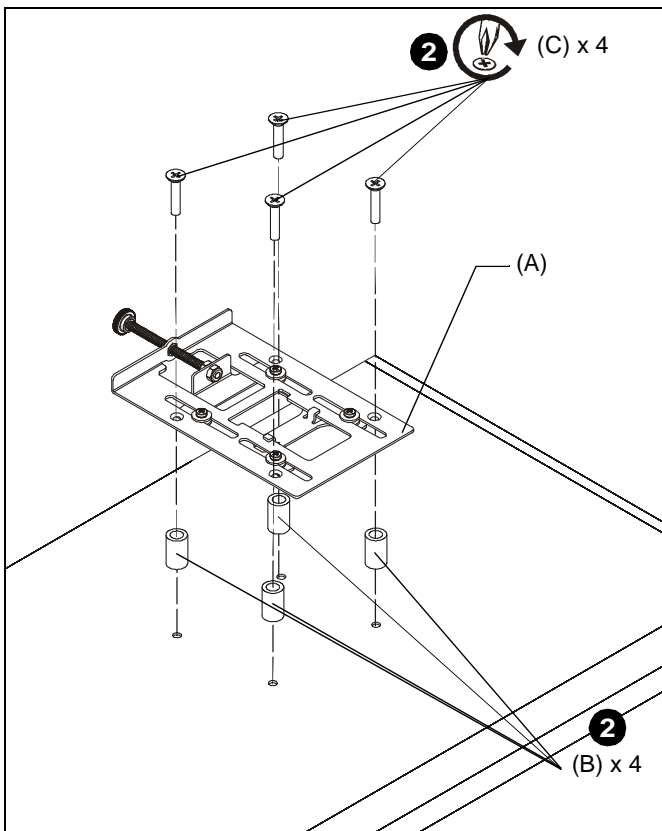


Figure 1

3. Remove lower two pre-installed Phillips screws from KRA235. Set screws aside for re-use. (See Figure 2)

IMPORTANT ! : Make sure washers under removed screws stay in position over mounting holes. (See Figure 2)

4. Loosen upper two pre-installed Phillips screws on KRA235. (See Figure 2)

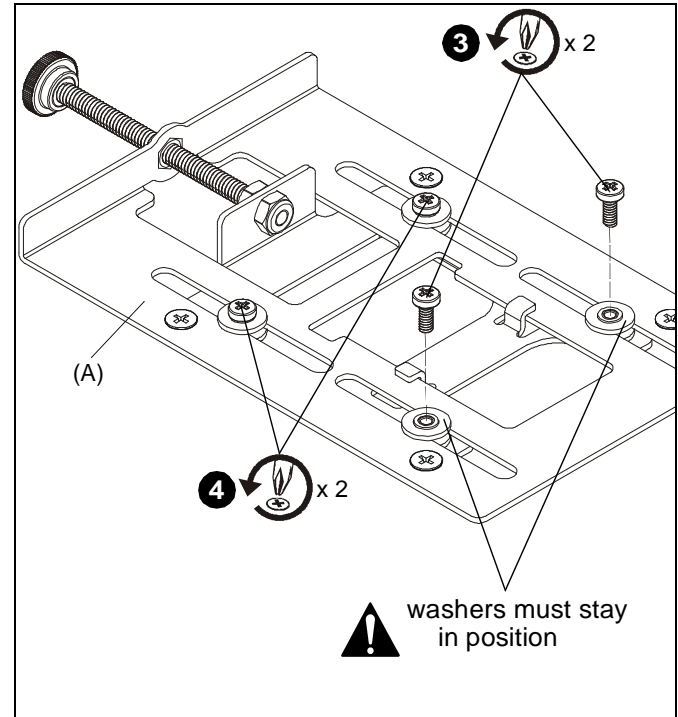


Figure 2

5. Place K3 or K4 head assembly on back of KRA235 mount and slide until the two upper screws are positioned in the upper 75mm x 75mm mounting holes of the K3/K4 head assembly. (See Figure 3)

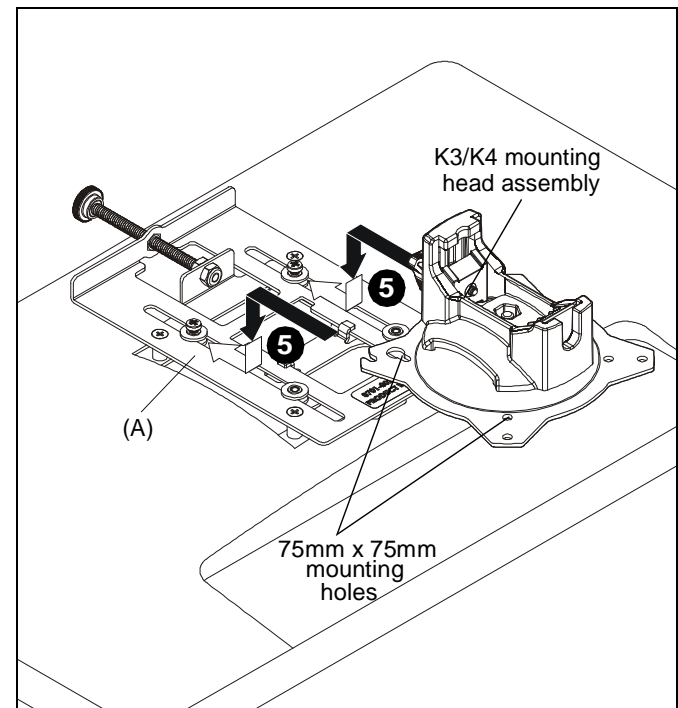


Figure 3

6. Tighten upper two screws. (See Figure 4)
7. Re-install two Phillips screws that were removed in Step 4 through lower inside mounting holes on K3/K4 head assembly. (See Figure 4)

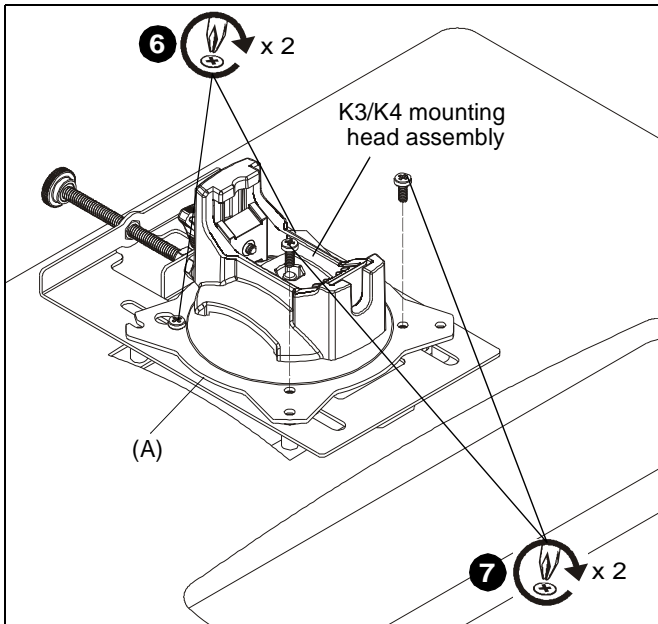


Figure 4

8. Re-install K3/K4 mounting head to array arm.

Height Adjustment

1. Turn height adjustment knob clockwise to raise display level. (See Figure 5)
2. Turn height adjustment knob counter-clockwise to lower display level. (See Figure 5)

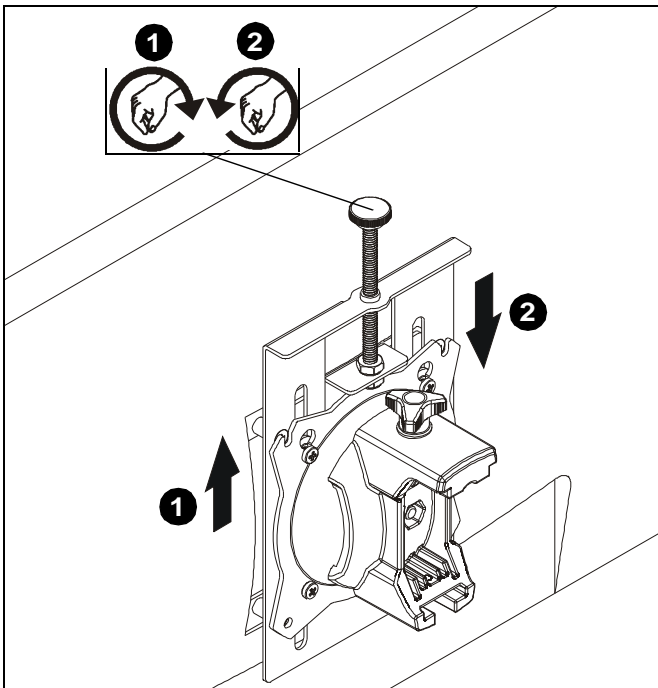


Figure 5



Our Mounts. **Your Vision.**

Chief, a products division of
Milestone AV Technologies

8800-002752 Rev00
©2015 Milestone AV Technologies
www.chiefmfg.com
08/15

USA/International	A 6436 City West Parkway, Eden Prairie, MN 55344
	P 800.582.6480 / 952.225.6000
	F 877.894.6918 / 952.894.6918
Europe	A Franklinstraat 14, 6003 DK Weert, Netherlands
	P +31 (0) 495 580 852
	F +31 (0) 495 580 845
Asia Pacific	A Office No. 918 on 9/F, Shatin Galleria 18-24 Shan Mei Street Fotan, Shatin, Hong Kong
	P 852 2145 4099
	F 852 2145 4477

