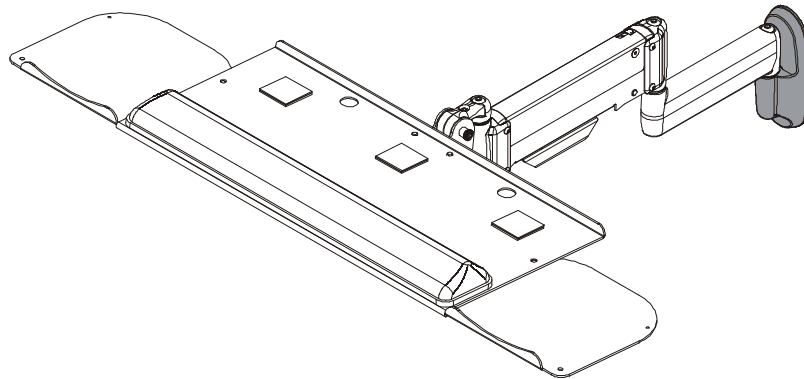
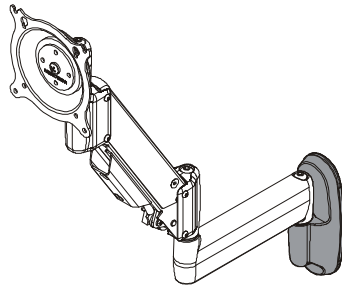


INSTALLATION INSTRUCTIONS



Wall Plate Accessory

DISCLAIMER

Milestone AV Technologies and its affiliated corporations and subsidiaries (collectively "Milestone"), intend to make this manual accurate and complete. However, Milestone makes no claim that the information contained herein covers all details, conditions or variations, nor does it provide for every possible contingency in connection with the installation or use of this product. The information contained in this document is subject to change without notice or obligation of any kind. Milestone makes no representation of warranty, expressed or implied, regarding the information contained herein. Milestone assumes no responsibility for accuracy, completeness or sufficiency of the information contained in this document.

Chief® is a registered trademark of Milestone AV Technologies. All rights reserved.

! IMPORTANT SAFETY INSTRUCTIONS!

! WARNING: A WARNING alerts you to the possibility of serious injury or death if you do not follow the instructions.

! CAUTION: A CAUTION alerts you to the possibility of damage or destruction of equipment if you do not follow the corresponding instructions.

! WARNING: Failure to read, thoroughly understand, and follow all instructions can result in serious personal injury, damage to equipment, or voiding of factory warranty! It is the installer's responsibility to make sure all components are properly assembled and installed using the instructions provided.

! WARNING: Failure to provide adequate structural strength for this component can result in serious personal injury or damage to equipment! It is the installer's responsibility to make sure the structure to which this component is attached can support five times the combined weight of all equipment. Reinforce the structure as required before installing the component.

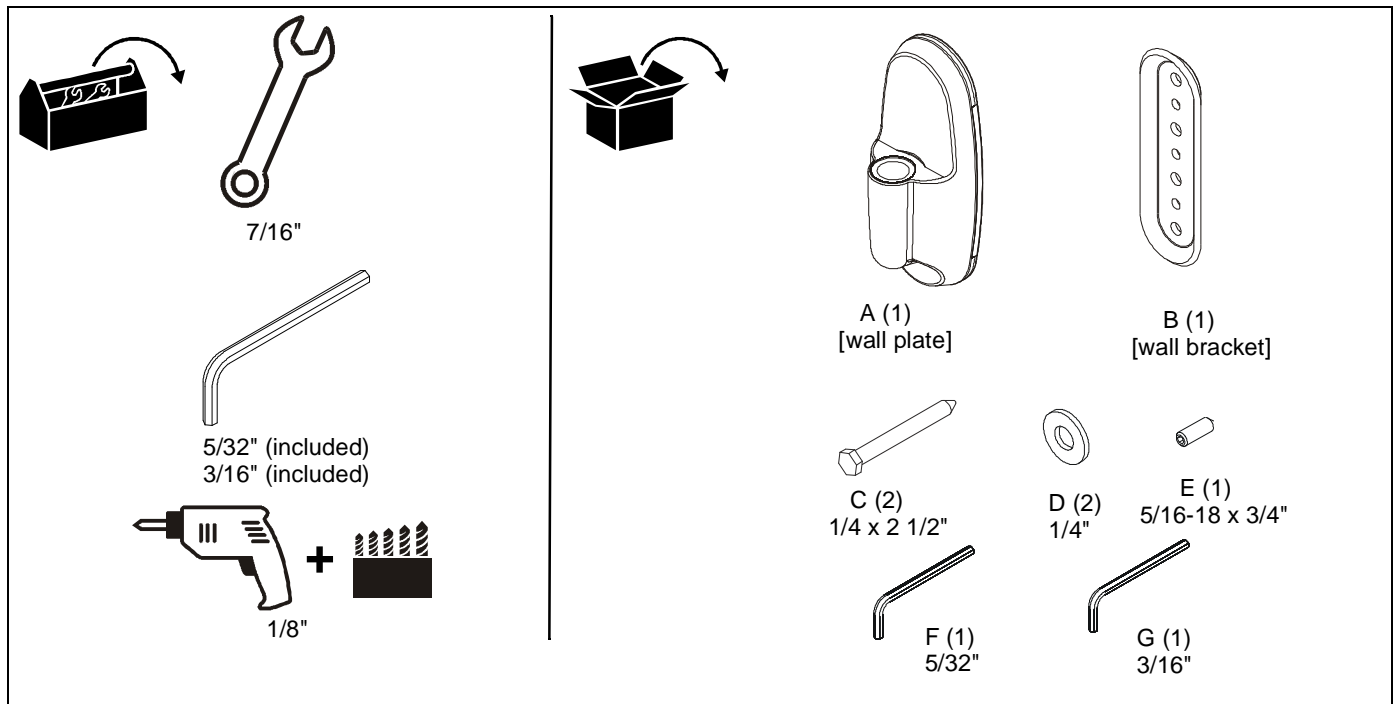
! WARNING: Exceeding the weight capacity can result in serious personal injury or damage to equipment! It is the installer's responsibility to make sure the combined weight of all components mounted to the KSA1001 does not exceed 40 lbs (18.1 kg) or the lowest weight limit of any component used with the KSA1001.

! WARNING: Do NOT use this product outdoors.

! WARNING: Use this product only for its intended use as described in these instructions. Do not use attachments not recommended by the manufacturer.

--SAVE THESE INSTRUCTIONS--

TOOLS / PARTS FOR INSTALLATION



ASSEMBLY AND INSTALLATION

1. Using the 3/16" hex key (G), remove the button head cap screw securing the monitor interface to the arm or other modular flat panel arm component (i.e. desk clamp).
2. Using the wall bracket as a template, mark and drill two 1/8" pilot holes to a minimum depth of 1 1/2". (See Figure 1)
3. Using two 1/4 x 2 1/2" hex head lag screws (C) and two 1/4" washers (D), secure the wall bracket (B) to wall. (See Figure 1)

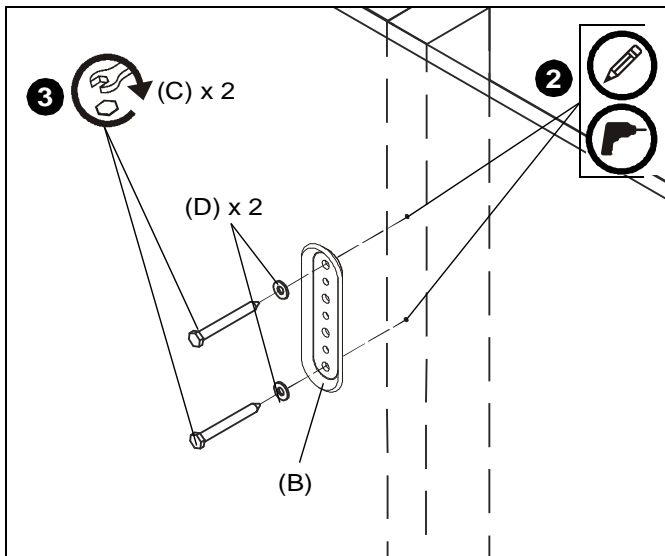


Figure 1

4. Install components at pivot in order following mount's installation instructions.
5. Using the 3/16" hex key (G), tighten the button head cap screw until the desired amount of pivoting friction is achieved.
6. Install the KSA1001 on the wall bracket by placing the top of the KSA1001 over the top of the wall bracket and pushing the bottom of the KSA1001 over the bottom of the wall bracket. (See Figure 2)

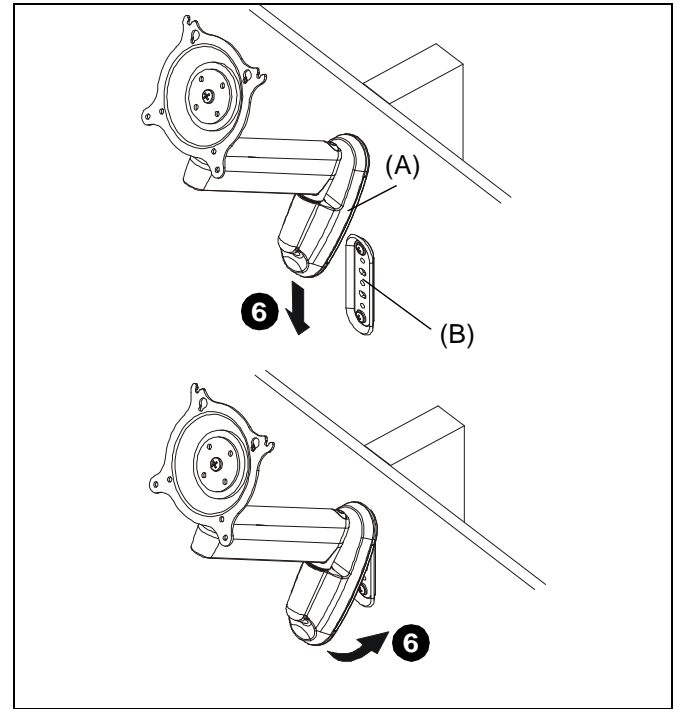


Figure 2

7. Using the 5/32" hex key (F), secure the KSA1001 to the wall bracket (B) by tightening the set screw (E). (See Figure 3)

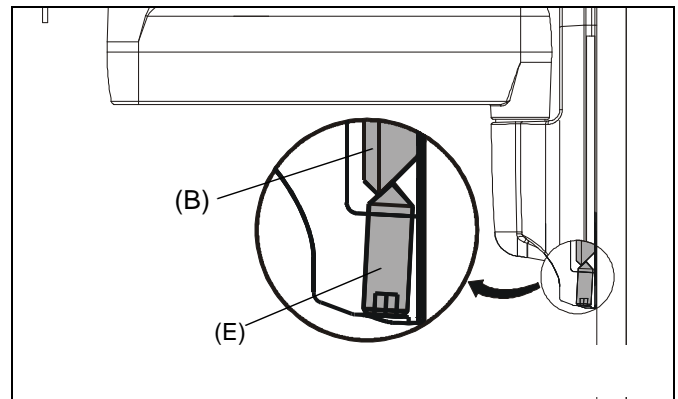


Figure 3

8. Proceed with mount installation according to the mount's installation instructions.



Our Mounts. **Your Vision.**

Chief Manufacturing, a products division
of Milestone AV Technologies

8800-002341 Rev00
©2013 Milestone AV Technologies, a
Duchossois Group Company
www.chiefmfg.com
04/13

USA/International	A 6436 City West Parkway, Eden Prairie, MN 55344 P 800.582.6480 / 952.225.6000 F 877.894.6918 / 952.894.6918
Europe	A Franklinstraat 14, 6003 DK Weert, Netherlands P +31 (0) 495 580 852 F +31 (0) 495 580 845
Asia Pacific	A Office No. 1 on 12/F, Shatin Galleria 18-24 Shan Mei Street Fotan, Shatin, Hong Kong P 852 2145 4099 F 852 2145 4477

