
INSTALLATION INSTRUCTIONS

Small Flat Panel

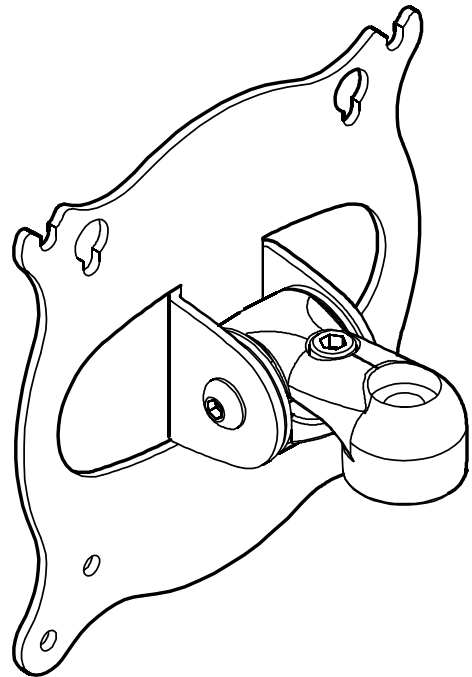
Extreme Pitch Mechanism

Model: KSA-1006

The KSA-1006 Extreme Pitch Mechanism is an accessory kit for Small Flat Panel Display mounts.

Specifications:

- fixed axis
- 90 degrees maximum upward tilt
- 25 degrees maximum downward tilt
- 20 pounds (9.1kg) capacity
- accommodates displays up to 30 inches wide.
- VESA® 75mm/100mm compliant



BEFORE YOU BEGIN



WARNING: It is the installer's responsibility to make sure all components are properly assembled and installed using the instructions provided. Failure to read, thoroughly understand, and follow all instructions can result in serious personal injury, damage to equipment, or voiding of factory warranty.

- If you have any questions about these instructions or your specific installation, contact Chief Manufacturing.

©Chief is a registered trademark of Milestone AV Technologies. All rights reserved.



Our Mounts. **Your Vision.**

Chief Manufacturing,
a products division of Milestone AV Technologies
8401 Eagle Creek Parkway, Savage, MN 55378
• P: 800.582.6480 / 952.894.6280 • F: 877.894.6918 / 952.894.6918

8807-000032 RevE
©2009 Milestone AV Technologies, a
Duchossois Group Company
www.chiefmfg.com

04/09



IMPORTANT WARNINGS AND CAUTIONS!

WARNING: A WARNING alerts you to the possibility of serious injury or death if you do not follow the instructions.

CAUTION: A CAUTION alerts you to the possibility of damage or destruction of equipment if you do not follow the corresponding instructions.



WARNING: Failure to provide adequate structural strength for this component can result in serious personal injury or damage to equipment! It is the installer’s responsibility to make sure the structure to which this component is attached can support five times the combined weight of all equipment. Reinforce the structure as required before installing the component.



WARNING: Exceeding the weight capacity can result in serious personal injury or damage to equipment! It is the installer’s responsibility to make sure the combined weight of all components does not exceed 20 lbs (9.1 kg).

CONTENTS

IMPORTANT WARNINGS AND CAUTIONS!	2
CONTENTS	2
TOOLS REQUIRED FOR INSTALLATION	3
PARTS	3
INSTALLATION	4
Preparation of Existing Mount	4
Display Installation	4
Flush VESA® Mount Installation	4
Recessed VESA® Mount Installation	5
Installing KSA-1006 with Display to Mount	5
ADJUSTMENTS	6

TOOLS REQUIRED FOR INSTALLATION

- Phillips screwdrivers, No. 1 and No. 2
- 5/32" Hex Wrench

NOTE: Other tools may be required depending on your method of installation.

PARTS

Unpack carton, inspect and verify contents. Read installation instructions completely. If any listed parts are missing, contact a Chief Customer Service Representative.

Table 1: Definitions

ABBR.	Description
PPHS	Phillips Pan Head Screw
LW	Lockwasher
FW	Flat Washer
HHCS	Hex Head Cap Screw
LNNY	Nylock Locknut
PFHS	Phillips Flat Head Screw
BHCS	Button Head Cap Screw

Table 2: Parts

Item	Description	Qty
10	EXTENDED PITCH MECHANISM	1
20	WASHER, Flat, UHMW, 640ID X .845OD X .094	1
30*	SCREW, Button Head Cap, 5/16-18 X 2.75"	1
30**	SCREW, Button Head Cap, 5/16-18 X 3.75"	
40	PIN, PIVOT, SFP HRA	1
50	NOT USED	
60	NOT USED	
70	NOT USED	
80	WASHER, FLAT, .260 X .750 X .048 SS	2
90	WASHER, UHMWPE, 318X.031	1
100	LNNY2518Z105	1
110	NOT USED	
120	SCREW, Phillips Pan Head, M4 X 12MM	4
130	SCREW, Phillips Pan Head, M4 X 20MM	4
140	SPACER, Nylon, 3/8" (Used with item 130)	4
150	SCREW, Phillips Pan Head, M4 X 30MM	4
160	SPACER, Nylon, 3/4" (Used with item 150)	4
170	WRENCH, Hex, 3/16"	1

* Used if mount has a Swing Arm

** Used if mount has a Height Adjustable arm

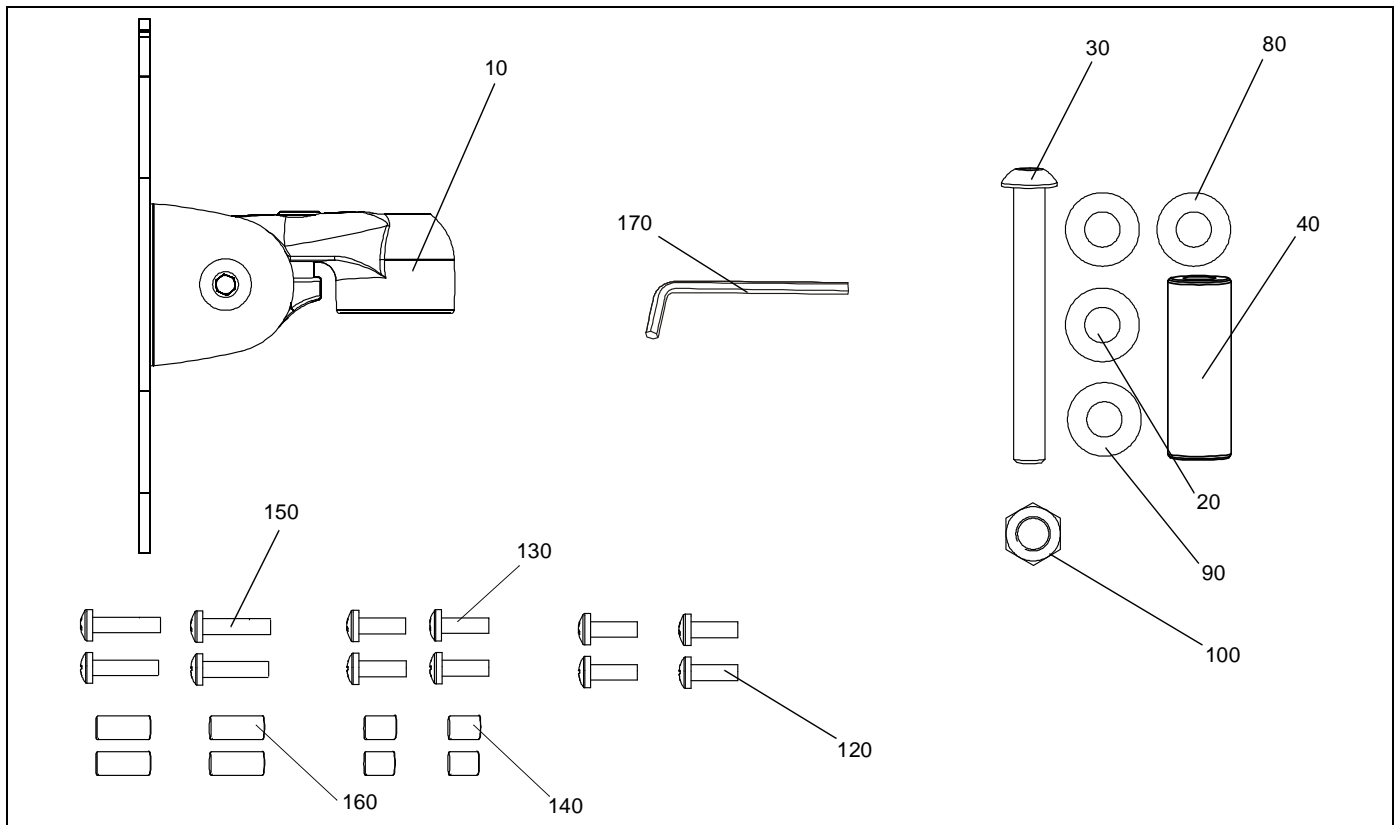


Figure 1: PARTS

INSTALLATION

Preparation of Existing Mount

If the KSA-1006 is being used on an existing mount, the display must be removed and mount modified before proceeding with installation. If the KSA-1006 is being used with a new mount, proceed to KSA-1006 Installation below.

To remove display:

1. Disconnect power/audio/video cables from display.
2. Remove BHCS (30), FW (20, 80 and 90), pivot pin (40), and locknut (100) from mount.
3. Remove screws securing display to interface.

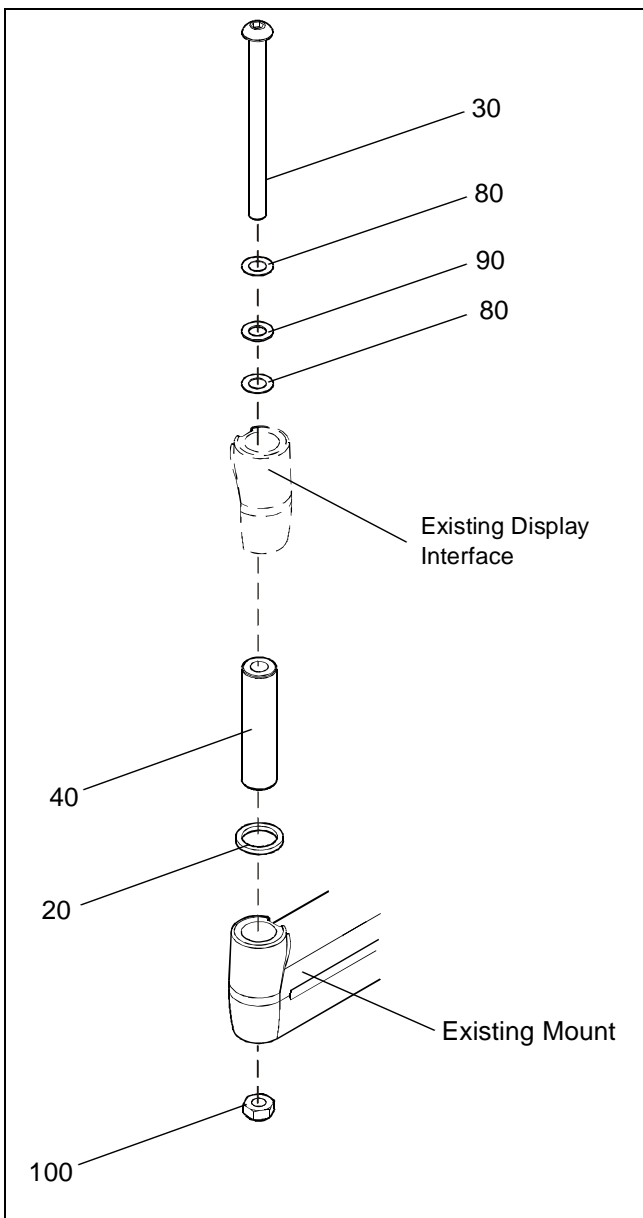


Figure 2: Remove Existing Display Mounting Bracket

Display Installation

The KSA-1006 is designed to be mounted to displays with either a flush or recessed back, and VESA® compliant 75mm x75mm or 100mm x 100mm mounting patterns.

The mounting pattern in display must be identified before proceeding. After identification, choose the appropriate display installation instructions below.



CAUTION: IMPROPER INSTALLATION CAN LEAD TO DISPLAY FALLING! The KSA-1006 is designed to accommodate displays with either a VESA® 75mm x 75mm or 100mm x 100mm mounting pattern. If the display being mounted has a different mounting pattern, a custom interface must be used.

Flush VESA® Mount Installation



CAUTION: IMPROPER INSTALLATION CAN LEAD TO DISPLAY FALLING! Use only hardware provided and referenced within these instructions. DO NOT substitute!

1. Place display face down on a clean dry surface.
2. Orient extended pitch mechanism with display top. (See Figure 3)
3. Align four mounting holes in extended pitch mechanism (10) with four mounting holes in display back. (See Figure 3)
4. Secure extended pitch mechanism (10) to display using four PPHS (120). (See Figure 3)
5. Proceed to **Installing KSA-1006 with Display to Mount** section.

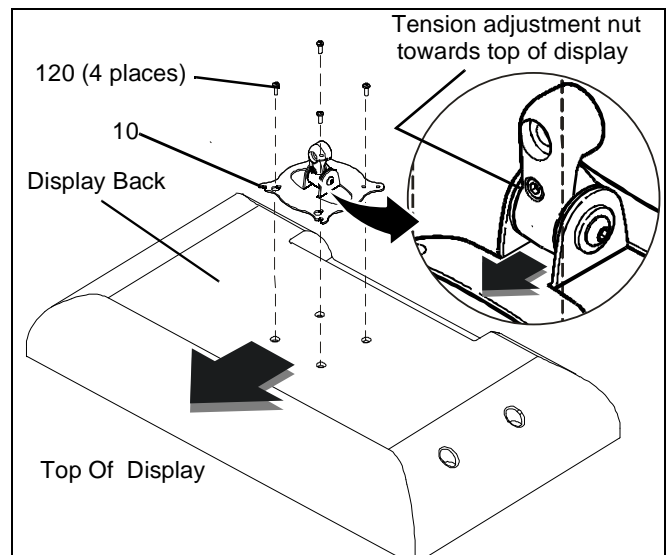


Figure3: VESA® Flush Mount

Recessed VESA Mount Installation



CAUTION: IMPROPER INSTALLATION CAN LEAD TO DISPLAY FALLING! Use only hardware provided and referenced within these instructions. DO NOT substitute!

1. Place display face down on a clean dry surface.
2. Orient extended pitch mechanism with display top.
3. Place four spacers (140 or 160) over mounting holes in display back.

NOTE: Spacers may not be required on some displays.

4. Align four mounting holes in extended pitch mechanism (10) over four spacers (140 or 160).
5. Secure extended pitch mechanism (10) to display using four PPHS (130 or 150).
6. Proceed to **Installing KSA-1006 with Display to Mount** section.

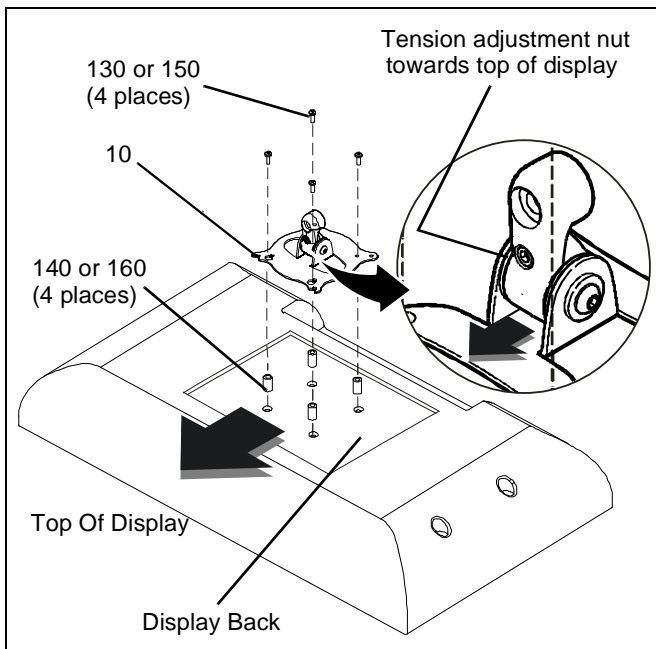


Figure 4: Recessed VESA® Mount

Installing KSA-1006 with Display to Mount



WARNING: IMPROPER INSTALLATION CAN LEAD TO DISPLAY FALLING! The combined weight of the display placed on the KSA-1006 must not exceed 20 lbs. (9.1kg), the maximum load capacity of the KSA-1006.



CAUTION: IMPROPER INSTALLATION CAN LEAD TO DISPLAY FALLING! Use only hardware provided and referenced within these instructions. DO NOT substitute!

1. Place one UHMW washer (20) into recessed seat in existing mount. (See Figure 5)
2. Insert pivot pin (40) through UHMW washer (20) and into existing mount. (See Figure 5)
3. Assemble two FW (80) to BHCS (30). (See Figure 5)

IMPORTANT ! : Length of BHCS (30) varies depending upon type of existing mount. If existing mount is "swing arm" use 5/8-16 x 2.75" capscrew, if existing mount is "height adjustable" use 5/8-16 x 3.75" capscrew.

4. Align mounting hole in extreme pitch mechanism (10) with mounting hole in mount. (See Figure 5)
5. Insert LN (100) up into bottom mounting hole in mount. (See Figure 5)

IMPORTANT ! : Crown of locknut (100) should be facing downward when properly oriented.

6. Insert BHCS (30) with washers (80 and 90) down through pivot pin (40) in mount and thread into LN (100). (See Figure 5)

NOTE: It may be necessary to hold locknut (100) in place while assembling BHCS (30).

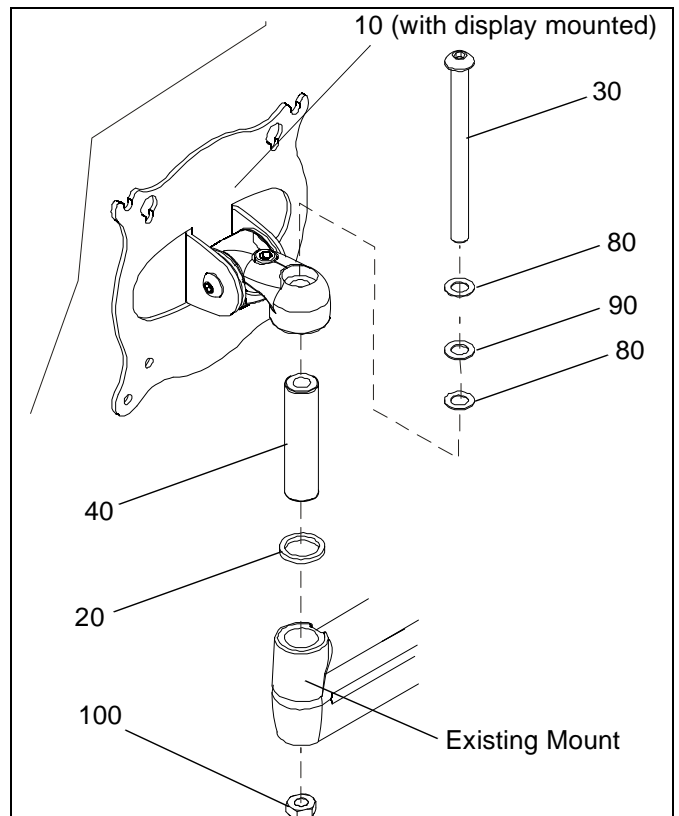


Figure 5: Install KSA-1006 with Display to Mount

ADJUSTMENTS

The KSA-1006 provides for up to 90° of upward pitch, and 25° of downward pitch.

To adjust display pitch tension:

1. Move mount forward and back to test tension.
2. Turn pitch adjustment nut clockwise to increase tension and counter-clockwise to decrease tension. (See Figure 6)
3. Repeat until desired tension is obtained.



CAUTION: DO NOT OVERTIGHTEN ADJUSTMENT SCREW. Adjustment screw should never be turned more than 1/4 turn past tight.

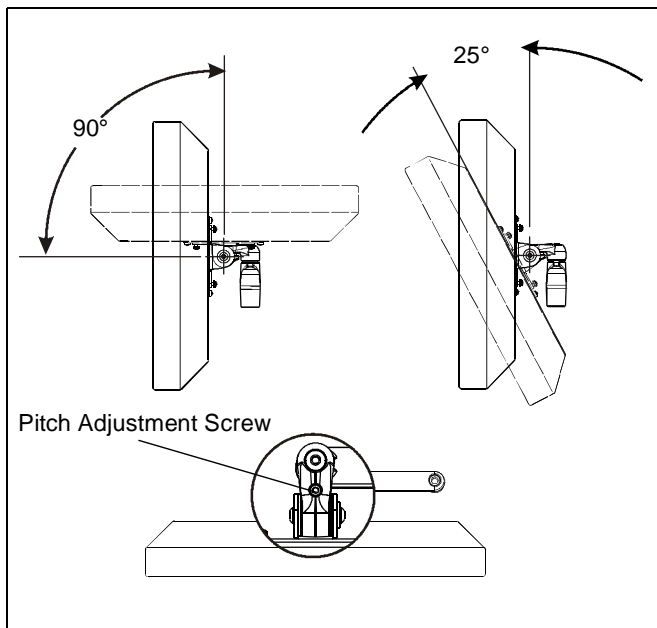


Figure 6: KSA-1006 Pitch Adjustments

