



INSTALLATION INSTRUCTIONS

KSA-1007

SMALL FLAT PANEL DISPLAY QUICK RELEASE BRACKET Exclusive Q2™ Mounting System

Prior to assembly, unpack carton completely and verify contents.

If you are missing any of the following components, please contact Customer Service at 1-800/582-6480

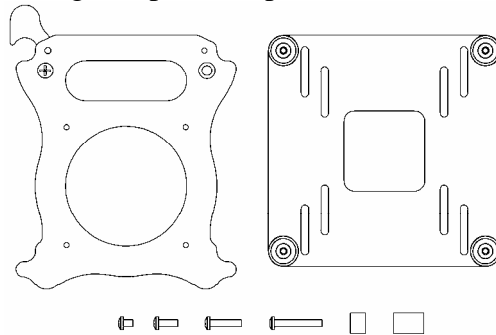


Figure 1

- | | |
|---------------------------|--|
| (1) Quick Release Bracket | (4) M4 X 6mm Phillips pan head screws |
| (1) Interface Bracket | (4) M4 X 12mm Phillips Pan Head Screws |
| (4) 3/8" Nylon Spacers | (4) M4 X 20mm Phillips Pan Head Screws |
| (4) 3/4" Nylon Spacers | (4) M4 X 30mm Phillips Pan Head Screws |

NOTE: To complete installation of FSA-1007 you must also order the correct interface bracket (FSB-4xxx). For VESA® compliant displays (75mm x 75mm or 100mm x 100mm), use FSB-4100B/S (black or silver). For all other non-compliant displays, contact Chief Manufacturing to find the appropriate FSB bracket.

BEFORE PROCEEDING, READ INSTALLATION INSTRUCTIONS COMPLETELY

CAUTION! Flat Panel Displays are Extremely Fragile.

1. Install quick release bracket on your 75mm VESA mounting device using four M4 X 6mm screws provided (see Figure 2).

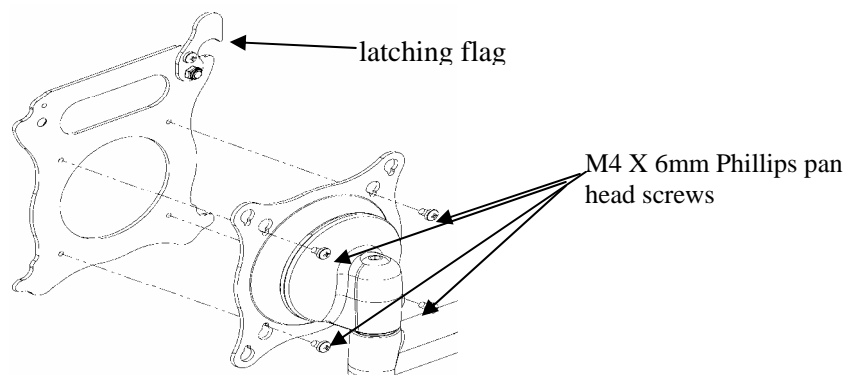


Figure 2

Flush Mount:

2. Secure the adapter plate to the flat panel display using M4 x 12mm screws (see Figure 3).

Recessed Mount:

3. Place four Nylon spacers (3/8" or 3/4" as necessary) over four mounting holes in flat panel display (see Figure 4).
4. Secure interface bracket to display using four M4 x 20mm screws with 3/8" Nylon spacers or four M4 x 30mm screws with 3/4" Nylon spacers.
5. Make sure the latching flag on the mounting bracket is in the unlocked position.
6. Place your small flat panel display; with interface bracket attached, onto the quick release bracket, making sure it is securely seated (see Figure 5).
7. Raise the latching flag on the quick release bracket, locking small flat panel display in place (see Figure 6).

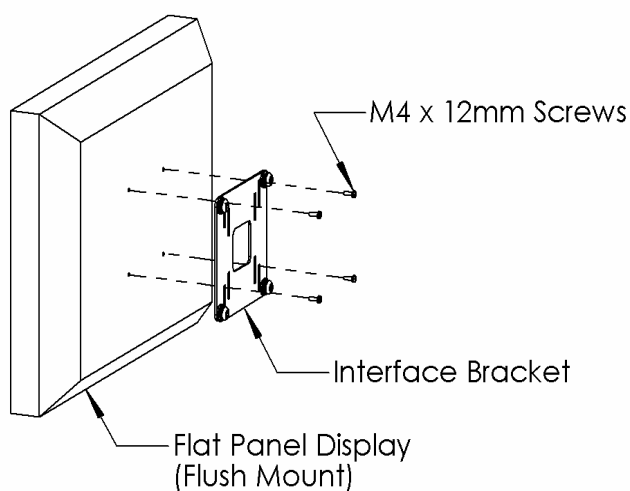


Figure 3

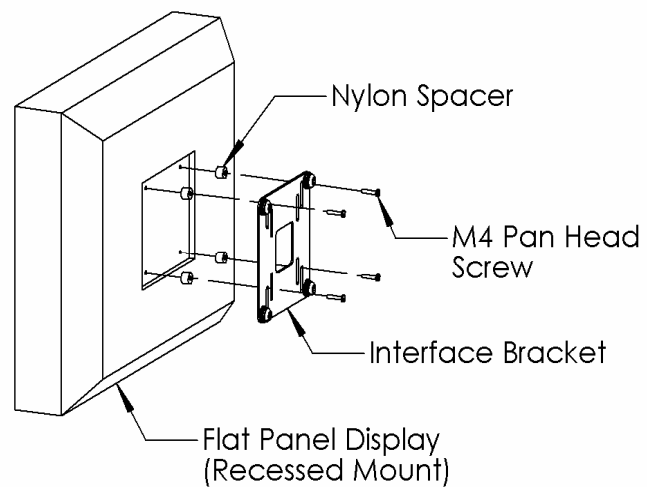


Figure 4

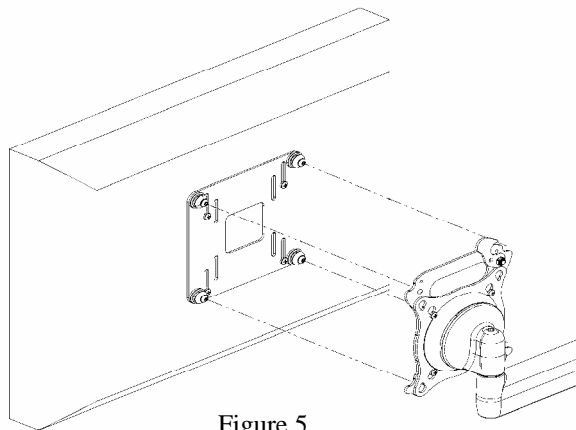


Figure 5

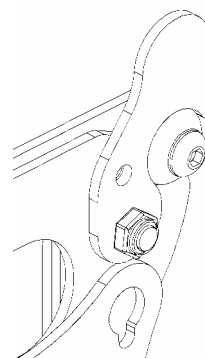


Figure 6