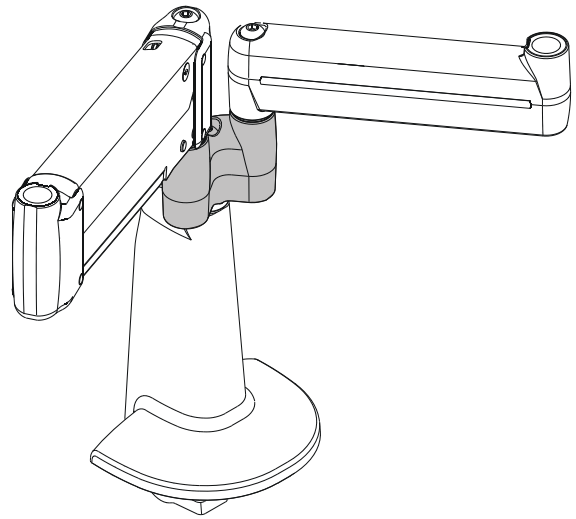

INSTALLATION INSTRUCTIONS

Y-Connector Accessory (For Multi-Dual Arm Mounting Systems)

Model: KSA-1011

Specifications:

- Installs to K-Series desk or wall mount.
- Accommodates K-Series mounting arms (fixed and height adjustable).
- Weight capacity of 40 lbs (18 kg) total for all equipment attached to KSA-1011.



KSA-1011

Shown with optional desk mount and mounting arms;
wall mount similar.

BEFORE YOU BEGIN



WARNING: It is the installer's responsibility to make sure all components are properly assembled and installed using the instructions provided. Failure to read, thoroughly understand, and follow all instructions can result in serious personal injury, damage to equipment, or voiding of factory warranty.

- If you have any questions about these instructions or your specific installation, contact Chief Manufacturing at 1-800-582-6480 or 952-894-6280.



IMPORTANT WARNINGS AND CAUTIONS!

WARNING: A WARNING alerts you to the possibility of serious injury or death if you do not follow the instructions.

CAUTION: A CAUTION alerts you to the possibility of damage or destruction of equipment if you do not follow the corresponding instructions.



WARNING: Exceeding the weight capacity can result in serious personal injury or damage to equipment! It is the installer's responsibility to make sure the combined weight of all components attached to the KSA-1011 (including both displays and interfaces) does not exceed 40 lbs (18 kg).

- The weight capacity of the KSA-1011 may be LIMITED to the lowest weight capacity of any other component located between the KSA-1011 and the supporting structure!



WARNING: Allowing any part of your body or component cables to be caught between movable parts can result in serious personal injury or damage to equipment!

TOOLS REQUIRED FOR INSTALLATION

- Pencil (with eraser; for desk mount)
- 3/16" Hex Key (included with desk and wall mount)
- 2.5mm Hex Key (included with desk mount)

NOTE: Other tools may be required depending on your method of installation.

PARTS

After unpacking carton, inspect and verify contents (See Figure 1). If any listed parts are missing or damaged, contact Chief Customer Service at 1-800-582-6480.

Table 1: Parts

Item	Description	Qty
10	Y-CONNECTOR	1
20	PIN, Pivot	1
30	SPACER, UHMW (plastic)	1
40	WASHER, Lock, External Tooth, 5/8"	5
50	SCREW, Button Head Cap, 5/16"-18 x 3-3/4"	1
60	WASHER, 5/16", UHMW (plastic)	1
70	WASHER, 5/16", Stainless Steel	2
80	NUT, Lock, Nylock, 5/16"-18	1
	MOUNT, Desk or Wall (Required, not included)	1-2

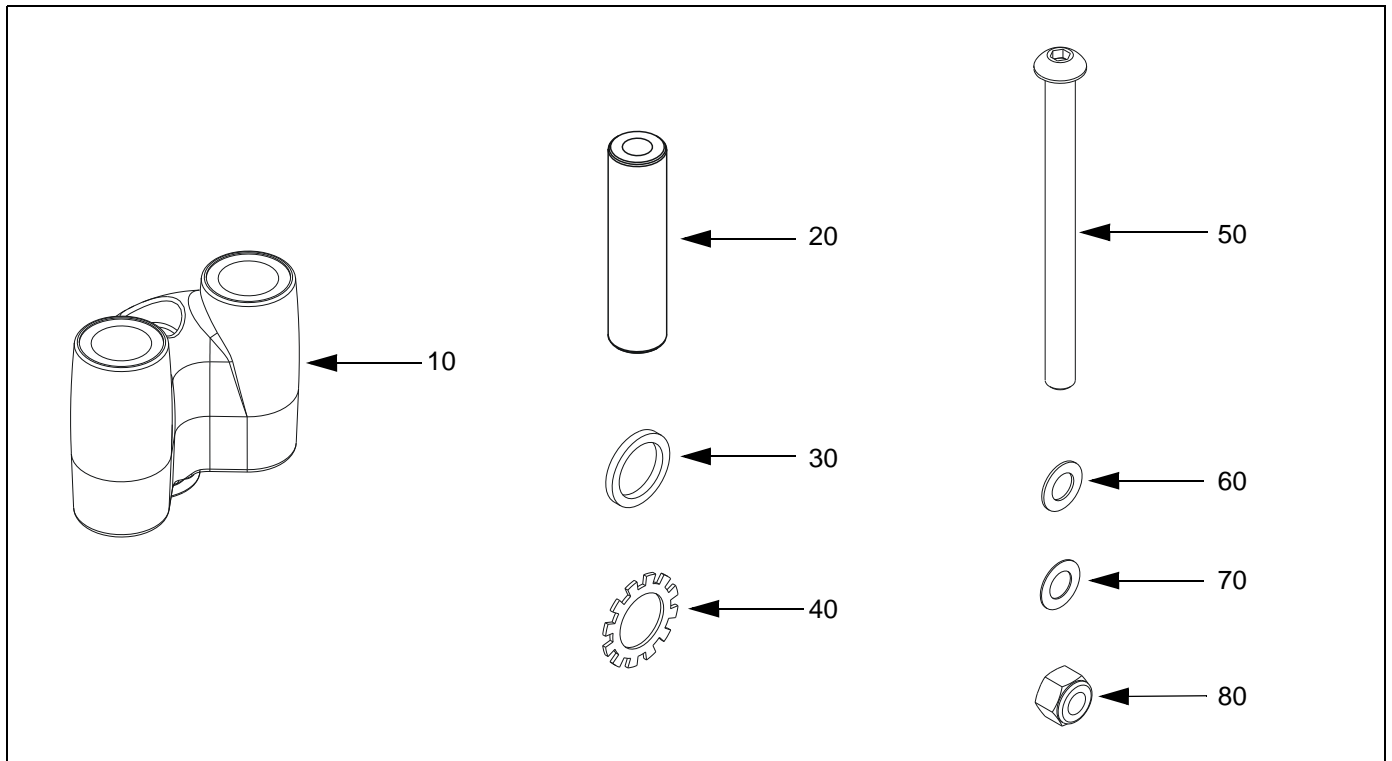


Figure 1: Parts

ASSEMBLY

ASSEMBLE Y-CONNECTOR TO MOUNT

Y-Connector (10) may be installed to either a desk or wall mount (mount not included). See applicable assembly instructions that follow.

Desk Mount

1. If previously attached, disconnect cables from display, then remove display. See instructions included with desk mount and/or interface.
2. If previously attached, loosen (do not remove) clamp attach screw (See Figure 2). Remove desk mount from desk. See instructions included with desk mount.

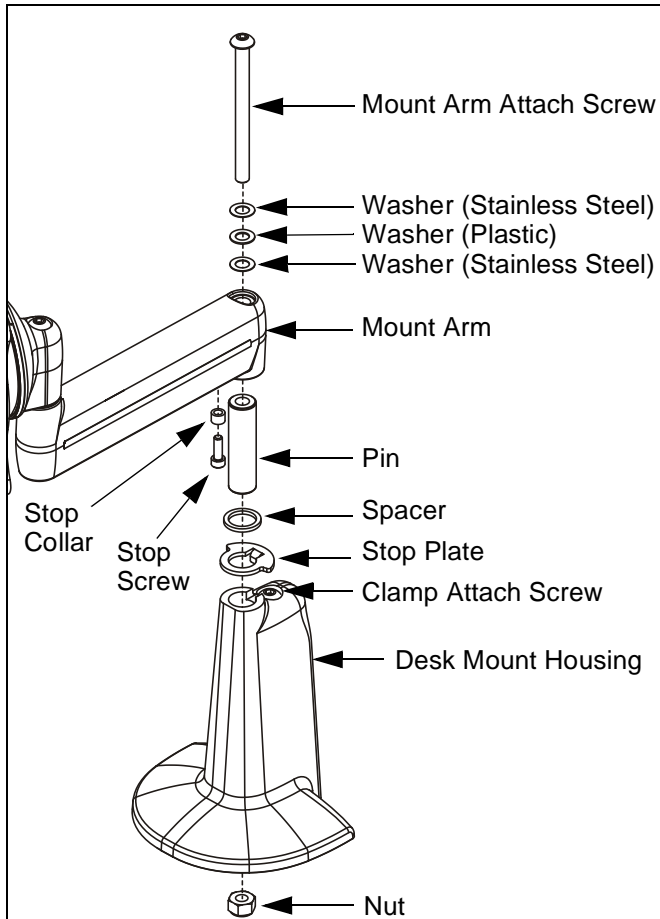


Figure 2: Disassemble Desk Mount

3. Turn mount assembly upside down and place in your lap. With one hand, grasp desk mount housing and lift slightly off lap. With other hand, using 3/16" hex key, loosen and remove mount arm attach screw and other related items (See Figure 2). Retain all items, except stop plate, for later mount arm assembly.

NOTE: Slightly lifting desk mount housing will keep nut in recessed cavity, assisting screw removal.

NOTE: After mount arm is removed, nut can be retrieved by turning desk mount housing upside down.

4. Remove stop screw and stop collar from mount arm (See Figure 2). These will not be reused with Y-connector (10).
5. Using 2.5mm hex key, remove and retain desk mount base plate and attach screws (See Figure 3).

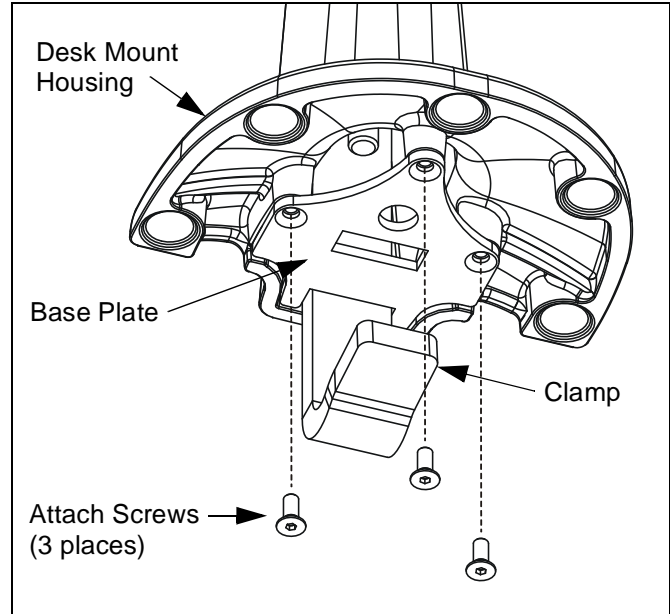


Figure 3: Desk Mount Base Plate

6. Turn desk mount housing right side up and install pin (20) into housing (See Figure 4).

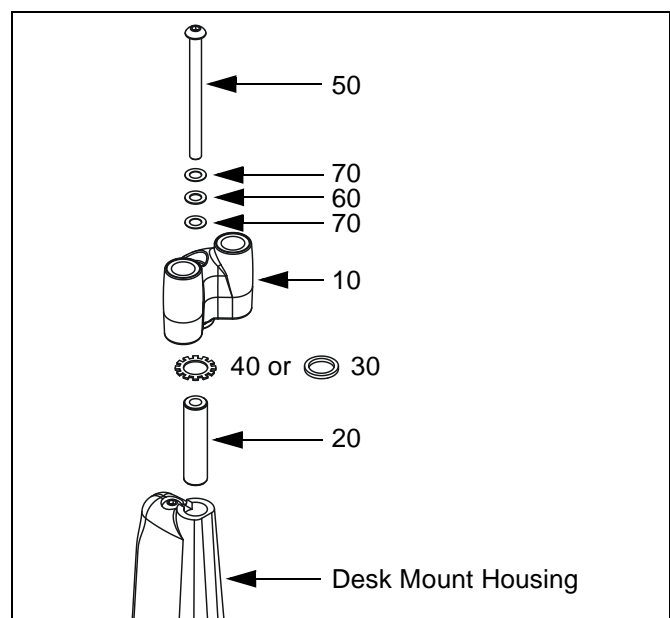


Figure 4: Assemble Y-Connector to Desk Mount

- Install washer (40) or spacer (30), as desired, on pin (20) (See Figure 4).

NOTE: Washer (40) will lock Y-connector (10) to desk mount. Spacer (30) will allow limited movement of Y-connector (10) relative to desk mount, dependent upon tension of screw (50).

- Install Y-connector (10) on pin (20) (See Figure 4).
- Install screw (50) through washer (70), washer (60), and washer (70), into Y-connector (10) (See Figure 4).
- While holding Y-connector (10), desk mount housing, and screw (50) together, turn entire assembly upside down.
- Insert eraser end of pencil into plastic lock ring of nut (80). Using pencil, thread nut (80) onto end of screw (50) several turns (See Figure 5). If necessary, rotate clamp to permit access.

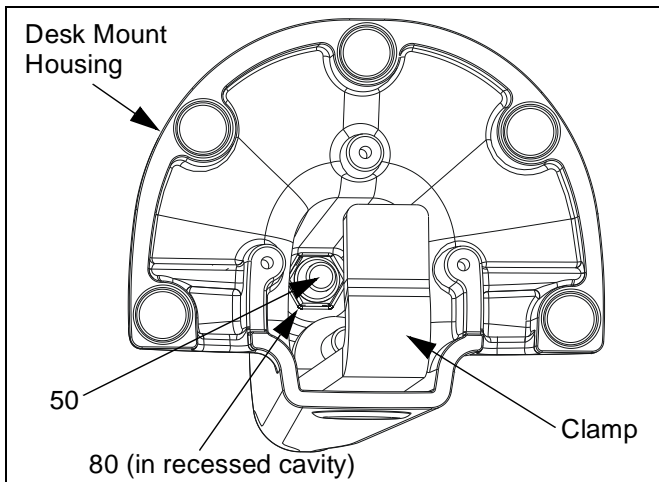


Figure 5: Install Nut

- Using 3/16" hex key, tighten screw (50) as required to maintain desired Y-connector (10) position. Ensure nut (80) fully seats into recessed cavity of desk mount housing (See Figure 5).
- Install retained desk mount base plate and attach screws. Ensure clamp faces center of desk mount as shown (See Figure 3).
- Install mount to desk per instructions included with desk mount.
- Proceed to "ASSEMBLE MOUNT ARMS TO Y-CONNECTOR."

Wall Mount

- If previously attached, disconnect cables from display, then remove display. See instructions included with wall mount and/or interface.
- If previously attached, loosen (do not remove) set

screw and remove wall mount housing from wall plate. Do NOT remove wall plate from wall. See instructions included with wall mount.

- Remove mount arm from wall mount (See Figure 6). Retain all hardware for later mount arm assembly.

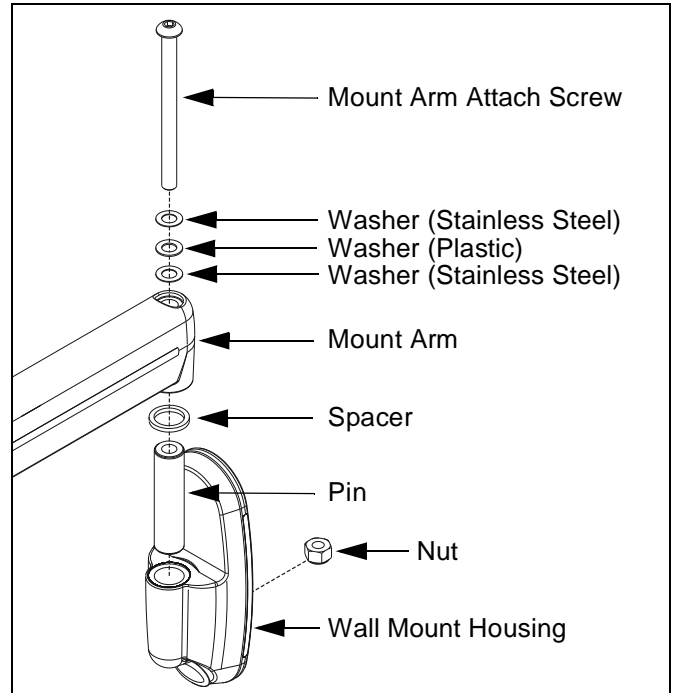


Figure 6: Disassemble Wall Mount

- Install pin (20) into wall mount (See Figure 7).

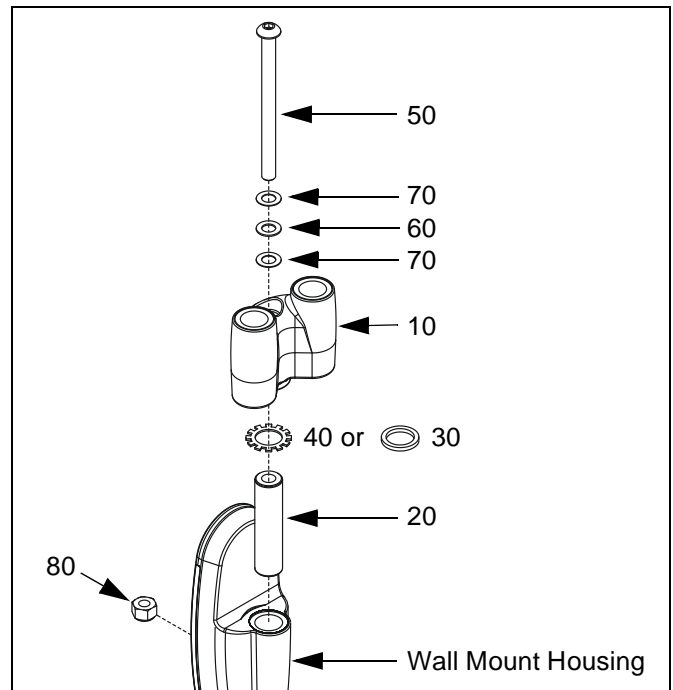


Figure 7: Assemble Y-Connector to Wall Mount

5. Install washer (40) or spacer (30), as desired, on pin (20) (See Figure 7).

NOTE: Washer (40) will lock Y-connector (10) to wall mount. Spacer (30) will allow limited movement of Y-connector (10) relative to wall mount, dependent upon tension of screw (50).

6. Install Y-connector (10) on pin (20) (See Figure 7).
7. Insert nut (80) into recessed cavity of wall mount housing as shown (See Figure 8).

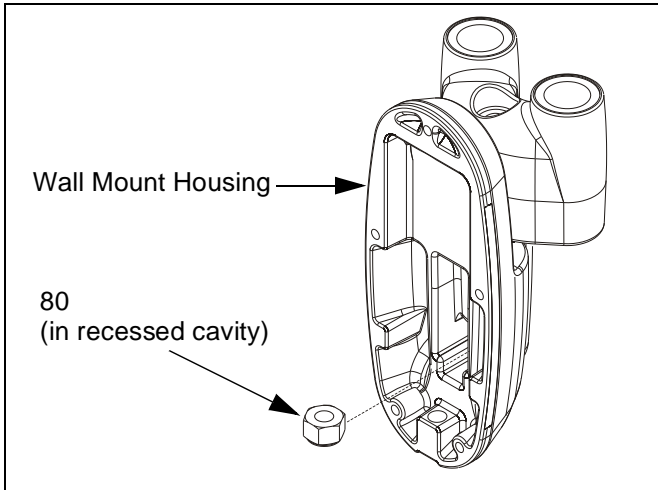


Figure 8: Install Nut

8. Install screw (50) through washer (70), washer (60), washer (70), and Y-connector (10), into nut (80) (See Figure 7).
9. Using 3/16" hex key tighten screw (50) as required to maintain desired Y-connector (10) position.
10. Install wall mount housing to wall plate per instructions included with wall mount.
11. Proceed to "ASSEMBLE MOUNT ARMS TO Y-CONNECTOR."

ASSEMBLE MOUNT ARMS TO Y-CONNECTOR

1. Insert retained pin into Y-connector (10) upper bore (See Figure 9).

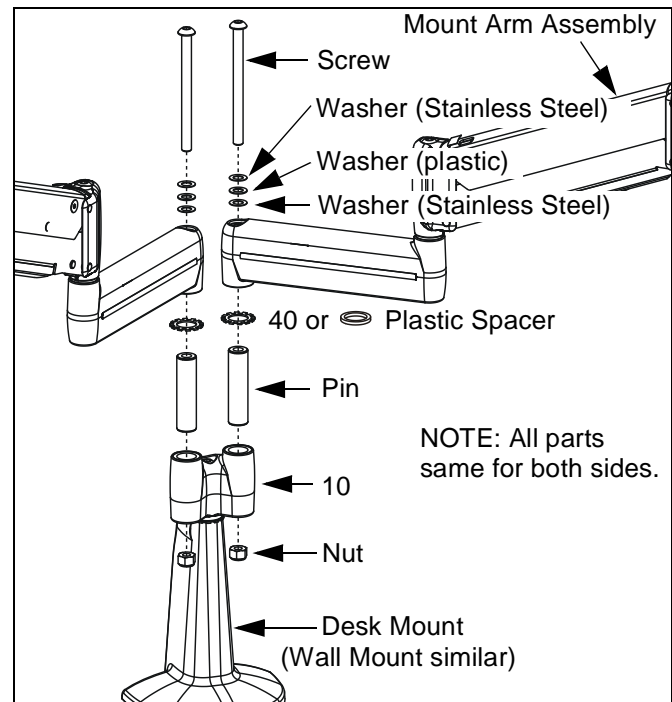


Figure 9: Multi-Dual Arm Assembly

2. Install washer (40) or retained plastic spacer, as desired, on pin (See Figure 9).

NOTE: Washer (40) will lock arm to Y-connector. Spacer will allow limited movement of arm relative to Y-connector (10), dependent upon tension of screw.

3. Insert mount arm assembly on pin (See Figure 9).
4. While holding retained nut in lower bore of Y-connector (10), insert retained screw through retained washers (stainless steel washer, plastic washer, and stainless steel washer), mount arm assembly, and Y-connector (10), into retained nut (See Figure 9).



CAUTION: Improper positioning of desk mount arm may result in failure of mount and subsequent damage to displays. Do NOT position either arm in gray shaded area.

5. Position desk mount arm within UNSHADED area as shown (See Figure 10). Tighten screw as required using 3/16" hex key.

NOTE: This step not applicable to wall mount arms.

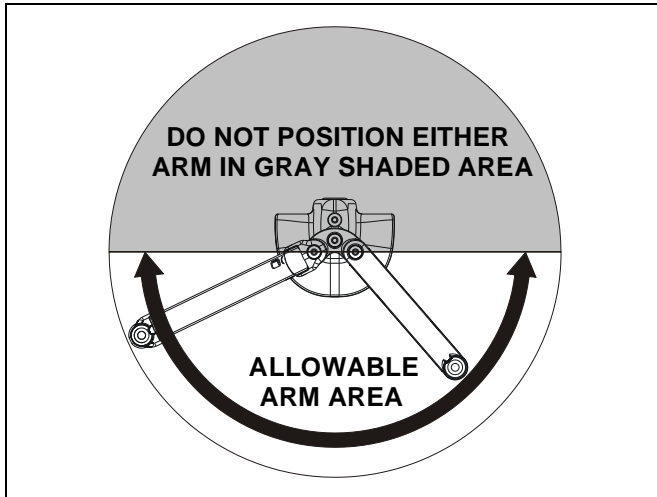


Figure 10: Allowable Arm Area

6. Repeat Steps 1. through 5. for second mount arm assembly (10).
7. Install displays to mount. See instructions included with mount and/or interface.
8. Install cables to display.
9. Assembly is complete. If desired, proceed to "MODIFICATION OF MOUNT ARMS."

MODIFICATION OF MOUNT ARMS

If desired, each mount arm assembly may be modified to prevent movement of one arm relative to the other arm (without loosening screw).

NOTE: Spacer will allow limited movement of one arm relative to the other arm, dependent upon tension of screw. Washer (40) will lock arms together.

1. If previously attached, disconnect cables from display, then remove display. See instructions included with mount and/or interface.
2. Using 3/16" hex key, loosen screw until nut can be removed (See Figure 11). Retain nut. Screw and washers may remain in outer mount arm assembly.

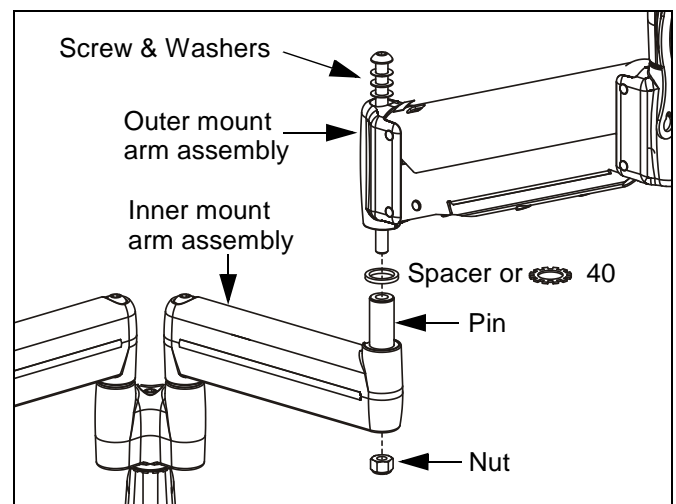


Figure 11: Multi-Dual Arm Modification

3. Lift outer mount arm assembly from pin (with screw and washers) and place on protective surface.
4. Remove spacer from pin (See Figure 11).
5. Install washer (40) on pin (See Figure 11).
6. Re-install outer mount arm assembly (with screw and washers) on pin (See Figure 11).
7. Insert and hold nut in lower bore of inner mount arm assembly (See Figure 11).
8. Tighten screw as required using 3/16" hex key (See Figure 11).
9. Install display(s) to mount. See instructions included with mount and/or interface.
10. Install cables to display.
11. Modification is complete.

