



INSTALLATION INSTRUCTIONS

FSA-1008 and KSA-1012 EXTENDED REACH DESK CLAMP BRACKET ACCESSORY

Prior to assembly, unpack carton completely and verify contents.
If you are missing any of the following components, please contact Customer Service at 1-800/582-6480.



Figure 1

(1) Extended Reach Desk Clamp Bracket

BEFORE PROCEEDING, READ INSTALLATION INSTRUCTIONS COMPLETELY

CAUTION!

FLAT PANEL DISPLAYS ARE EXTREMELY FRAGILE.

1. Using 3/16" and 3/32" hex keys (From Desk Clamp Kit), remove the components (see Figure 2).
2. Attach Extended Reach Desk Clamp Bracket (see Figure 3).
3. Reassemble base (see figure 4).

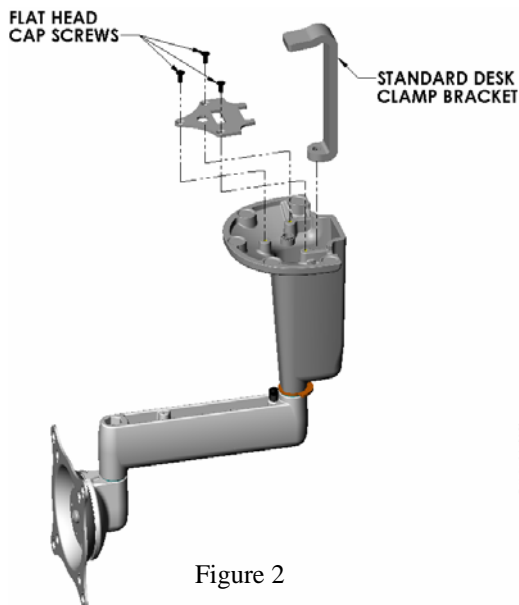


Figure 2

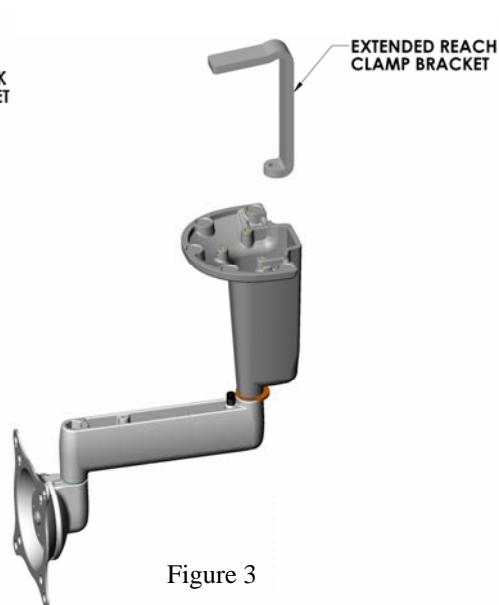


Figure 3

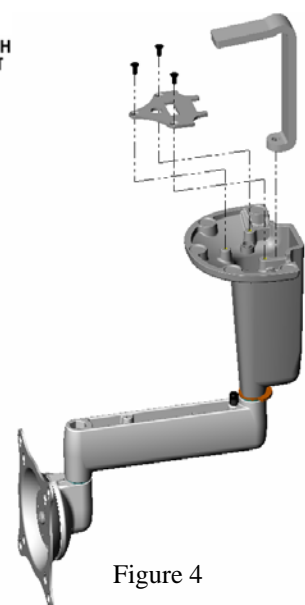


Figure 4