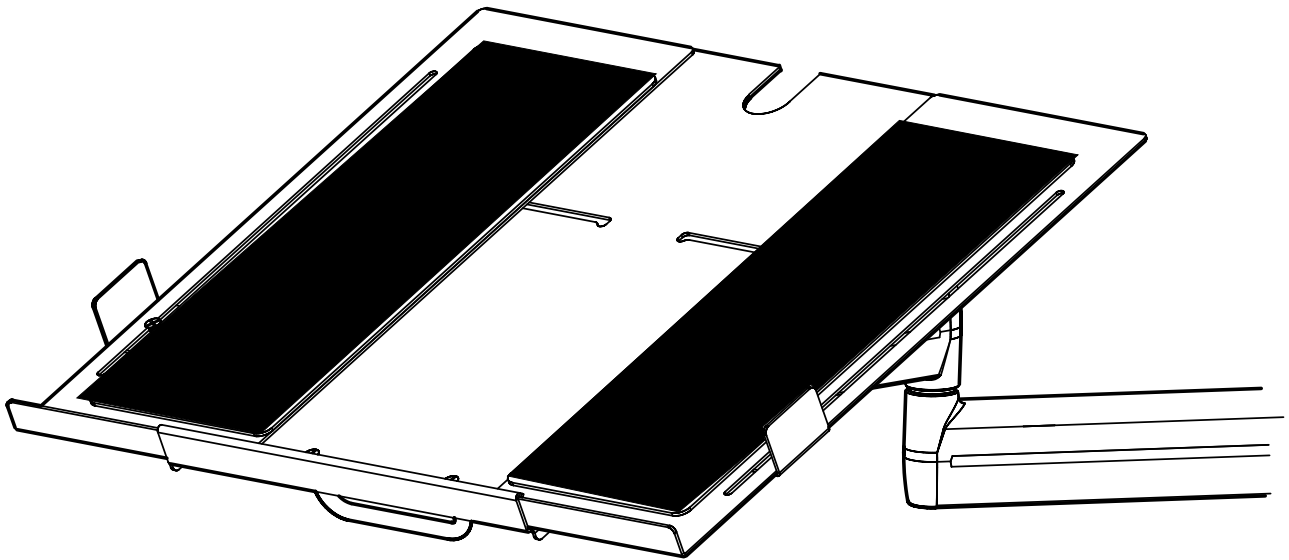

INSTALLATION INSTRUCTIONS



Laptop Tray Accessory

DISCLAIMER

CSAV, Inc., and its affiliated corporations and subsidiaries (collectively, "CSAV"), intend to make this manual accurate and complete. However, CSAV makes no claim that the information contained herein covers all details, conditions or variations, nor does it provide for every possible contingency in connection with the installation or use of this product. The information contained in this document is subject to change without notice or obligation of any kind. CSAV makes no representation of warranty, expressed or implied, regarding the information contained herein. CSAV assumes no responsibility for accuracy, completeness or sufficiency of the information contained in this document.

! IMPORTANT WARNINGS AND CAUTIONS!

! WARNING: A WARNING alerts you to the possibility of serious injury or death if you do not follow the instructions.

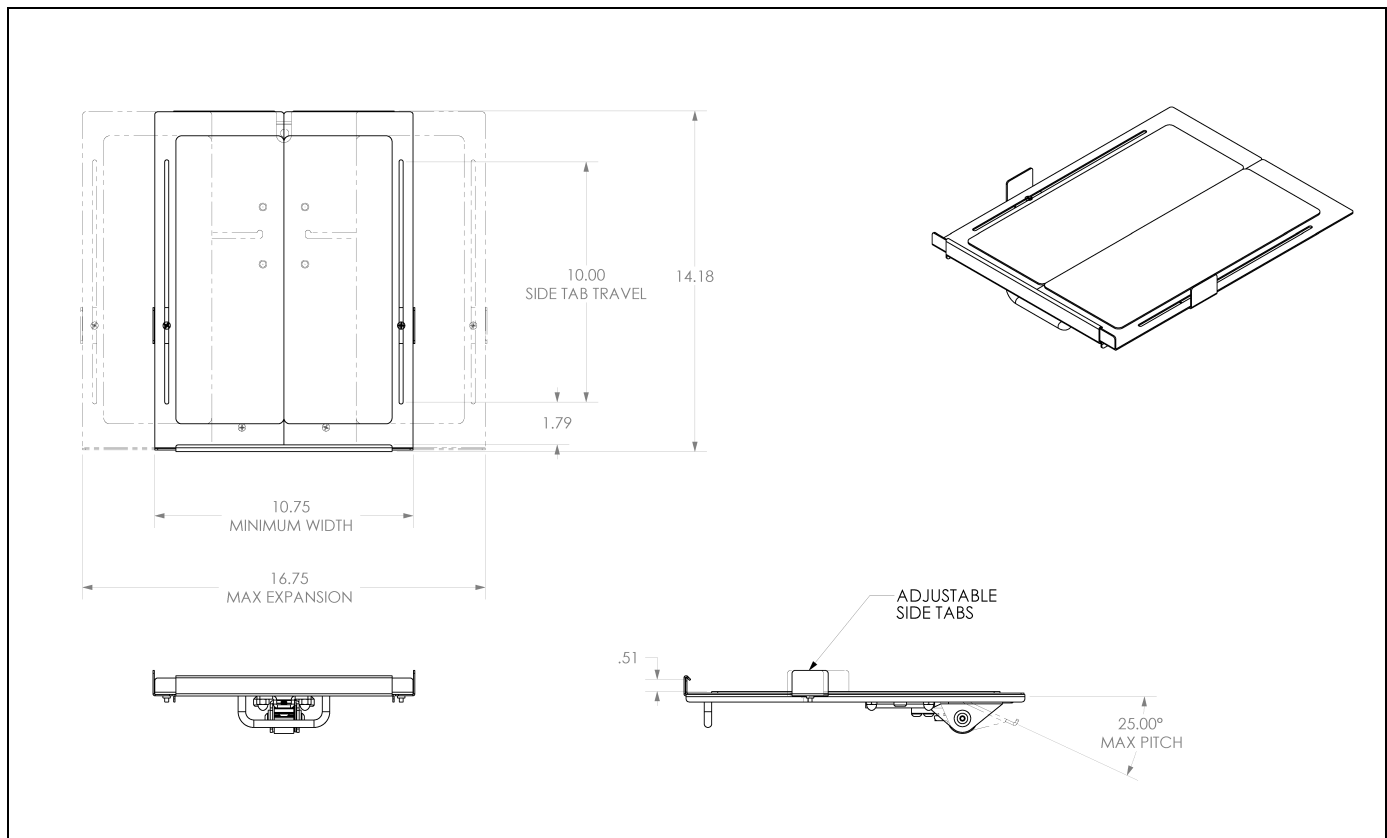
! CAUTION: A CAUTION alerts you to the possibility of damage or destruction of equipment if you do not follow the corresponding instructions.

! WARNING: Failure to read, thoroughly understand, and follow all instructions can result in serious personal injury,

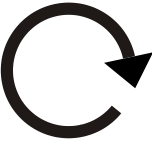
damage to equipment, or voiding of factory warranty! It is the installer's responsibility to make sure all components are properly assembled and installed using the instructions provided.

! WARNING: Failure to provide adequate structural strength for this component can result in serious personal injury or damage to equipment! It is the installer's responsibility to make sure the structure to which this component is attached can support five times the combined weight of all equipment. Reinforce the structure as required before installing the component.

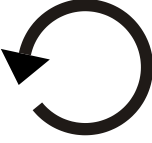
! WARNING: Exceeding the weight capacity of the mount can result in serious personal injury or damage to equipment! It is the installer's responsibility to make sure the combined weight of the mount and all attached components does not exceed 18lbs (8.16kg).



LEGEND

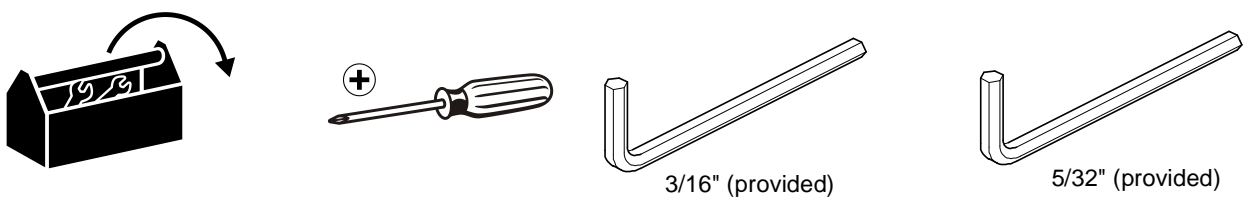
	Tighten Fastener
	Apretar elemento de fijación
	Befestigungsteil festziehen
	Apertar fixador
	Serrare il fissaggio
	Bevestiging vastdraaien
	Serrez les fixations
Сожмите Застежку	

	Phillips Screwdriver
	Destornillador Phillips
	Kreuzschlitzschraubendreher
	Chave de fendas Phillips
	Cacciavite a stella
	Kruiskopschroevendraaier
	Tournevis à pointe cruciforme
Отвертка	

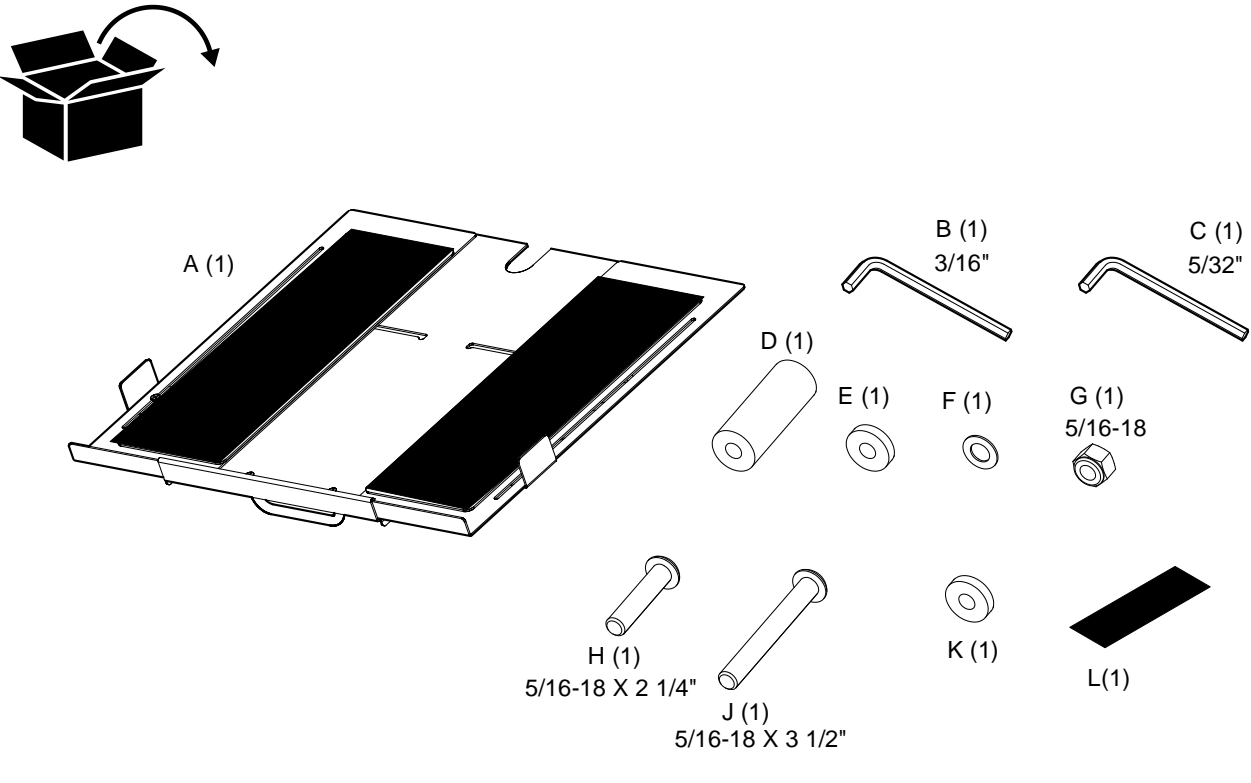
	Loosen Fastener
	Aflojar elemento de fijación
	Befestigungsteil lösen
	Desapertar fixador
	Allentare il fissaggio
	Bevestiging losdraaien
	Desserrez les fixations
Ослабьте Застежку	

	Hex-Head Wrench
	Llave de cabeza hexagonal
	Sechskantschlüssel
	Chave de cabeça sextavada
	Chiave esagonale
	Zeskantsleutel
	Clé à tête hexagonale
Ключ с шестигранной головкой	

TOOLS REQUIRED FOR INSTALLATION AND PARTS



3/16" (provided) 5/32" (provided)



A (1) B (1) 3/16" C (1) 5/32"

D (1) E (1) F (1) G (1) 5/16-18

H (1) 5/16-18 X 2 1/4" J (1) 5/16-18 X 3 1/2" K (1) L (1)

INSTALLATION

Existing Mount Preparation

If the KSA-1013 is being installed on an existing Chief swingarm style mount the existing mount needs to be modified before installation of the KSA-1013. If there is no existing mount proceed to "Tray Installation" section below

To prepare the existing mount:

1. Disconnect all cables and wiring from display.
1. Remove display, if present, from existing mount following the instructions supplied with mount.
2. Loosen button head cap screw securing display end of mount to mount arm using a 5/32" hex key.
3. Uninstall button head cap screw, one nylon washer, and two flat washers from swing arm and set aside for reuse. (See Figure 2)
4. Remove large nylon washer, pivot pin, and Nylock nut from existing mount base and set aside for reuse. (See Figure 2)

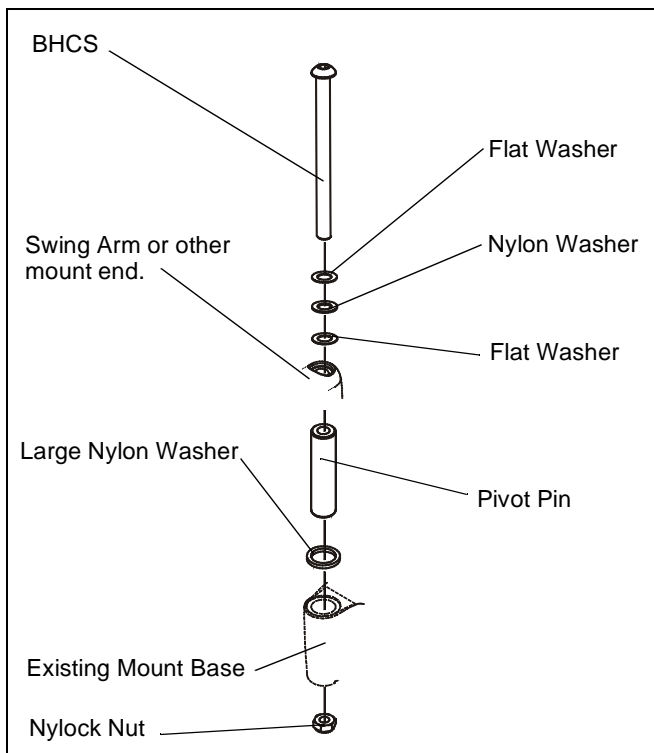


Figure 1

Tray Installation

To install the KSA-1013:

1. Place pivot pin (D) into mount end. (See Figure 2)
2. Place nylon spacer (E) on top of mount end.
3. Assemble UHMW washer (F) to BHCS (H or J).
4. Install threaded end of BHCS (H or J) through access hole in tray top and down through mounting tab of tray assembly (A), down through spacer (E), pivot pin (D) and through mount end.
5. Slide Nylock nut (G) up into bottom of mount end.
6. Hold Nylock nut (G) in bottom of mount and tighten BHCS (H or J) to desired tension. (See Figure 2)

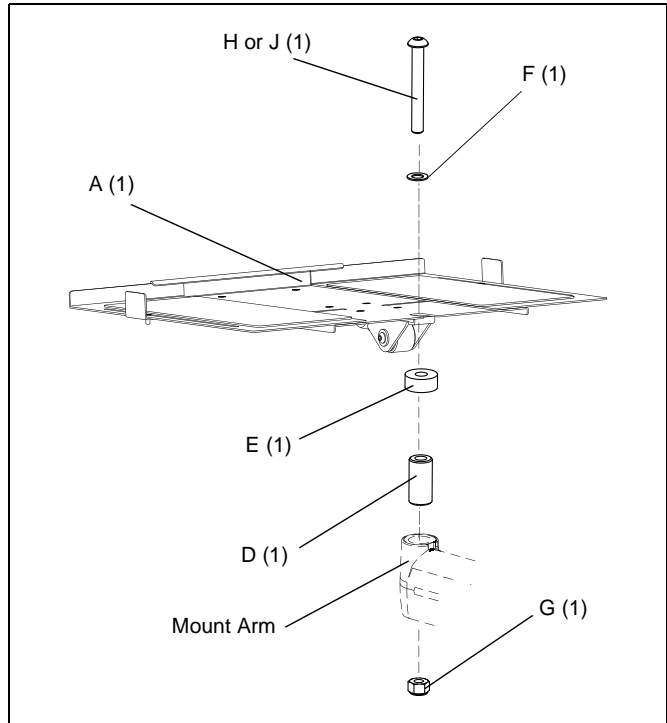


Figure 2

Laptop Installation

To install a laptop computer onto the KSA-1013:

1. Loosen the two locking thumbscrews on tray bottom.
2. Pull Slide trays outward to fully open position. (See Figure 3)

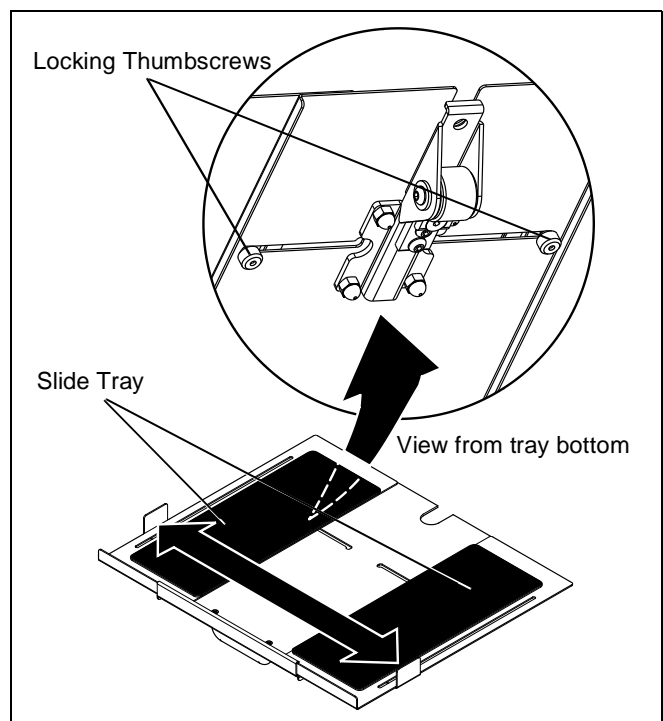


Figure 3

3. Position Laptop so that it is centered and resting against the front edge of tray. (See Figure 5)

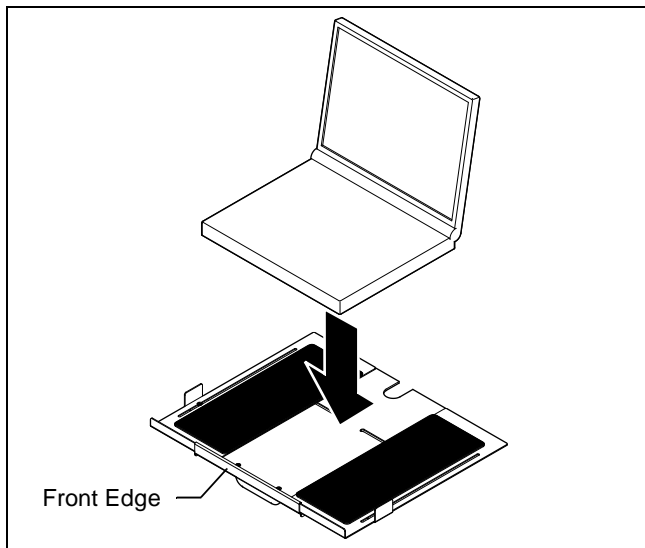


Figure 4

4. Push slide trays inward until slide tabs rest against side of laptop. (See Figure 5)
5. Tighten two locking thumbscrews on tray bottom.

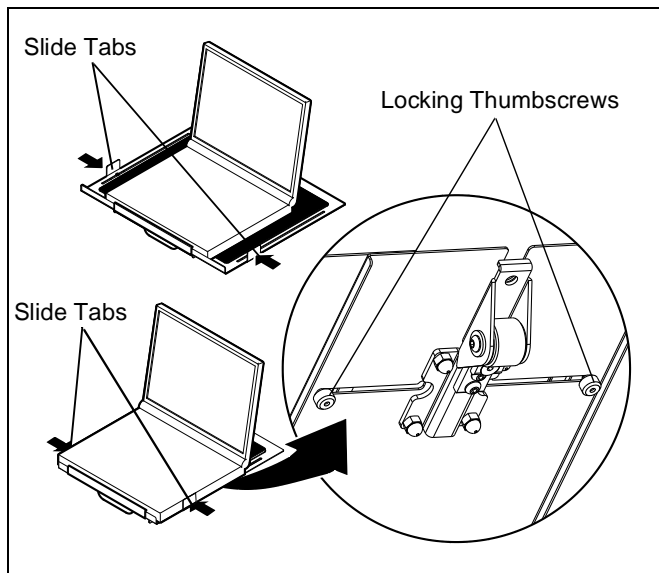


Figure 5

6. Loosen two slide tab retaining screws. (See Figure 6)
7. Position slide tabs so they are not blocking any ports on laptop. (See Figure 6)
8. Tighten two slide tabs. (See Figure 6)

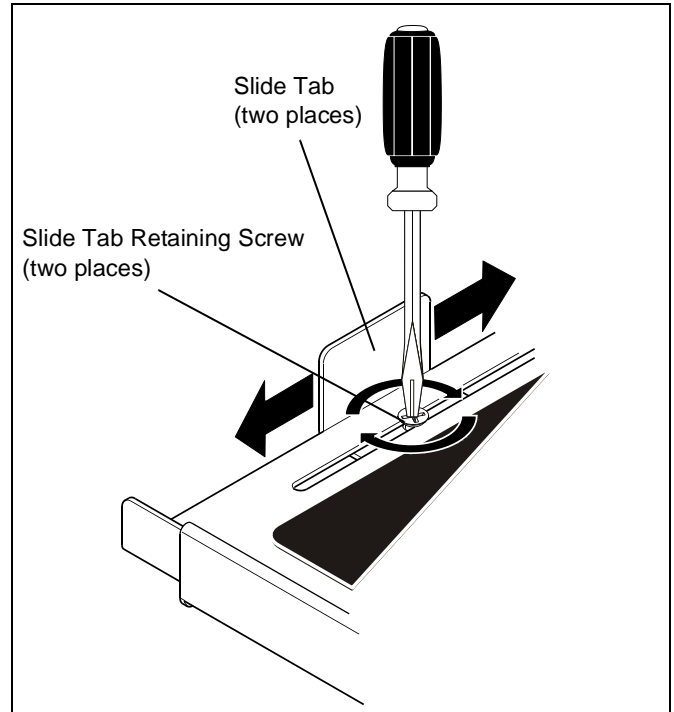


Figure 6

ADJUSTMENTS

Tray Pitch Adjustment

To adjust the tray vertical position:

1. Loosen tray pitch adjustment screw by turning screw counter-clockwise using 3/16" hex wrench.
2. Reposition tray.
3. Tighten tray pitch adjustment screw by turning clockwise using 3/16" hex wrench.

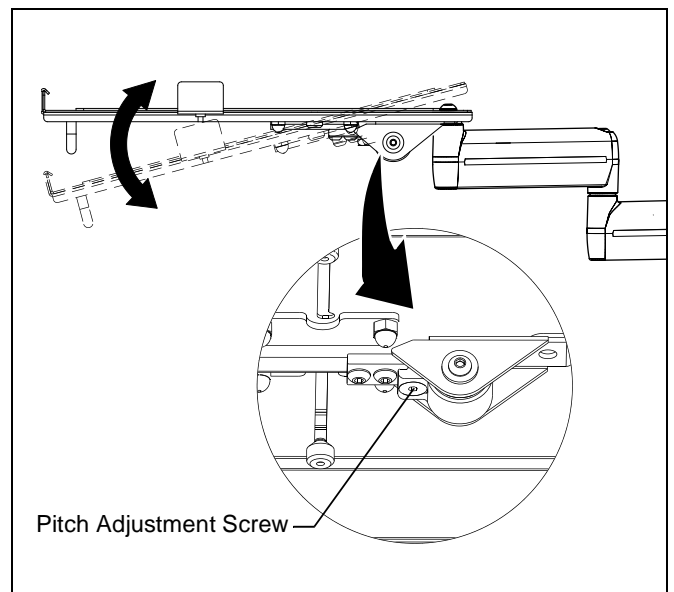


Figure 7

Rubber Pad Installation

To install protective rubber pad:

1. Position tray and arm as shown in the figure below.
2. Remove paper from back of rubber pad (L) to expose adhesive surface.
3. Position rubber pad (L) on mount arm as shown in figure below.
4. Secure rubber pad (L) to mount arm by pressing adhesive side of pad onto arm.

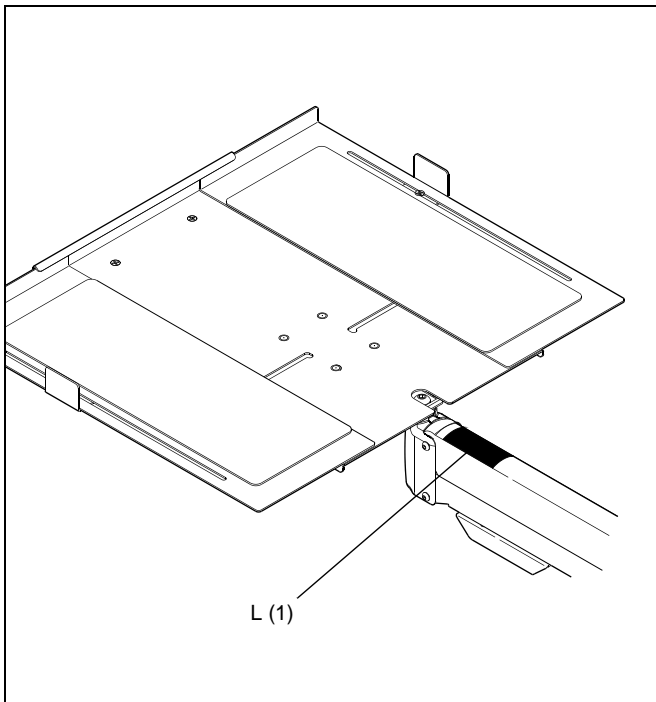


Figure 8



8807-000036
©2007 Chief Manufacturing
www.chiefmfg.com
02/07

USA/International	A 8401 Eagle Creek Parkway, Savage, MN 55378 P 800.582.6480 / 952.894.6280 F 877.894.6918 / 952.894.6918
Europe	A Fellenoord 130 5611 ZB EINDHOVEN, The Netherlands P +31 40 2668620 F +31 (0) 40 2668615
Asia Pacific	A Room 30I, Block D, Lily YinDu International Building LuoGang, BuJi Town, Shenzhen, CHINA. Post Code: 518112 深圳市布吉罗岗百合银都国际大厦D栋30I P +86-755-8996 9226 ; 8996 9236 ; 8996 9220 F +86-755-8996 9217