

INSTALLATION INSTRUCTIONS

KSA1025 Hardware

Unpack hardware and verify contents. If any listed parts are missing, immediately contact a Chief Customer Service representative.

PARTS

(1) 5/16-18 x 4" button head cap screw	(1) Washer, large nylon
(1) 5/16-18" lock nut	(1) Washer, nylon
(1) Pivot pin	(1) 3/16" hex key
(2) flat washer	

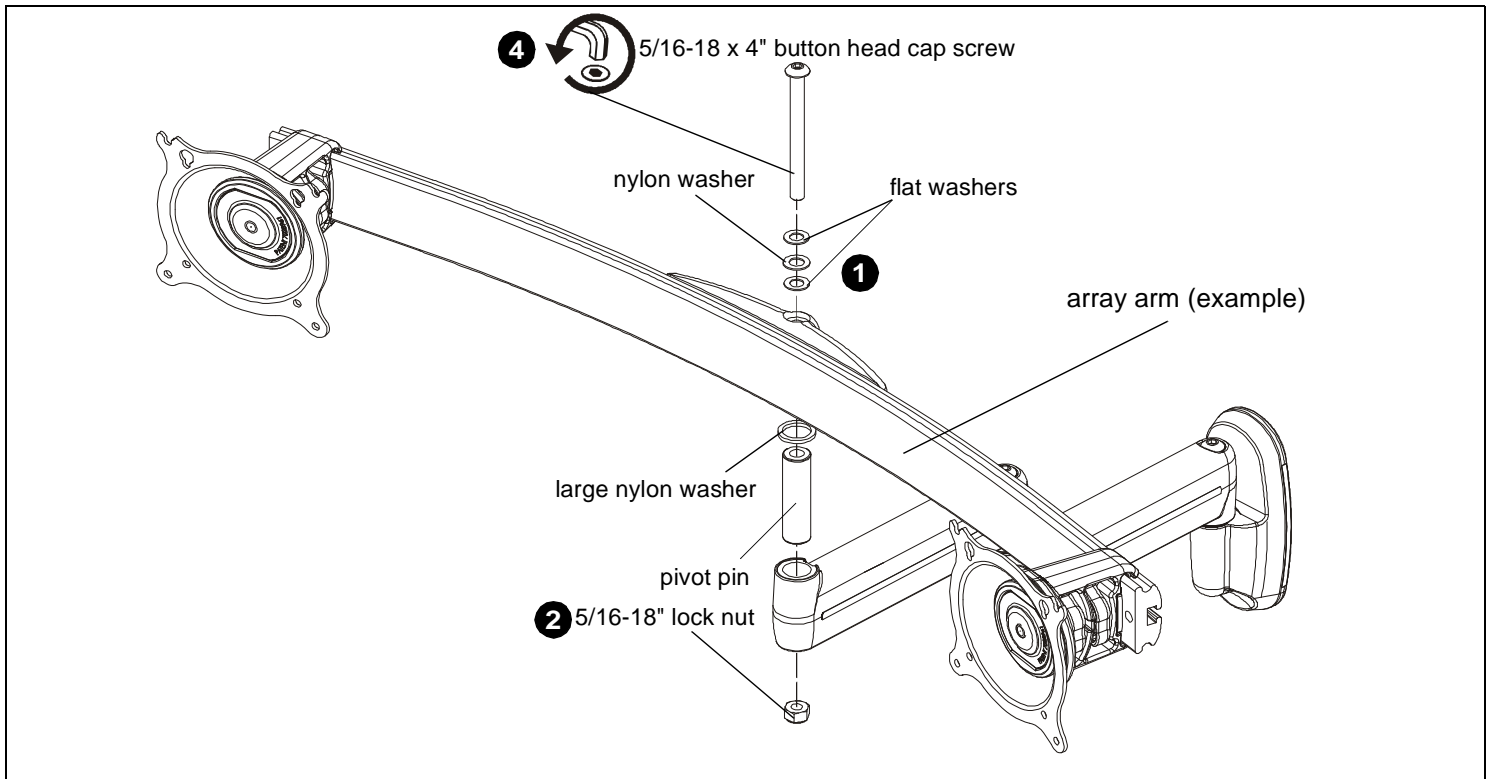


Figure 1

INSTALLATION

1. Assemble one flat washer, one nylon washer, and a second flat washer onto button head cap screw. (See Figure 1)
2. Insert Nylock retaining nut into swing arm bottom. (See Figure 1)

NOTE: Crown of Nylock nut should be facing down when being positioned for placement into bottom of swing arm.

3. Insert button head cap screw with washers through array rail or centris head, and down through large nylon washer and pivot pin. (See Figure 1)
4. Thread button head cap screw into Nylock retaining nut.



CAUTION: Overtightening cap screw will cause excessive wear and may distort some parts.

Milestone AV Technologies, Inc., and its affiliated corporations and subsidiaries (collectively, "Milestone"), intend to make this manual accurate and complete. However, Milestone makes no claim that the information contained herein covers all details, conditions or variations, nor does it provide for every possible contingency in connection with the installation or use of this product. The information contained in this document is subject to change without notice or obligation of any kind. Milestone makes no representation of warranty, expressed or implied, regarding the information contained herein. Milestone assumes no responsibility for accuracy, completeness or sufficiency of the information contained in this document.