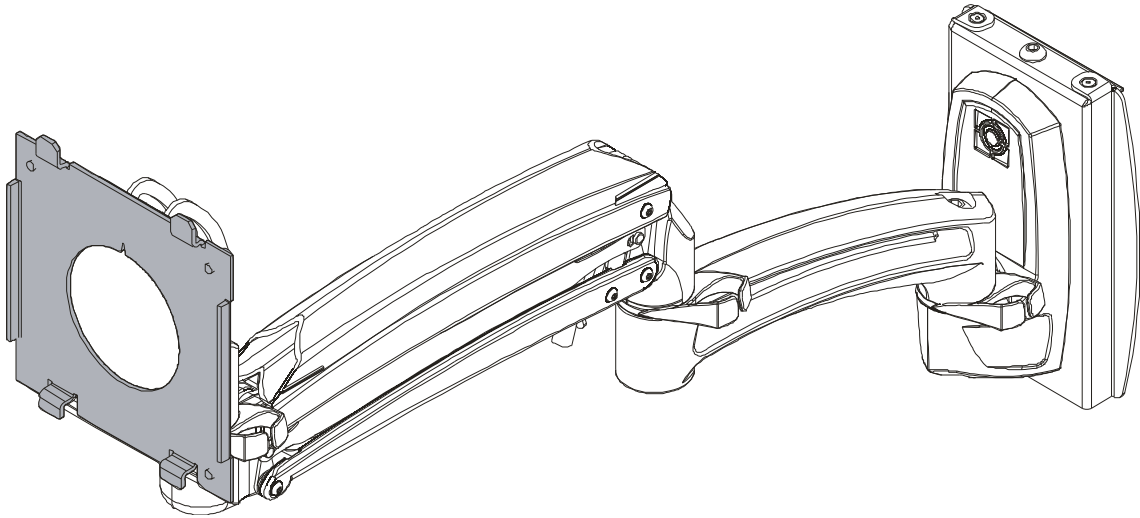


---

# INSTALLATION INSTRUCTIONS

---















---

## Custom Quick-Connect Brackets

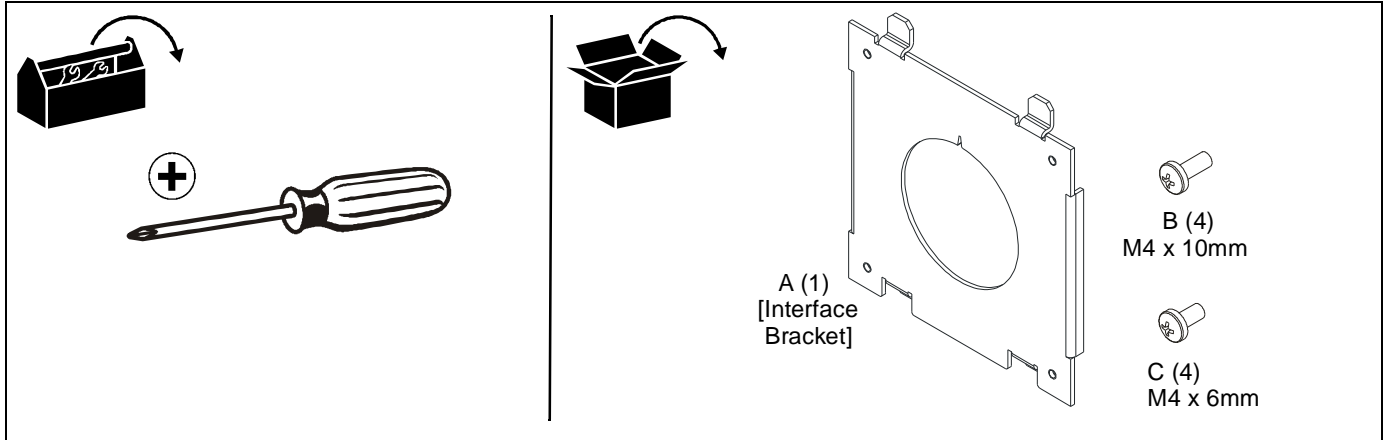
---



## LEGEND

	<b>Tighten Fastener</b> Apretar elemento de fijación Befestigungsteil festziehen Apertar fixador Serrare il fissaggio Bevestiging vastdraaien Serrez les fixations		<b>Pencil Mark</b> Marcar con lápiz Stiftmarkierung Marcar com lápis Segno a matita Potloodmerkteken Marquage au crayon
	<b>Loosen Fastener</b> Aflojar elemento de fijación Befestigungsteil lösen Desapertar fixador Allentare il fissaggio Bevestiging losdraaien Desserrez les fixations		<b>Drill Hole</b> Perforar Bohrloch Fazer furo Praticare un foro Gat boren Percez un trou
	<b>Phillips Screwdriver</b> Destornillador Phillips Kreuzschlitzschraubendreher Chave de fendas Phillips Cacciavite a stella Kruiskopschroevendraaier Tournevis à pointe cruciforme		<b>Adjust</b> Ajustar Einstellen Ajustar Regolare Afstellen Ajuster
	<b>Open-Ended Wrench</b> Llave de boca Gabelschlüssel Chave de bocas Chiave a punte aperte Steeksleutel Clé à fourche		<b>Remove</b> Quitar Entfernen Remover Rimuovere Verwijderen Retirez
	<b>By Hand</b> A mano Von Hand Com a mão A mano Met de hand À la main		<b>Optional</b> Opcional Optional Opcional Opzionale Optie En option
	<b>Hex-Head Wrench</b> Llave de cabeza hexagonal Sechskantschlüssel Chave de cabeça sextavada Chiave esagonale Zeskantsleutel Clé à tête hexagonale		<b>Security Wrench</b> Llave de seguridad Sicherheitsschlüssel Chave de segurança Chiave di sicurezza Veiligheidsleutel Clé de sécurité

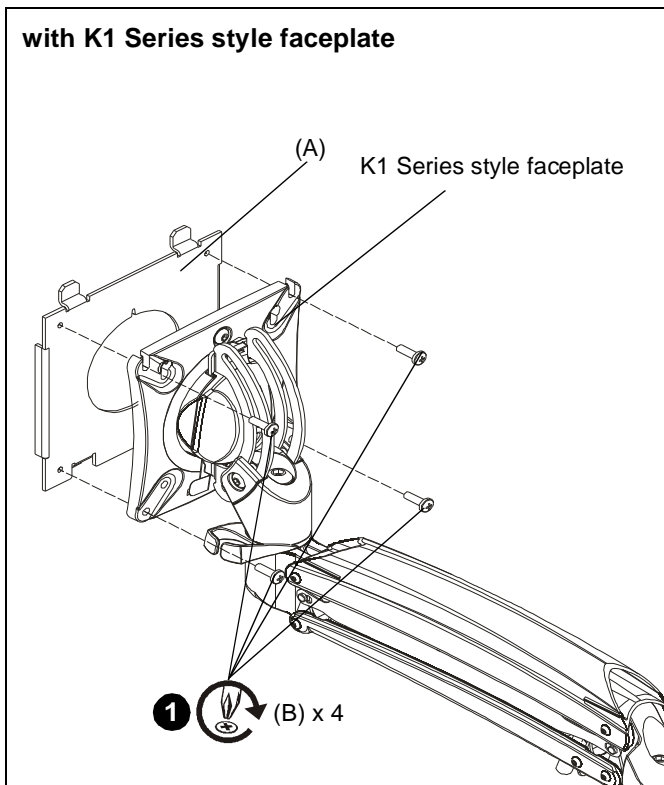
**TOOLS/PARTS FOR INSTALLATION**



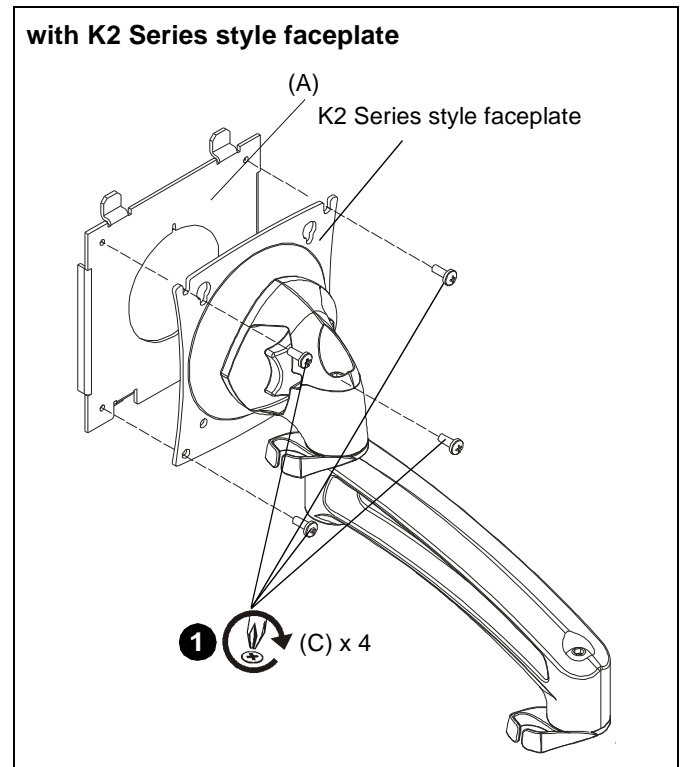
**Assembly And Installation**

1. Use four M4x10mm Phillips pan machine screws (B) or M4 x 6mm Phillips pan machine screws (C) to secure KSA1250 interface bracket (A) to K1 Series faceplate. (See Figure 1) or (See Figure 2)

**NOTE:** Use M4x10mm screws (B) if installing to K1 Series style faceplate or use M4x6mm screws (C) if installing to K2 Series style faceplate. (See Figure 1) or (See Figure 2) for details.



**Figure 1**



**Figure 2**

2. Install Kontour Series mount to mounting surface following Kontour Series Installation Instructions.

### Display Installation

**IMPORTANT !** : KSA1250 interface brackets are designed specifically for Dell's quick-connect style monitors. Do not attempt to install any other type of monitors to these mounts!

1. Position monitor over mounting tabs on quick-connect bracket (A). (See Figure 3)
2. Lower monitor onto quick-connect bracket, inserting mounting tabs into top two top mounting holes on back of monitor. (See Figure 3)

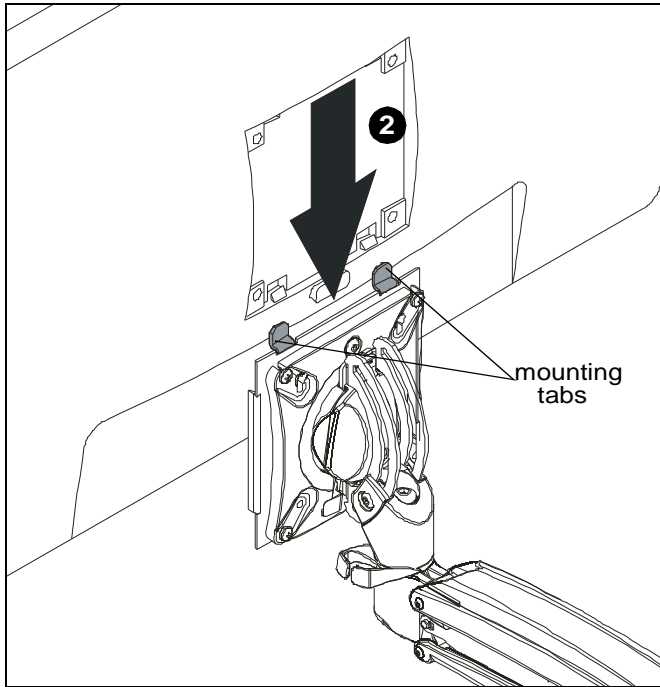


Figure 3

3. Slide base of monitor towards mount until lower tabs secure display to mount. An audible "click" should be heard. (See Figure 4)

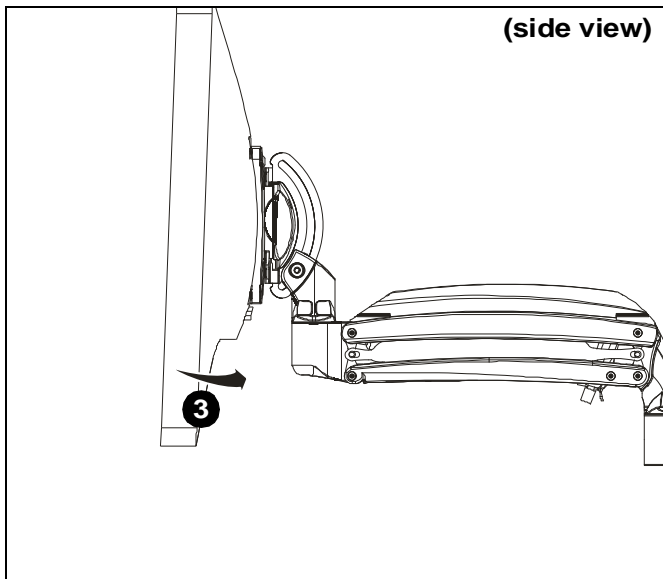


Figure 4

### Display Removal



**WARNING:** Only remove display from mount when the display can be lifted up from the mount! DO NOT remove display unless the display is in the upright position! (See Figure 5)

1. Press quick release tab on back of display to release display from faceplate. (See Figure 5)
2. Pull bottom of display away from faceplate. (See Figure 6)
3. Lift display up from faceplate. (See Figure 5) and (See Figure 6)

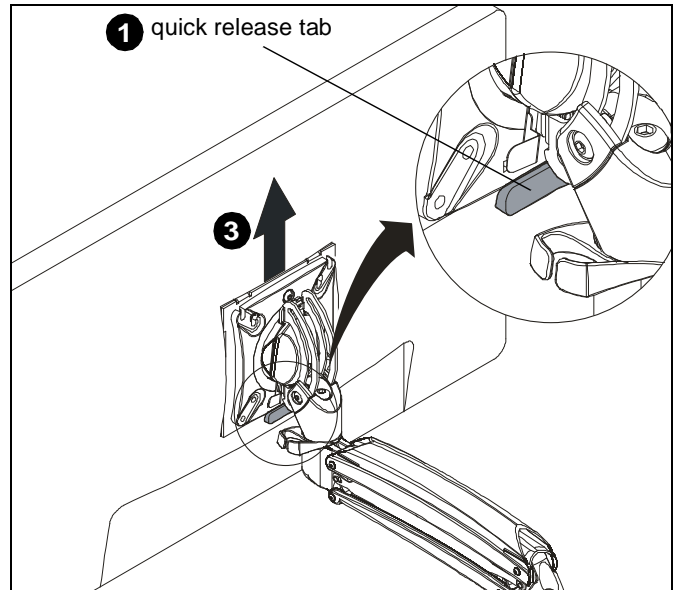


Figure 5

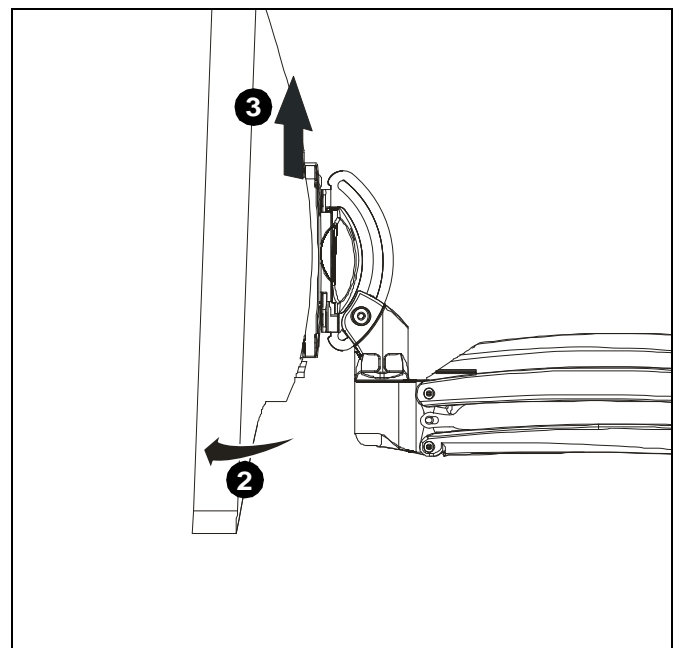


Figure 6







Our Mounts. **Your Vision.**

Chief, a products division of  
Milestone AV Technologies

8800-002439 Rev02  
©2014 Milestone AV Technologies  
[www.chiefmfg.com](http://www.chiefmfg.com)  
11/14

<b>USA/International</b>	<b>A</b> 6436 City West Parkway, Eden Prairie, MN 55344 <b>P</b> 800.582.6480 / 952.225.6000 <b>F</b> 877.894.6918 / 952.894.6918
<b>Europe</b>	<b>A</b> Franklinstraat 14, 6003 DK Weert, Netherlands <b>P</b> +31 (0) 495 580 852 <b>F</b> +31 (0) 495 580 845
<b>Asia Pacific</b>	<b>A</b> Office No. 918 on 9/F, Shatin Galleria 18-24 Shan Mei Street Fotan, Shatin, Hong Kong <b>P</b> 852 2145 4099 <b>F</b> 852 2145 4477

