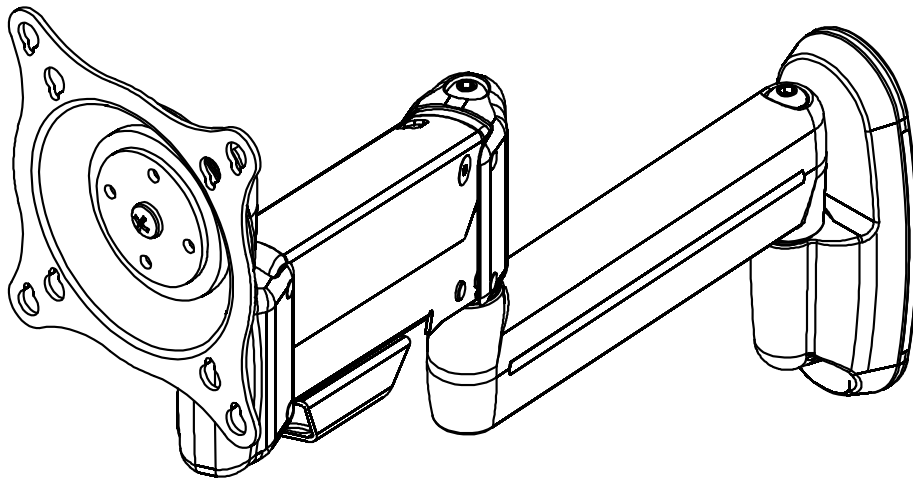

INSTALLATION INSTRUCTIONS



Universal Slat Wall Dual Arm Mounts

DISCLAIMER

Milestone AV Technologies and its affiliated corporations and subsidiaries (collectively "Milestone"), intend to make this manual accurate and complete. However, Milestone makes no claim that the information contained herein covers all details, conditions or variations, nor does it provide for every possible contingency in connection with the installation or use of this product. The information contained in this document is subject to change without notice or obligation of any kind. Milestone makes no representation of warranty, expressed or implied, regarding the information contained herein. Milestone assumes no responsibility for accuracy, completeness or sufficiency of the information contained in this document.

Chief® is a registered trademark of Milestone AV Technologies. All rights reserved.

! IMPORTANT WARNINGS AND CAUTIONS!

! WARNING: A WARNING alerts you to the possibility of serious injury or death if you do not follow the instructions.

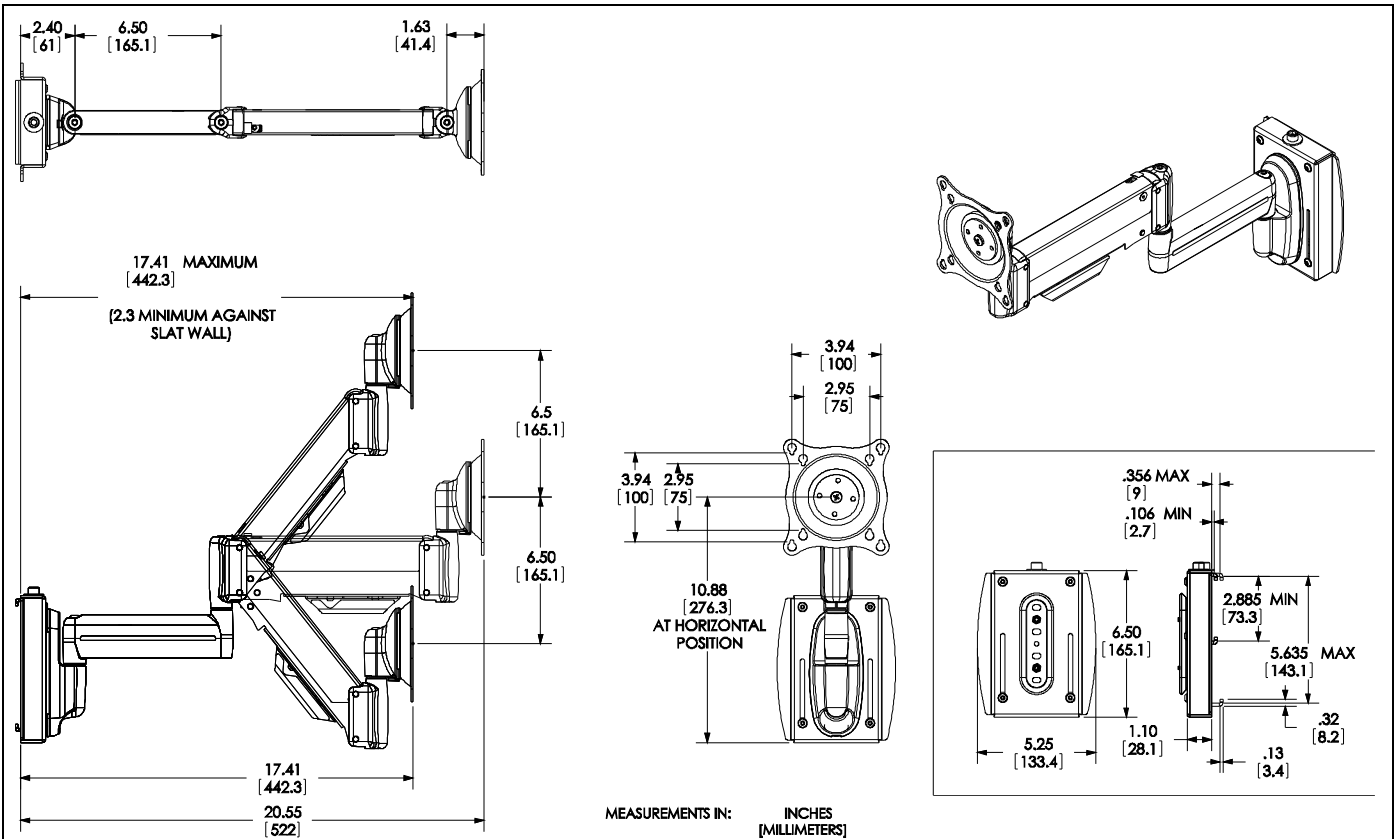
! CAUTION: A CAUTION alerts you to the possibility of damage or destruction of equipment if you do not follow the corresponding instructions.

! WARNING: Failure to read, thoroughly understand, and follow all instructions can result in serious personal injury, damage to equipment, or voiding of factory warranty! It is the installer's responsibility to make sure all components are properly assembled and installed using the instructions provided.

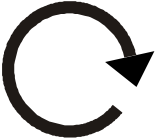
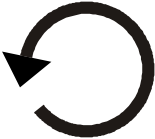

! WARNING: Failure to provide adequate structural strength for this component can result in serious personal injury or damage to equipment! It is the installer's responsibility to make sure the structure to which this component is attached can support five times the combined weight of all equipment. Reinforce the structure as required before installing the component.



! WARNING: Exceeding the weight capacity can result in serious personal injury or damage to equipment! It is the installer's responsibility to make sure the combined weight of all components located between the supporting structure and mount does not exceed the 40 lbs (18.14 kg).

DIMENSIONS

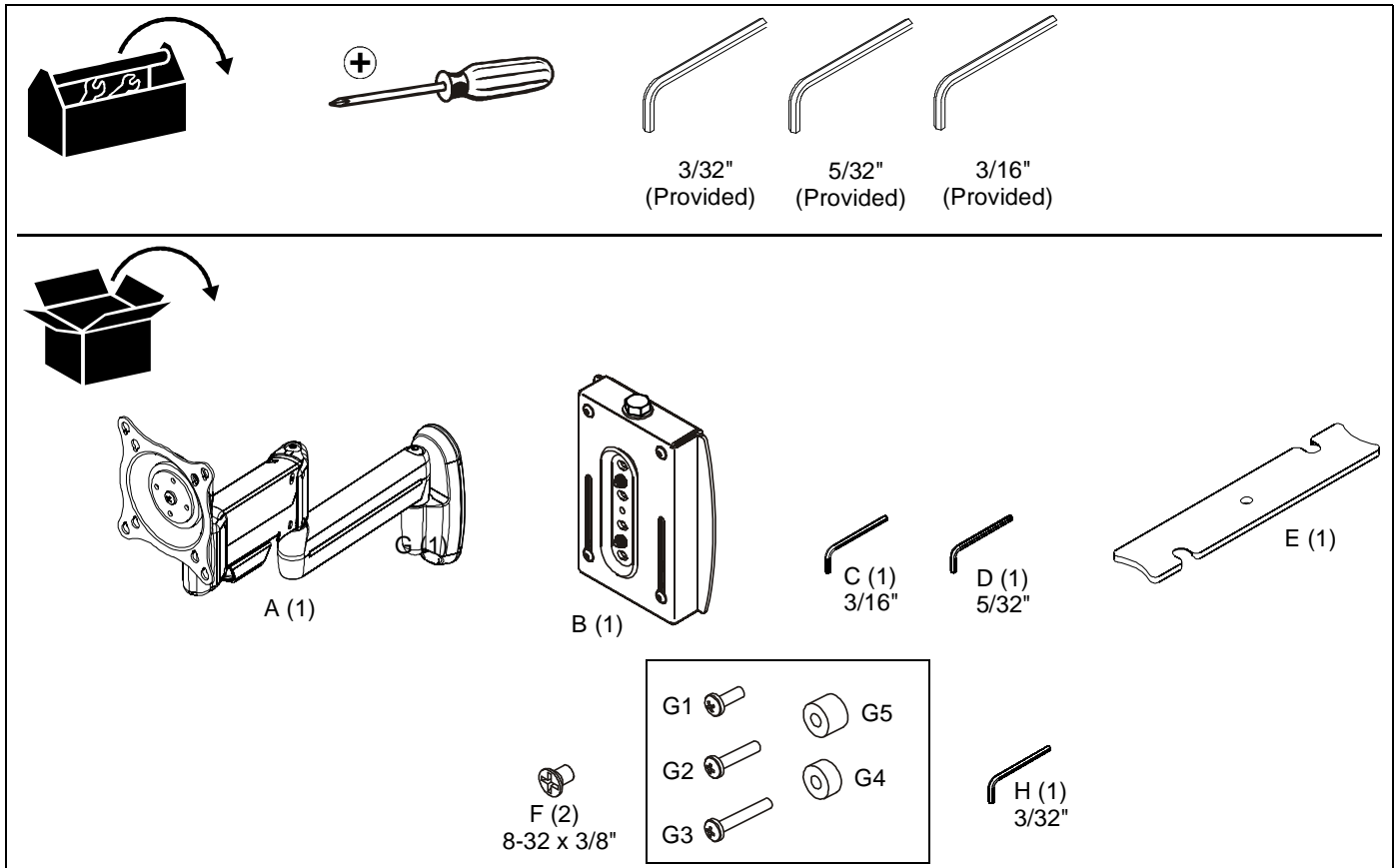


LEGEND

	Tighten Fastener
	Apretar elemento de fijación
	Befestigungsteil festziehen
	Apertar fixador
	Serrare il fissaggio
	Bevestiging vastdraaien
Serrez les fixations	
	Loosen Fastener
	Aflojar elemento de fijación
	Befestigungsteil lösen
	Desapertar fixador
	Allentare il fissaggio
	Bevestiging losdraaien
Desserrez les fixations	
	Adjust
	Ajustar
	Einstellen
	Ajustar
	Regolare
	Afstellen
Ajuster	

	Phillips Screwdriver
	Destornillador Phillips
	Kreuzschlitzschraubendreher
	Chave de fendas Phillips
	Cacciavite a stella
	Kruiskopschroevendraaier
Tournevis à pointe cruciforme	
	Hex-Head Wrench
	Llave de cabeza hexagonal
	Sechskantschlüssel
	Chave de cabeça sextavada
	Chiave esagonale
	Zeskantsleutel
Clé à tête hexagonale	

TOOLS AND PARTS FOR INSTALLATION



The diagram illustrates the tools and parts required for installation, organized into two main sections. The top section shows a box of screws, a Phillips screwdriver, and three L-shaped Allen keys labeled 3/32" (Provided), 5/32" (Provided), and 3/16" (Provided). The bottom section shows a box containing a large metal bracket labeled A (1), a rectangular metal plate labeled B (1), two small L-shaped Allen keys labeled C (1) 3/16" and D (1) 5/32", a long thin metal strip labeled E (1), and a collection of small hardware parts labeled F (2) 8-32 x 3/8", G1, G2, G3, G4, G5, and H (1) 3/32".

INSTALLATION



WARNING: FAILURE TO PROVIDE ADEQUATE STRUCTURAL STRENGTH FOR THIS COMPONENT CAN RESULT IN SERIOUS PERSONAL INJURY OR DAMAGE TO EQUIPMENT! It is the installer's responsibility to make sure the structure to which this component is attached can support five times the combined weight of all equipment. Reinforce the structure as required before installing the component.

1. Install the slat wall bracket (B) following the instructions included with kit.

IMPORTANT ! : If the display being installed has a recessed mounting surface, the display must be assembled to the mount prior to mount installation. See *Display Installation* in this document before proceeding.

2. Insert top of mount (A) over lip on top of wall bracket (B). (See Figure 1)

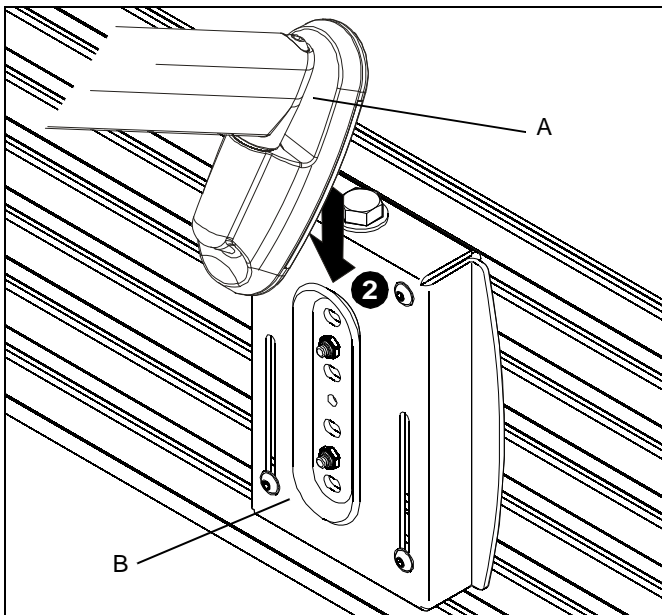


Figure 1

3. Swing mount (A) down flush against wall bracket (B). (See Figure 2)

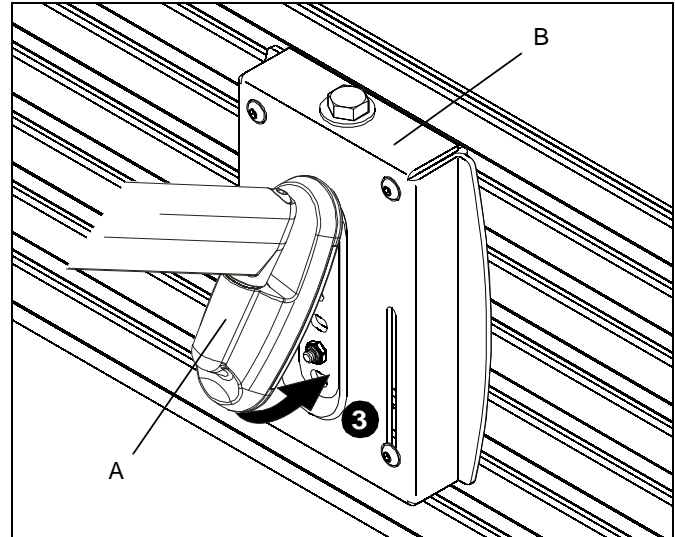


Figure 2

4. Tighten set screw using 5/32" hex key (D). (See Figure 3)



CAUTION: IMPROPER INSTALLATION CAN LEAD TO DISPLAY FALLING CAUSING SERIOUS PERSONAL INJURY OR DAMAGE TO EQUIPMENT! Make sure set screw engages back side of mounting dish on wall bracket (B). (See Figure 3)

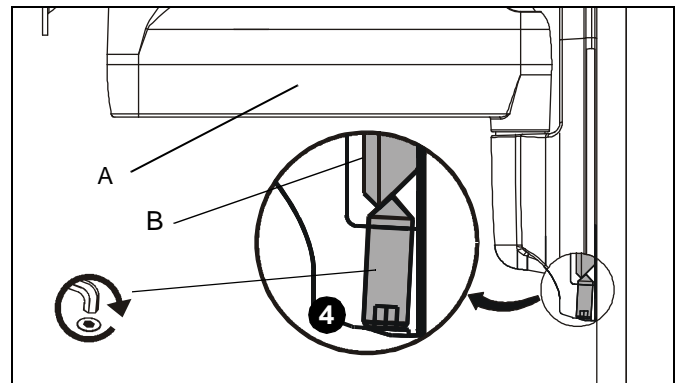


Figure 3

DISPLAY INSTALLATION

The mounting holes on the back of the display will be *flush with* the back surface, or *recessed into* the back. Refer to the applicable installation procedure below.

Swing Arm Flush Display Installation



CAUTION: IMPROPER INSTALLATION CAN LEAD TO DISPLAY FALLING CAUSING SERIOUS PERSONAL INJURY OR DAMAGE TO EQUIPMENT! Using screws of improper size may damage your display! Proper screws will easily and completely thread into display mounting holes.



CAUTION: IMPROPER INSTALLATION CAN LEAD TO DISPLAY FALLING CAUSING SERIOUS PERSONAL INJURY OR DAMAGE TO EQUIPMENT! Inadequate thread engagement in display may cause display to fall! Back out screws ONLY as necessary to allow installation of Centris bracket!

1. Ensure Centris cup is able to swivel and tilt easily, yet still be tight enough to hold display in desired position. Adjust as required before proceeding. See "ADJUSTMENT" for detail.
2. Using Phillips screwdriver, carefully install two screws (G1) into the *upper* mounting holes on the display. Thread screws completely into display, then back out 3 complete turns.
3. Align two screws (G1) (installed on the back of the display in the previous step) with the two top teardrop mounting holes on the Centris cup.



CAUTION: IMPROPER INSTALLATION CAN LEAD TO DISPLAY FALLING CAUSING SERIOUS PERSONAL INJURY OR DAMAGE TO EQUIPMENT! Smaller area of teardrop mounting holes must be facing downward for proper installation. Reposition Centris cup if required.

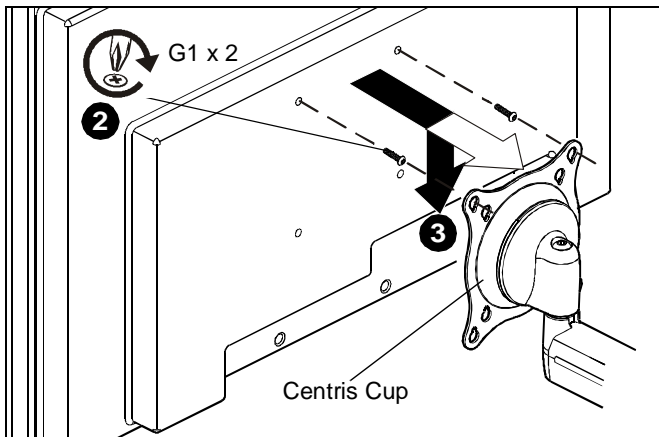


Figure 4

4. Using Phillips screwdriver, install two screws (G1) through the *lower* mounting holes in Centris cup into the display.
5. Tighten all screws (G1). Do not overtighten!

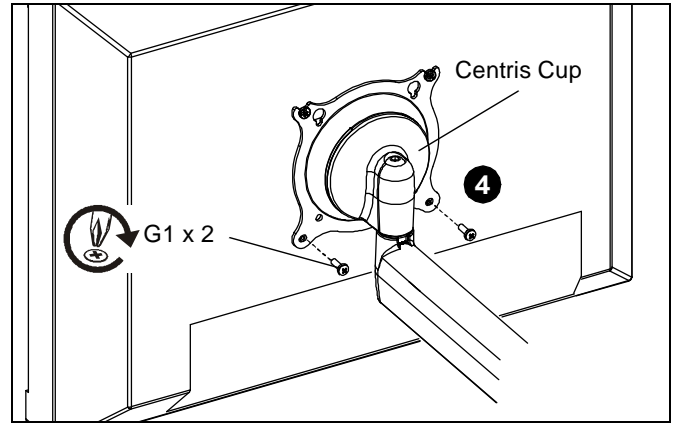


Figure 5

6. Proceed to "CABLE MANAGEMENT."

Swing Arm Recessed Display Installation

1. Ensure Centris bracket is able to swivel and tilt easily, yet still be tight enough to hold display in desired position. Adjust as required before proceeding. See "ADJUSTMENT" for detail.
2. Carefully place display face down on a clean and dry surface.
3. Determine depth of recessed mounting holes relative to back surface of display.
4. Select proper length spacer and screw from table below:

IMPORTANT ! : All spacers used should be the same length. If the recess depths result in multiple spacer lengths, then select the longer spacer.

IF recess DEPTH is:	THEN use spacer:	AND screw:
3/8" or less	G4 (3/8" long)	G2 (G4 x 20mm)
More than 3/8" up to and including 3/4"	G5 (3/4" long)	G3 (G4 x 30mm)

5. Place the four (G4 or G5) spacers over each mounting hole on the back of display. (See Figure 6)
6. Orient mount so that mounting holes in the Centris cup are aligned with the holes in the spacers (G4 or G5); rotate the Centris cup as required (See Figure 6).



CAUTION: IMPROPER INSTALLATION CAN LEAD TO DISPLAY FALLING CAUSING SERIOUS PERSONAL INJURY OR DAMAGE TO EQUIPMENT! Using screws of improper size may damage your display! Proper screws will easily and completely thread into display mounting holes.

7. Using Phillips screwdriver, install four screws (G2 or G3) through the mounting holes in Centris cup, through the spacers (G4 or G5), into display (See Figure 6).
8. Tighten all four screws. Do not overtighten!
9. Return to mount installation section to continue.

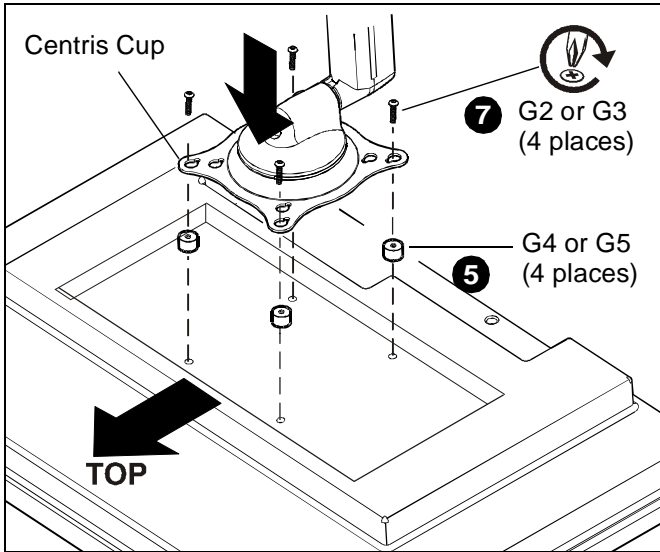


Figure 6

Cable Management

1. Attach all cables to display.
2. Open the cable management bracket by sliding it towards the edge of the arm (See Figure 7).

NOTE: If necessary, cable management bracket attach screws may be loosened using 3/32" hex key (H).

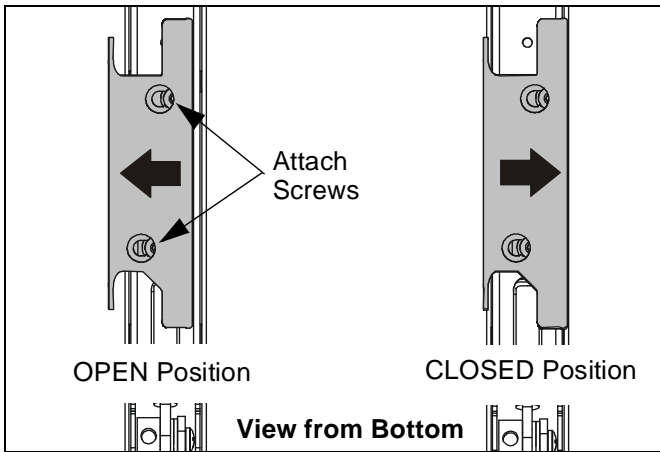


Figure 7

CAUTION: Ensure that adequate cable slack exists for movement of display, and that cables will not be pinched when bracket is closed.

3. Carefully insert cables into bracket (See Figure 8).

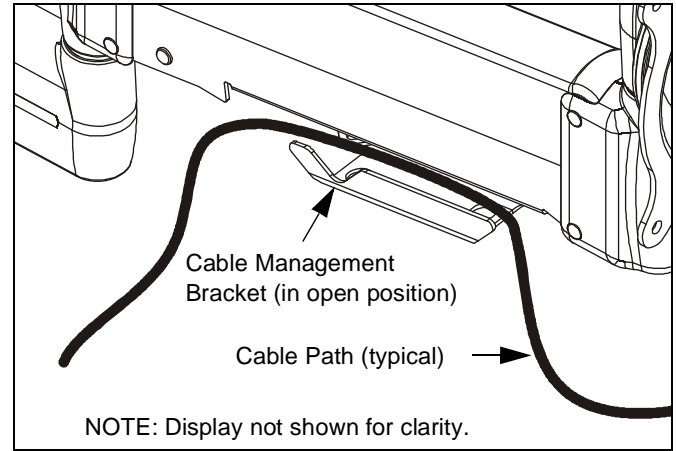


Figure 8

4. Close cable management bracket by sliding it back towards the centerline of the arm (See Figure 7).

NOTE: If necessary, cable management bracket attach screws may be tightened using 3/32" hex key (H).



CAUTION: Ensure that adequate cable slack exists for movement of display, and that cables will not be pinched by installation of cover (E) or screws (F).

5. Carefully insert cables in cavity located in lower portion of mount arm (See Figure 9).
6. Using Phillips screwdriver, install cover (E) with two screws (F).

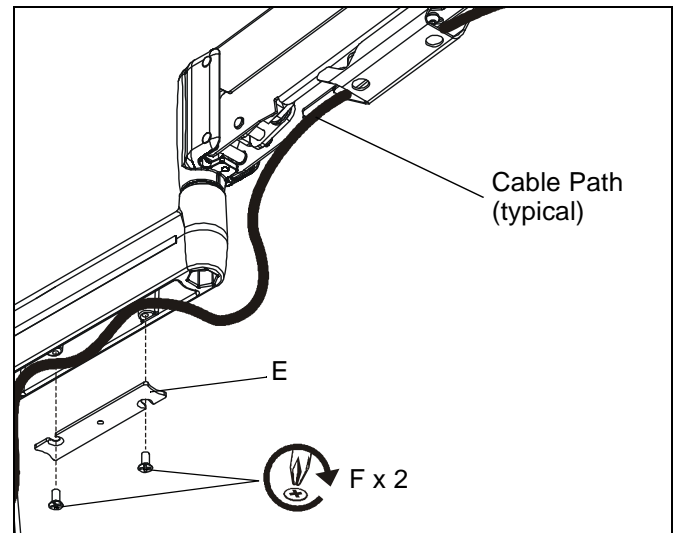


Figure 9

Installation is complete.

Adjustments

Centris Head Tension Adjustment

1. If previously attached, disconnect cables from display, remove display.

- Using Phillips screwdriver, slightly loosen or tighten the adjustment screw as necessary (See Figure 10).

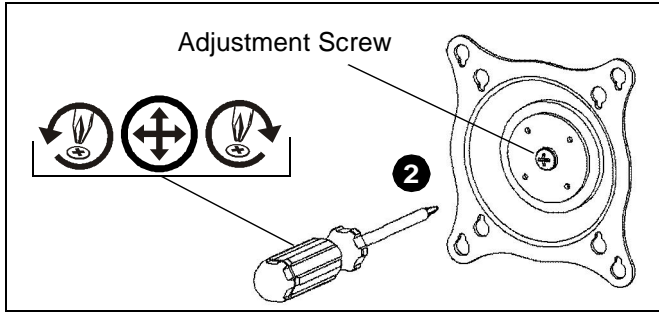


Figure 10

- Reinstall display. See *Display Installation* in this document.

Display Adjustment

Lateral position on display:

- Using your fingers, slightly loosen adjustment knob "A". (See Figure 11)
- Slide display to desired position.
- Using your fingers, tighten adjustment knob "A". (See Figure 11)

PITCH / YAW / ROLL Tension

- Using your fingers, slightly loosen adjustment knob "B". (See Figure 11)
- Adjust display as desired.
- Using your fingers, tighten adjustment knob "B".

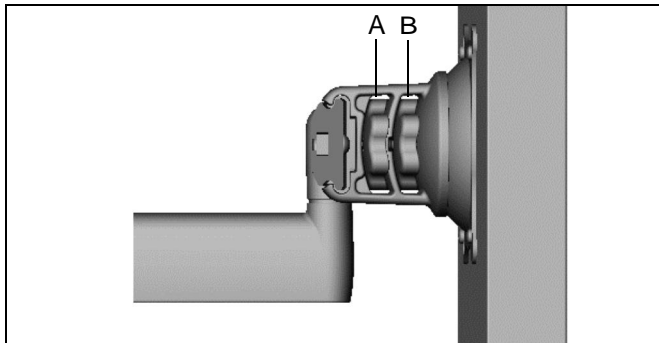


Figure 11

Swing Arm Tension

- Using 3/16" hex wrench (C), loosen or tighten adjustment screw(s) as necessary (See Figure 12).

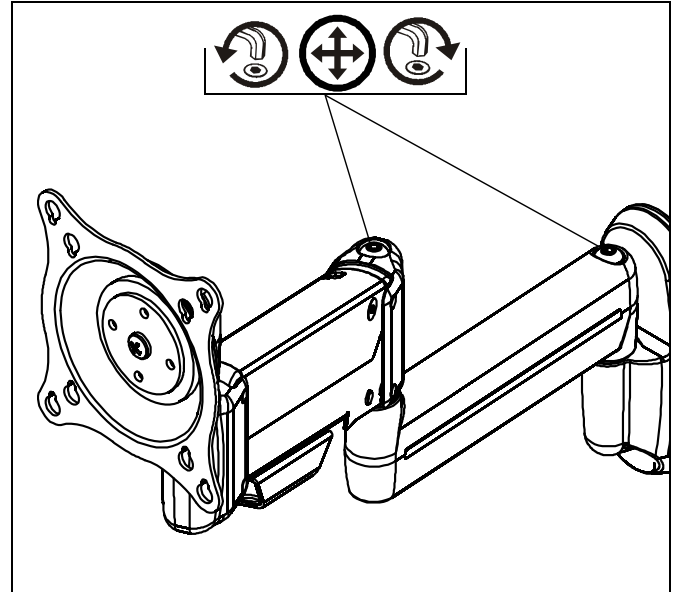


Figure 12



Our Mounts. **Your Vision.**

Chief Manufacturing, a products division
of Milestone AV Technologies

8832-000237 Rev01
©2010 Milestone AV Technologies, a
Duchossois Group Company
www.chiefmfg.com
08/10

USA/International	A 8401 Eagle Creek Parkway, Savage, MN 55378 P 800.582.6480 / 952.894.6280 F 877.894.6918 / 952.894.6918
Europe	A Fellenoord 130 5611 ZB EINDHOVEN, The Netherlands P +31 (0)40 2668620 F +31 (0)40 2668615
Asia Pacific	A Office No. 1 on 12/F, Shatin Galleria 18-24 Shan Mei Street Fotan, Shatin, Hong Kong P 852 2145 4099 F 852 2145 4477

