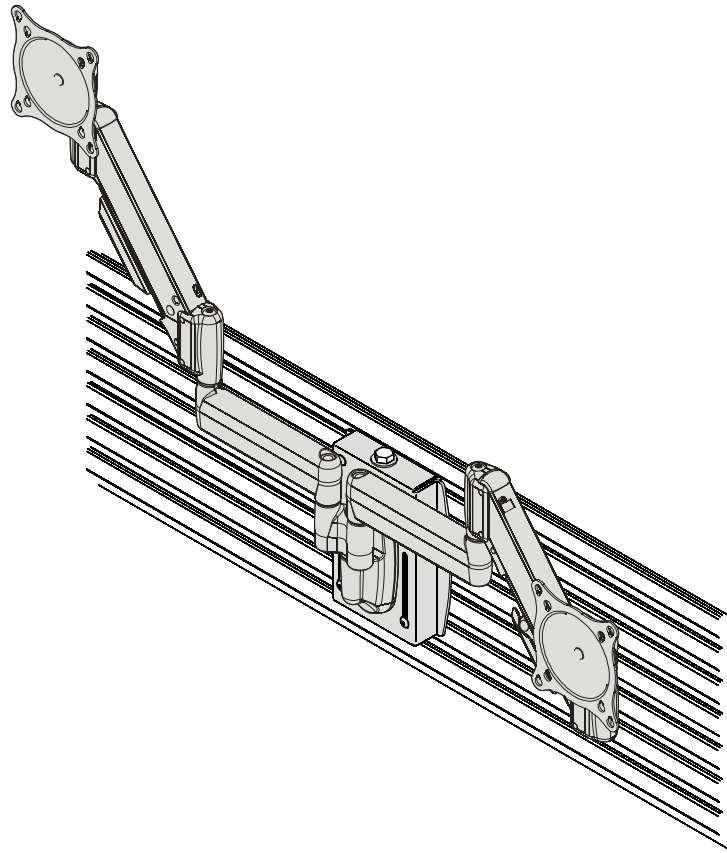

INSTALLATION INSTRUCTIONS



Universal Slat Wall Multi Arm Mount

DISCLAIMER

Milestone AV Technologies and its affiliated corporations and subsidiaries (collectively "Milestone"), intend to make this manual accurate and complete. However, Milestone makes no claim that the information contained herein covers all details, conditions or variations, nor does it provide for every possible contingency in connection with the installation or use of this product. The information contained in this document is subject to change without notice or obligation of any kind. Milestone makes no representation of warranty, expressed or implied, regarding the information contained herein. Milestone assumes no responsibility for accuracy, completeness or sufficiency of the information contained in this document.

Chief® and Centris™ are registered trademarks of Milestone AV Technologies. All rights reserved.

! IMPORTANT WARNINGS AND CAUTIONS!

! WARNING: A WARNING alerts you to the possibility of serious injury or death if you do not follow the instructions.

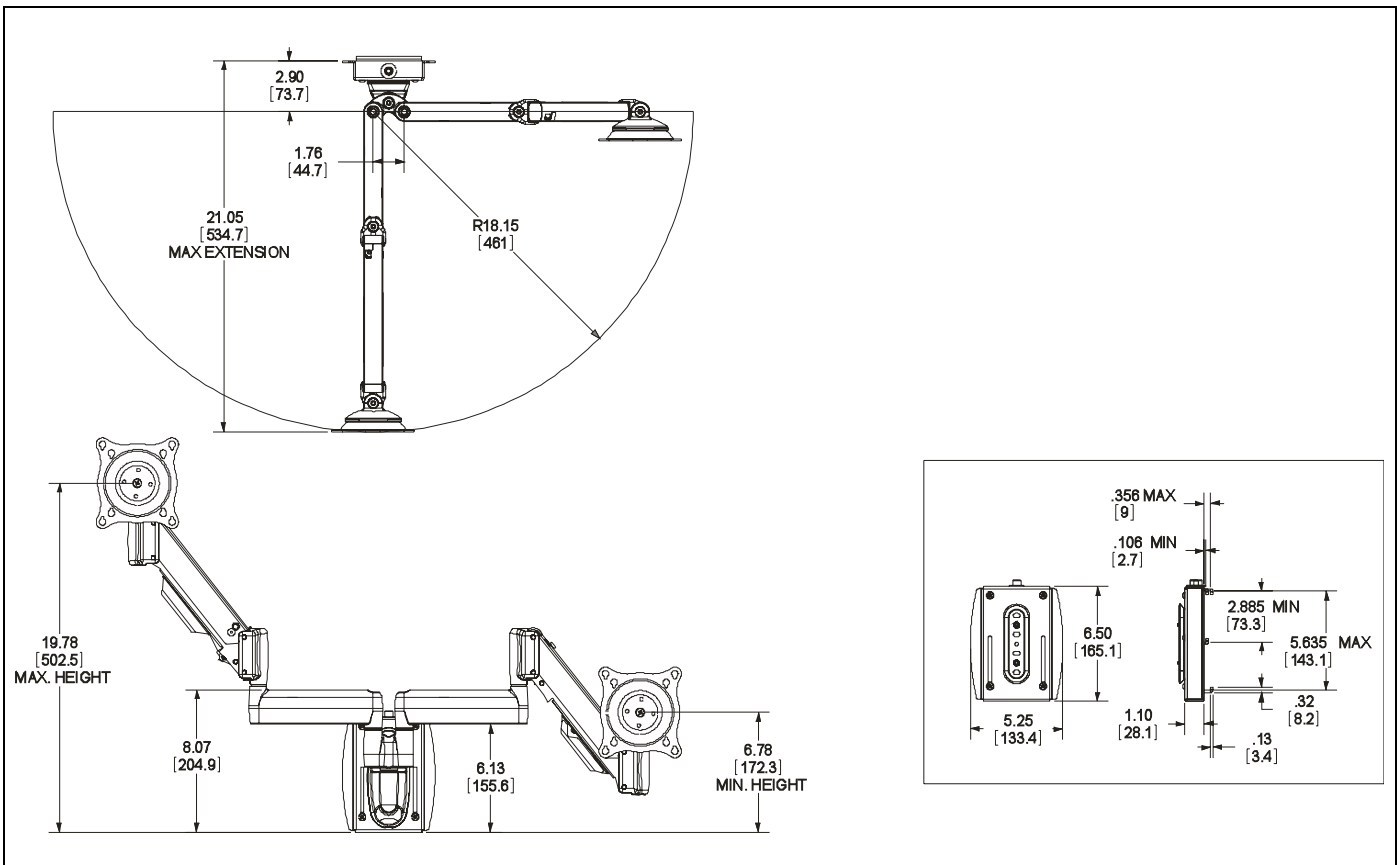
! CAUTION: A CAUTION alerts you to the possibility of damage or destruction of equipment if you do not follow the corresponding instructions.

! WARNING: Failure to read, thoroughly understand, and follow all instructions can result in serious personal injury, damage to equipment, or voiding of factory warranty! It is the installer's responsibility to make sure all components are properly assembled and installed using the instructions provided.

! WARNING: Failure to provide adequate structural strength for this component can result in serious personal injury or damage to equipment! It is the installer's responsibility to make sure the structure to which this component is attached can support five times the combined weight of all equipment. Reinforce the structure as required before installing the component.

! WARNING: Exceeding the weight capacity can result in serious personal injury or damage to equipment! It is the installer's responsibility to make sure the combined weight of all components located between the supporting structure and mount does not exceed 40 lbs (18.14 kg).

DIMENSIONS

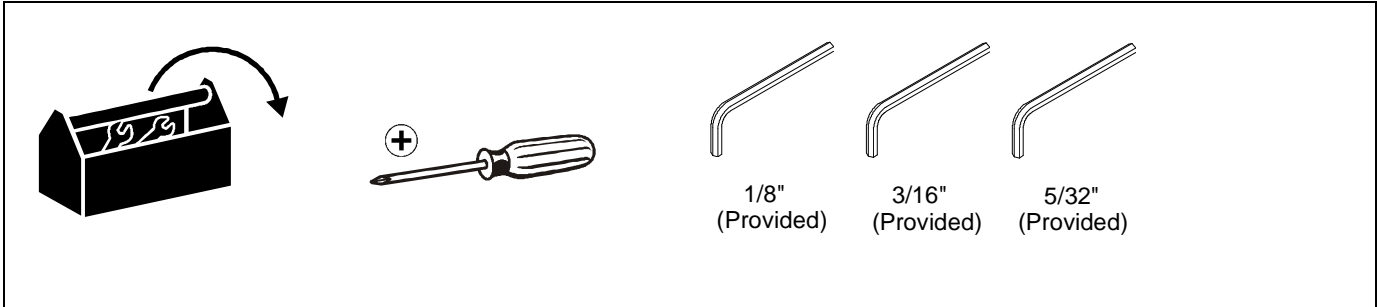


LEGEND

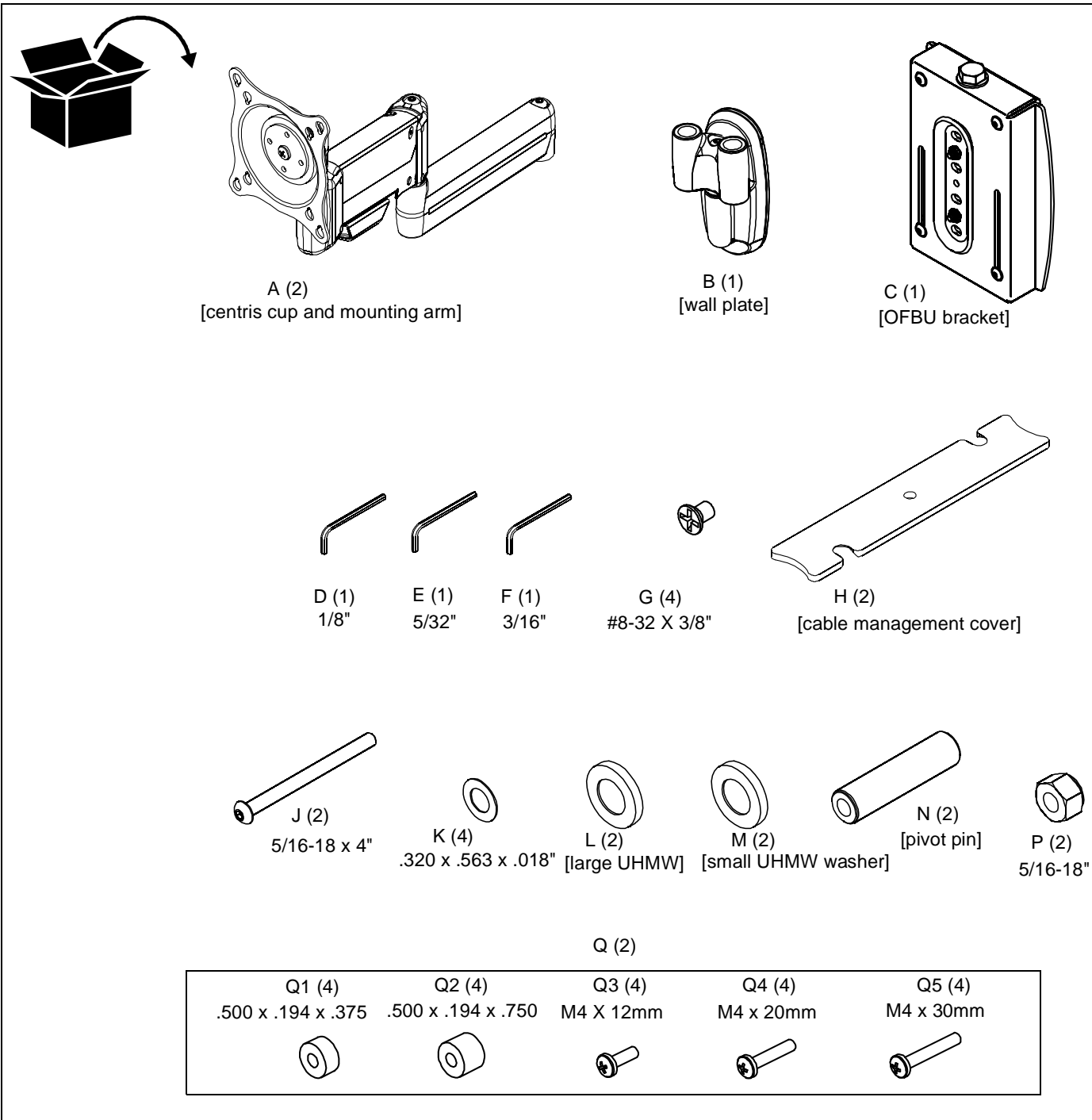
| | |
|--|-------------------------------|
| | Tighten Fastener |
| | Apretar elemento de fijación |
| | Befestigungsteil festziehen |
| | Apertar fixador |
| | Serrare il fissaggio |
| | Bevestiging vastdraaien |
| | Serrez les fixations |
| | Loosen Fastener |
| | Aflojar elemento de fijación |
| | Befestigungsteil lösen |
| | Desapertar fixador |
| | Allentare il fissaggio |
| | Bevestiging losdraaien |
| | Desserrez les fixations |
| | Phillips Screwdriver |
| | Destornillador Phillips |
| | Kreuzschlitzschraubendreher |
| | Chave de fendas Phillips |
| | Cacciavite a stella |
| | Kruiskopschroevendraaier |
| | Tournevis à pointe cruciforme |
| | Open-Ended Wrench |
| | Llave de boca |
| | Gabelschlüssel |
| | Chave de bocas |
| | Chiave a punte aperte |
| | Steeksleutel |
| | Clé à fourche |
| | By Hand |
| | A mano |
| | Von Hand |
| | Com a mão |
| | A mano |
| | Met de hand |
| | À la main |
| | Hex-Head Wrench |
| | Llave de cabeza hexagonal |
| | Sechskantschlüssel |
| | Chave de cabeça sextavada |
| | Chiave esagonale |
| | Zeskantsleutel |
| | Clé à tête hexagonale |

| | |
|--|------------------------|
| | Pencil Mark |
| | Marcar con lápiz |
| | Stiftmarkierung |
| | Marcar com lápis |
| | Segno a matita |
| | Potloodmerkten |
| | Marquage au crayon |
| | Drill Hole |
| | Perforar |
| | Bohrloch |
| | Fazer furo |
| | Praticare un foro |
| | Gat boren |
| | Percez un trou |
| | Adjust |
| | Ajustar |
| | Einstellen |
| | Ajustar |
| | Regolare |
| | Afstellen |
| | Ajuster |
| | Remove |
| | Quitar |
| | Entfernen |
| | Remover |
| | Rimuovere |
| | Verwijderen |
| | Retirez |
| | Optional |
| | Opcional |
| | Optional |
| | Opcional |
| | Opzionale |
| | Optie |
| | En option |
| | Security Wrench |
| | Llave de seguridad |
| | Sicherheitsschlüssel |
| | Chave de segurança |
| | Chiave di sicurezza |
| | Veiligheidssleutel |
| | Clé de sécurité |

TOOLS REQUIRED FOR INSTALLATION



PARTS



INSTALLATION



WARNING: FAILURE TO PROVIDE ADEQUATE STRUCTURAL STRENGTH FOR THIS COMPONENT CAN RESULT IN SERIOUS PERSONAL INJURY OR DAMAGE TO EQUIPMENT! It is the installer's responsibility to make sure the structure to which this component is attached can support five times the combined weight of all equipment. Reinforce the structure as required before installing the component.

OFBU and Wall Plate Installation

1. Install OFBU (C) following the instructions provided with the OFBU (C).

IMPORTANT ! : If the display being installed has a recessed mounting surface, the display must be assembled to the mount prior to mount installation. See *Display Installation* in this document before proceeding.

2. Insert top of wall plate (B) over lip on top of OFBU bracket (C). (See Figure 1)

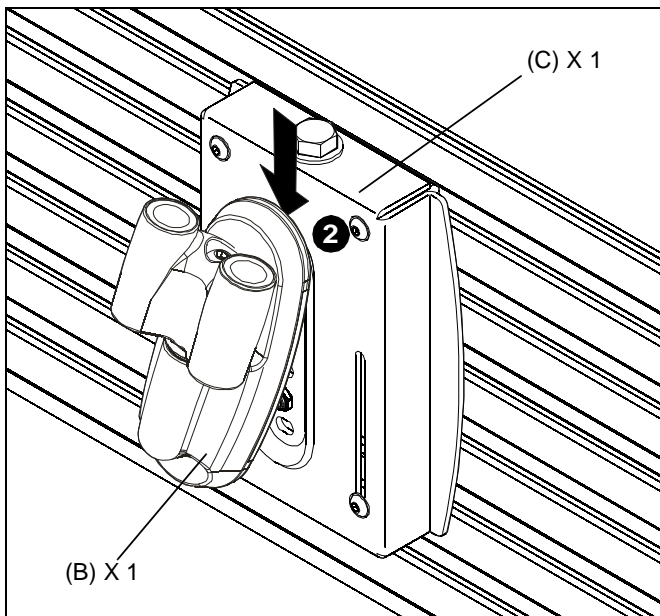


Figure 1

3. Swing wall plate (B) downward until flush against OFBU bracket (C). (See Figure 2)

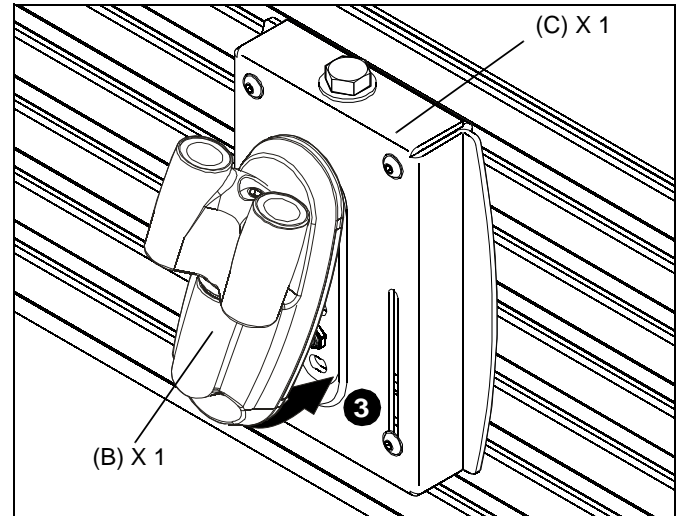


Figure 2

4. Tighten set screw using 5/32" hex key (E). (See Figure 3)



CAUTION: IMPROPER INSTALLATION CAN LEAD TO DISPLAY FALLING CAUSING SERIOUS PERSONAL INJURY OR DAMAGE TO EQUIPMENT! Make sure set screw engages back side of mounting dish on OFBU bracket (C). (See Figure 3)

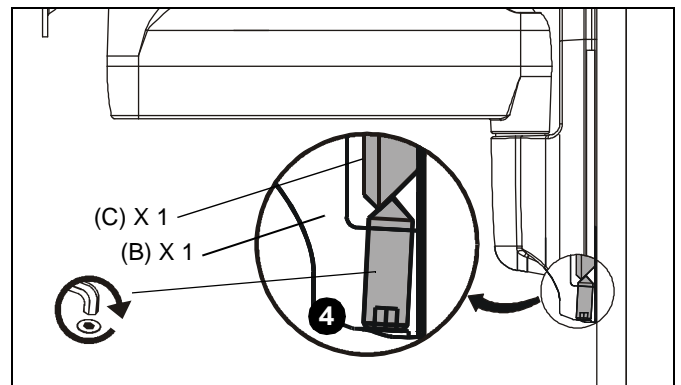


Figure 3

Swing Arm Installation

1. Insert pivot pin (N) into Y-connector upper bore.
2. Install large UHMW spacer (L). (See Figure 4)
3. Insert arm assembly (A) on pivot pin (N).
4. While holding nut (P) in lower bore of Y-connector, insert 5/16-18 X 4" button head cap screw (J) through washers (K), UHMW washer (M), arm assembly (A), spacer (L) and Y-connector, into nut (P). (See Figure 4)
5. Loosely install screw (J) using 3/16" hex key (F).
6. Repeat Steps 1. through 5. for second mount arm assembly (A).

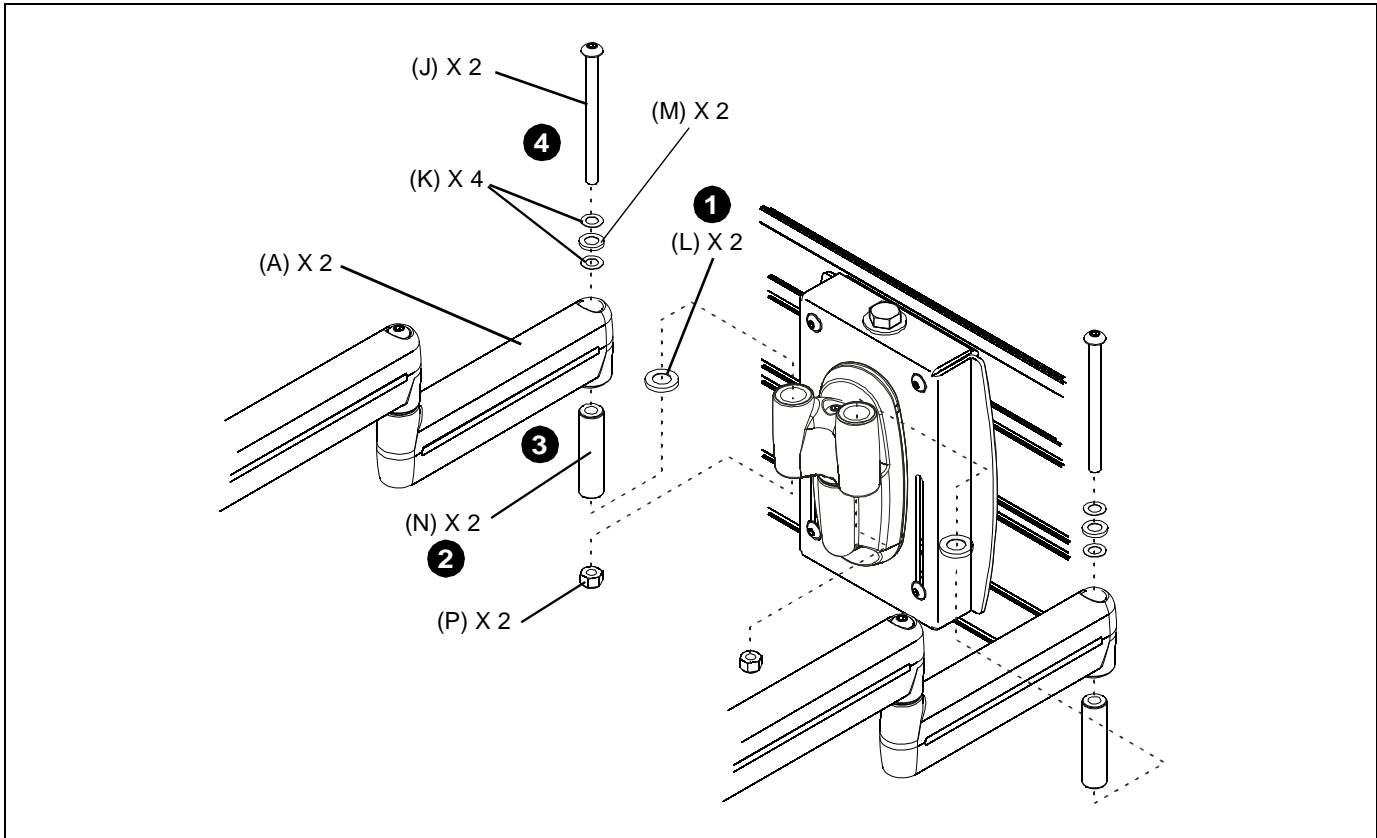


Figure 4

Display Installation

The mounting holes on the back of the display will be *flush with* the back surface, or *recessed into* the back. Refer to the applicable installation procedure below.

Flush Mount Display Installation



CAUTION: IMPROPER INSTALLATION CAN LEAD TO DISPLAY FALLING CAUSING SERIOUS PERSONAL INJURY OR DAMAGE TO EQUIPMENT! Using screws of improper size may damage your display! Proper screws will easily and completely thread into display mounting holes.



CAUTION: IMPROPER INSTALLATION CAN LEAD TO DISPLAY FALLING CAUSING SERIOUS PERSONAL INJURY OR DAMAGE TO EQUIPMENT! Inadequate thread engagement in display may cause display to fall! Back out screws ONLY as necessary to allow installation of Centris bracket!

1. Ensure Centris cup is able to swivel and tilt easily, yet still be tight enough to hold display in desired position. Adjust as required before proceeding. See "ADJUSTMENT" for detail.
2. Using Phillips screwdriver, carefully install two screws (Q3) into the *upper* mounting holes on the display. Thread screws completely into display, then back out 3 complete turns.
3. Align two screws (Q3) (installed on the back of the display

in the previous step) with the two top teardrop mounting holes on the Centris cup.



CAUTION: IMPROPER INSTALLATION CAN LEAD TO DISPLAY FALLING CAUSING SERIOUS PERSONAL INJURY OR DAMAGE TO EQUIPMENT! Smaller area of teardrop mounting holes must be facing downward for proper installation. Reposition Centris cup if required.

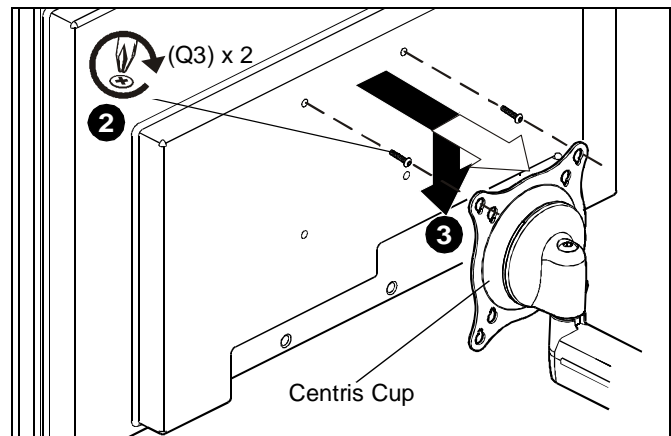


Figure 5

4. Using Phillips screwdriver, install two screws (Q3) through the *lower* mounting holes in Centris cup into the display.
5. Tighten all screws (Q3). Do not overtighten!

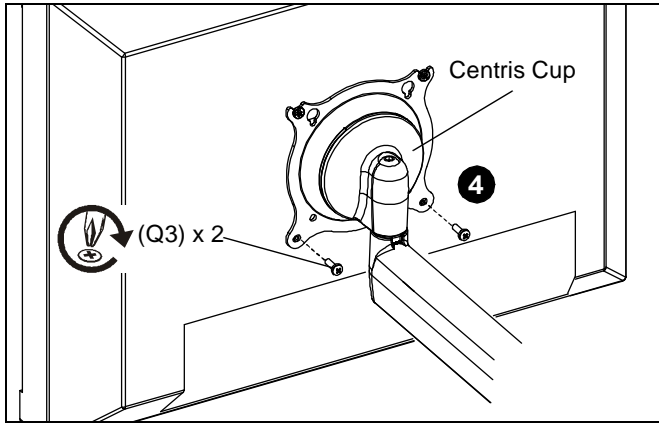


Figure 6

6. Repeat display installation procedures for second display.
7. Proceed to "CABLE MANAGEMENT."

Recessed Mount Display Installation

1. Ensure Centris bracket is able to swivel and tilt easily, yet still be tight enough to hold display in desired position. Adjust as required before proceeding. See "ADJUSTMENT" for detail.
2. Carefully place display face down on a clean and dry surface.
3. Determine depth of recessed mounting holes relative to back surface of display.
4. Select proper length spacer and screw from table below:

IMPORTANT ! : All spacers used should be the same length. If the recess depths result in multiple spacer lengths, then select the longer spacer.

| IF recess DEPTH is: | THEN use spacer: | AND screw: |
|---|------------------|----------------|
| 3/8" or less | Q1 (3/8" long) | Q4 (M4 x 20mm) |
| More than 3/8" up to and including 3/4" | Q2 (3/4" long) | Q5 (M4 x 30mm) |

5. Place the four spacers (Q1 or Q2) over each mounting hole on the back of display. (See Figure 7)
6. Orient mount so that mounting holes in the Centris cup are aligned with the holes in the spacers (Q1 or Q2); rotate the Centris cup as required (See Figure 7).



CAUTION: IMPROPER INSTALLATION CAN LEAD TO DISPLAY FALLING CAUSING SERIOUS PERSONAL INJURY OR DAMAGE TO EQUIPMENT! Using screws of improper size may damage your display! Proper screws will easily and completely thread into display mounting holes.

7. Using Phillips screwdriver, install four screws (Q4 or Q5) through the mounting holes in Centris cup, through the spacers (Q1 or Q2), into display (See Figure 7).
8. Tighten all four screws. Do not overtighten!
9. Return to mount installation section to continue.
10. Repeat display installation procedure for second display.

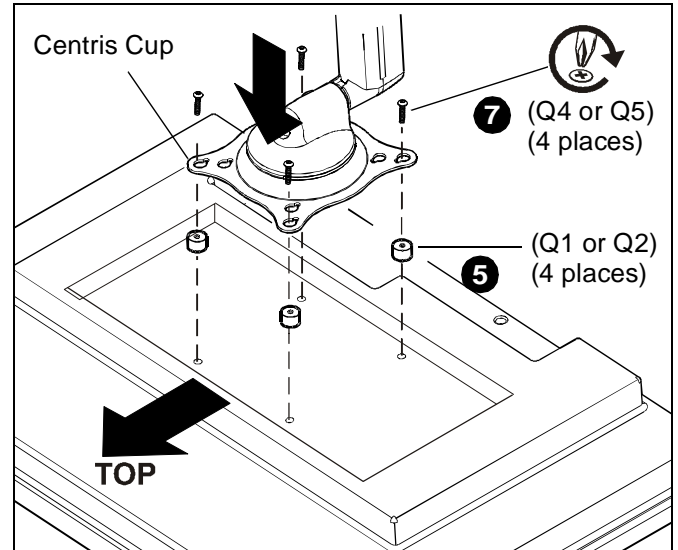


Figure 7

Cable Management

1. Attach all cables to display.
2. Open the cable management bracket by sliding it towards the edge of the arm (See Figure 8).

NOTE: If necessary, cable management bracket attach screws may be loosened using hex key.

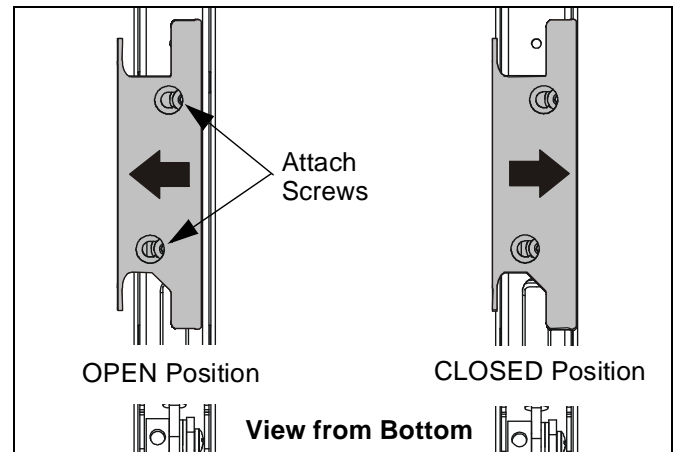


Figure 8



CAUTION: Ensure that adequate cable slack exists for movement of display, and that cables will not be pinched when bracket is closed.

3. Carefully insert cables into bracket (See Figure 9).

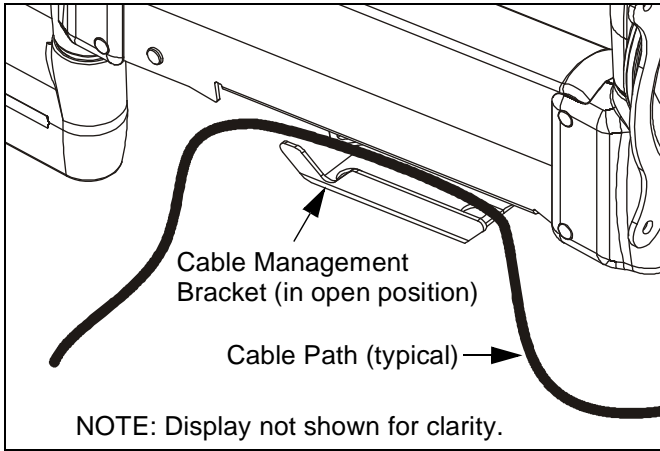


Figure 9

4. Close cable management bracket by sliding it back towards the centerline of the arm (See Figure 8).

NOTE: If necessary, cable management bracket attach screws may be tightened using hex key.



CAUTION: Ensure that adequate cable slack exists for movement of display, and that cables will not be pinched by installation of cover (H) or screws (G).

5. Carefully insert cables in cavity located in lower portion of mount arm (See Figure 10).
6. Using Phillips screwdriver, install cover (H) with two screws (G).

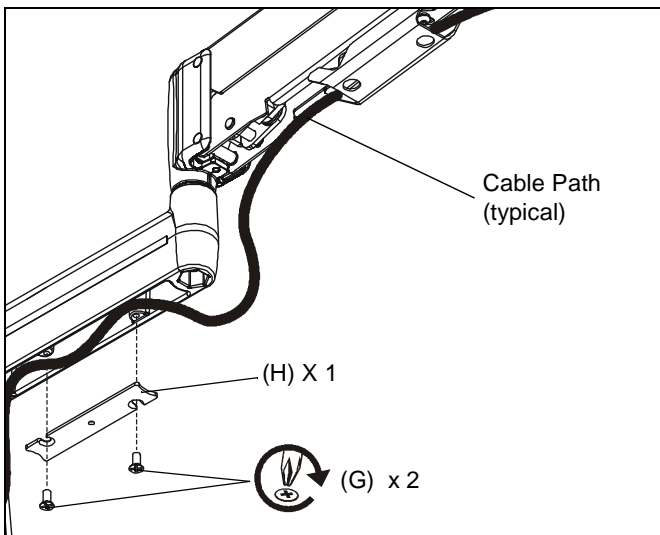


Figure 10

7. Repeat cable management procedures for second display.

Adjustments

Centris Head Tension Adjustment

1. If previously attached, disconnect cables from display, remove display.

2. Using Phillips screwdriver, slightly loosen or tighten the adjustment screw as necessary (See Figure 11).

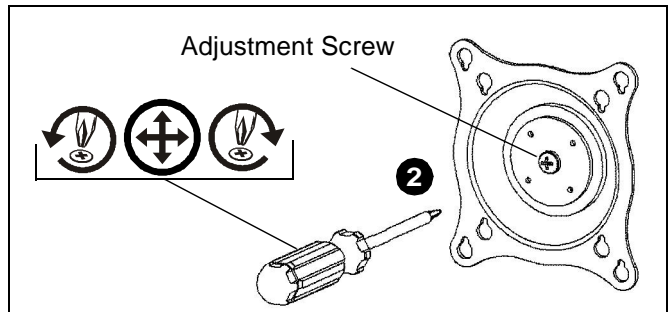


Figure 11

3. Reinstall display. See *Display Installation* in this document.

Swing Arm Tension Adjustment

1. Using 3/16" hex wrench (F), loosen or tighten adjustment screw(s) as necessary (See Figure 12).

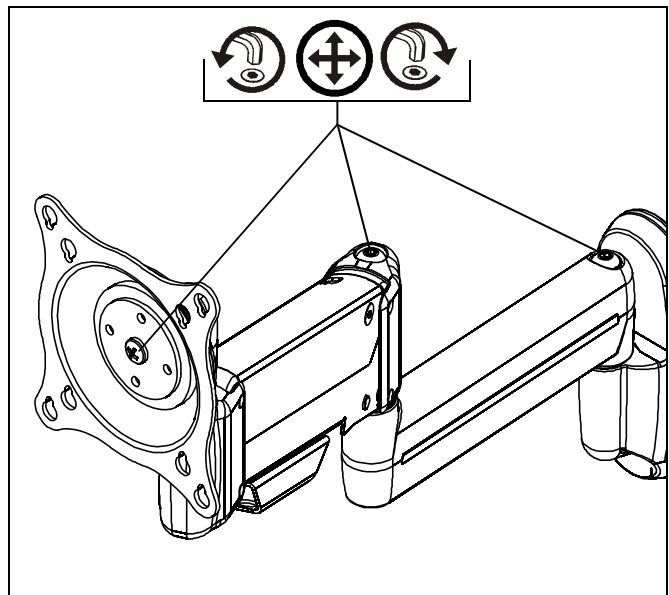


Figure 12



Our Mounts. **Your Vision.**

Chief Manufacturing, a products division
of Milestone AV Technologies

8832-000239 Rev01
©2011 Milestone AV Technologies, a
Duchossois Group Company
www.chiefmfg.com
02/11

| | |
|--------------------------|---|
| USA/International | A 8401 Eagle Creek Parkway, Savage, MN 55378 P 800.582.6480 / 952.894.6280 F 877.894.6918 / 952.894.6918 |
| Europe | A Fellenoord 130 5611 ZB EINDHOVEN, The Netherlands P +31 (0)40 2668620 F +31 (0)40 2668615 |
| Asia Pacific | A Office No. 1 on 12/F, Shatin Galleria 18-24 Shan Mei Street Fotan, Shatin, Hong Kong P 852 2145 4099 F 852 2145 4477 |

