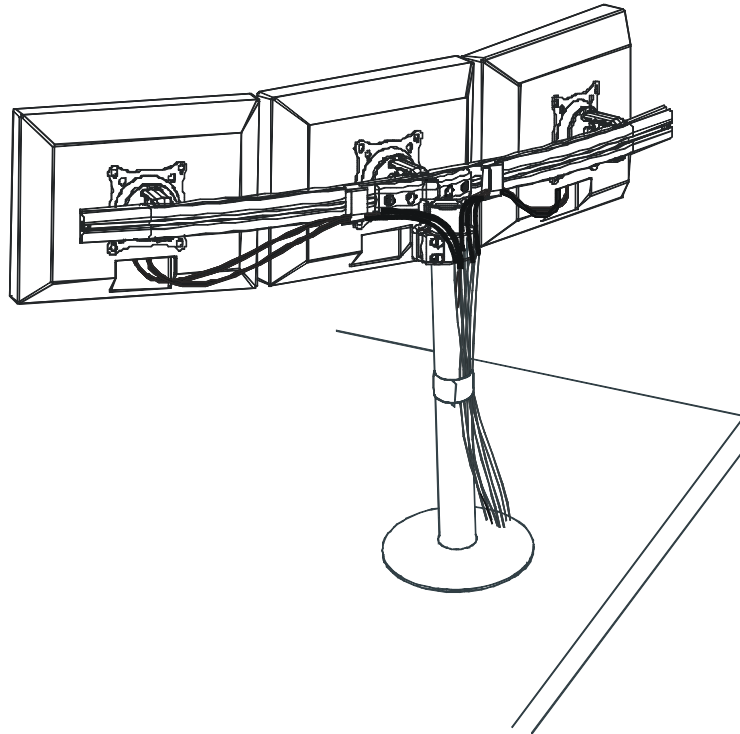

INSTALLATION INSTRUCTIONS



Vertical Grommet Mount Table Stand

DISCLAIMER

Milestone AV Technologies and its affiliated corporations and subsidiaries (collectively "Milestone"), intend to make this manual accurate and complete. However, Milestone makes no claim that the information contained herein covers all details, conditions or variations, nor does it provide for every possible contingency in connection with the installation or use of this product. The information contained in this document is subject to change without notice or obligation of any kind. Milestone makes no representation of warranty, expressed or implied, regarding the information contained herein. Milestone assumes no responsibility for accuracy, completeness or sufficiency of the information contained in this document.

Chief® is a registered trademark of Milestone AV Technologies. All rights reserved.



IMPORTANT WARNINGS AND CAUTIONS!



WARNING: A WARNING alerts you to the possibility of serious injury or death if you do not follow the instructions.



CAUTION: A CAUTION alerts you to the possibility of damage or destruction of equipment if you do not follow the corresponding instructions.



WARNING: Failure to read, thoroughly understand, and follow all instructions can result in serious personal injury, damage to equipment, or voiding of factory warranty! It is the installer's responsibility to make sure all components are properly assembled and installed using the instructions provided.



WARNING: Failure to provide adequate structural strength for this component can result in serious personal injury or damage to equipment! It is the installer's responsibility to make sure the structure to which this component is attached can support five times the combined weight of all equipment. Reinforce the structure as required before installing the component.

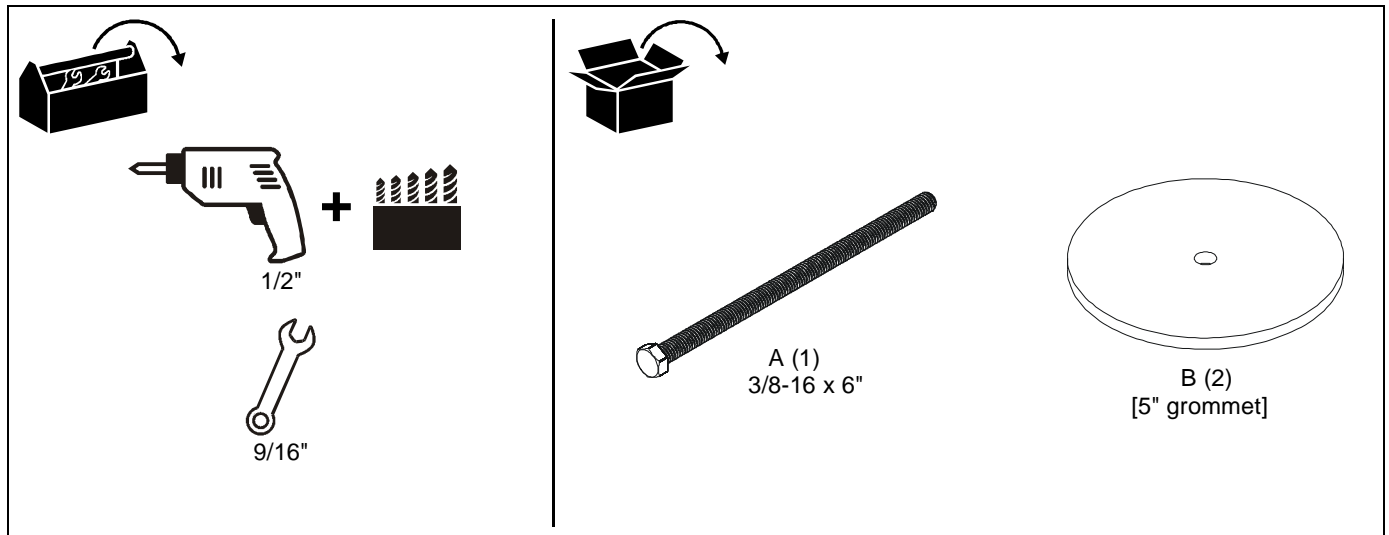


WARNING: Exceeding the weight capacity can result in serious personal injury or damage to equipment! It is the installer's responsibility to make sure the maximum weight installed on the KTA-1000 doesn't exceed 120 lbs (54.4 kg) if mounting an array component or 40 lbs (18.1 kg) if mounting an extended arm component.



WARNING: DO NOT install more than ONE dual extension arm assembly per mounting pole!

TOOLS / PARTS FOR INSTALLATION



ASSEMBLY AND INSTALLATION

1. Locate desired point on surface where mount is to be installed. (See Figure 1)
2. Drill a 1/2" diameter hole through surface.
3. Align upper and lower grommets (B) with hole in surface.
4. Slide one 3/8-16 x 6" hex head cap screw (A) upward through lower grommet (B), through hole in surface and through upper grommet (B).
5. Place pole, provided with array accessory, onto upper grommet (B) aligning threaded hole in pole bottom with threaded end of 3/8-16 x 6" hex head cap screw (A).
6. Thread 3/8-16 x 6" hex head cap screw (A) into pole bottom and tighten with 9/16" wrench to secure pole and grommets (B) to surface.
7. Mount Centris head assembly or array assembly to pole following the instructions outlined in the instructions provided with the mount.

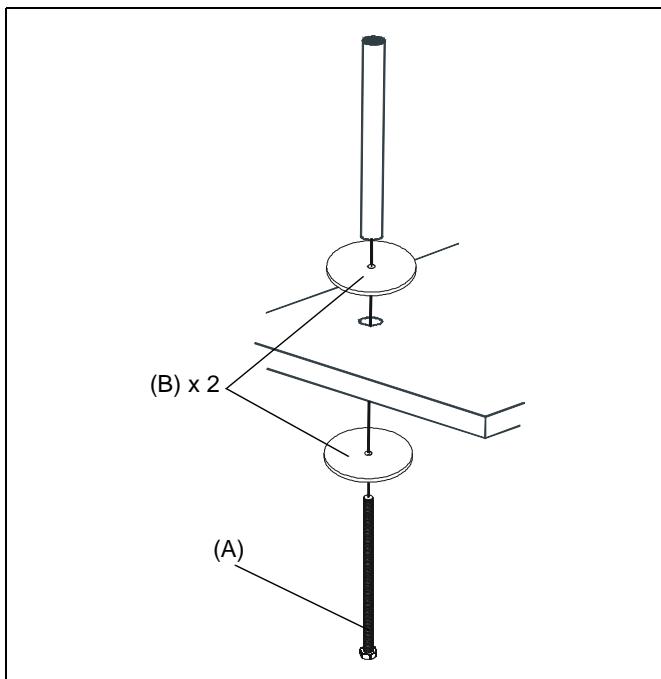


Figure 1



Our Mounts. **Your Vision.**

Chief Manufacturing, a products division
of Milestone AV Technologies

8807-000039 Rev02
©2010 Milestone AV Technologies, a
Duchossois Group Company
www.chiefmfg.com
01/10

USA/International	A 8401 Eagle Creek Parkway, Savage, MN 55378 P 800.582.6480 / 952.894.6280 F 877.894.6918 / 952.894.6918
Europe	A Fellenoord 130 5611 ZB EINDHOVEN, The Netherlands P +31 (0)40 2668620 F +31 (0)40 2668615
Asia Pacific	A Office No. 1 on 12/F, Shatin Galleria 18-24 Shan Mei Street Fotan, Shatin, Hong Kong P 852 2145 4099 F 852 2145 4477

