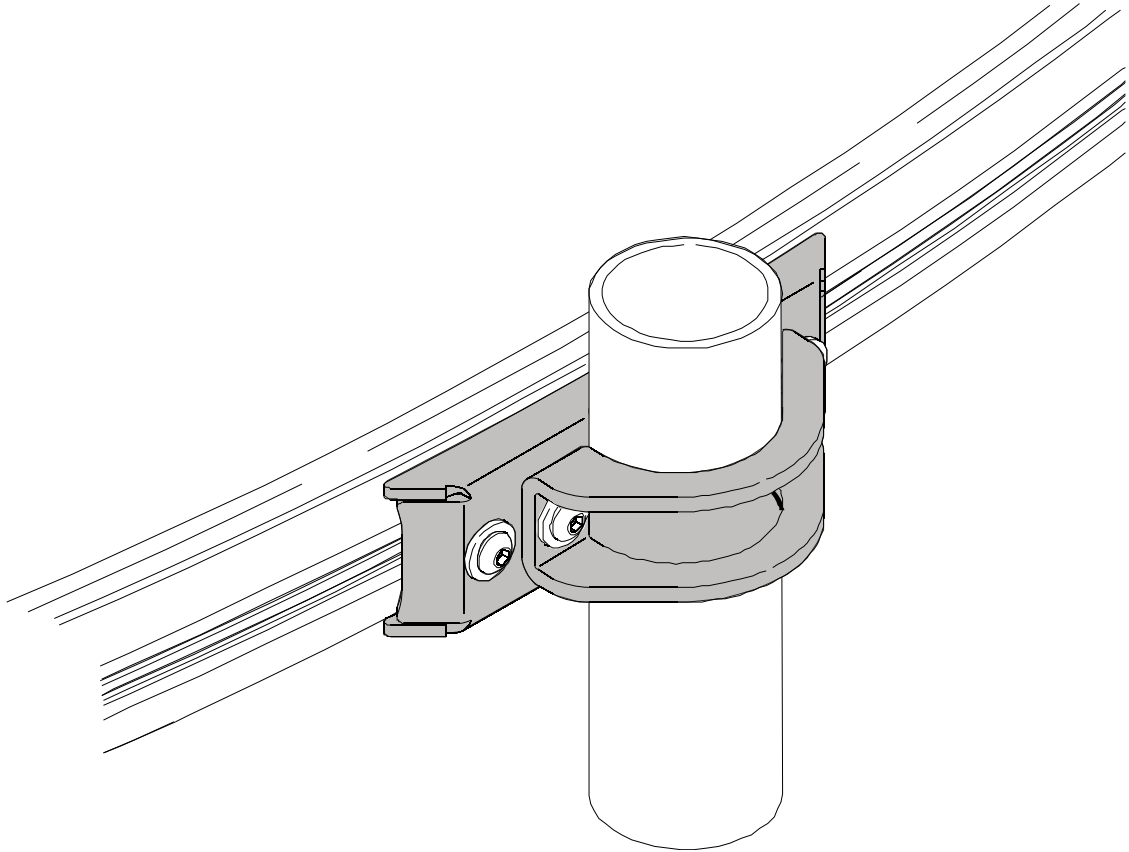


---

# INSTALLATION INSTRUCTIONS

---



---

**Dual Array Pole Mount Accessory**

---

## DISCLAIMER

CSAV, Inc., and its affiliated corporations and subsidiaries (collectively, "CSAV"), intend to make this manual accurate and complete. However, CSAV makes no claim that the information contained herein covers all details, conditions or variations, nor does it provide for every possible contingency in connection with the installation or use of this product. The information contained in this document is subject to change without notice or obligation of any kind. CSAV makes no representation of warranty, expressed or implied, regarding the information contained herein. CSAV assumes no responsibility for accuracy, completeness or sufficiency of the information contained in this document.

## ! IMPORTANT WARNINGS AND CAUTIONS!

**! WARNING:** A WARNING alerts you to the possibility of serious injury or death if you do not follow the instructions.

**! CAUTION:** A CAUTION alerts you to the possibility of damage or destruction of equipment if you do not follow the corresponding instructions.

**! WARNING:** Failure to read, thoroughly understand, and follow all instructions can result in serious personal injury, damage to equipment, or voiding of factory warranty! It is the installer's responsibility to make sure all components are properly assembled and installed using the instructions provided.

**! WARNING:** Failure to provide adequate structural strength for the installation of this kit can result in serious personal injury or damage to equipment! It is the installer's responsibility to make sure the structure to which this mount is attached can support five times the combined weight of all equipment.

**! WARNING:** Exceeding the weight capacity can result in serious personal injury or damage to equipment! See the installation instructions that came with the array onto which this accessory is being installed for weight limits.

## LEGEND

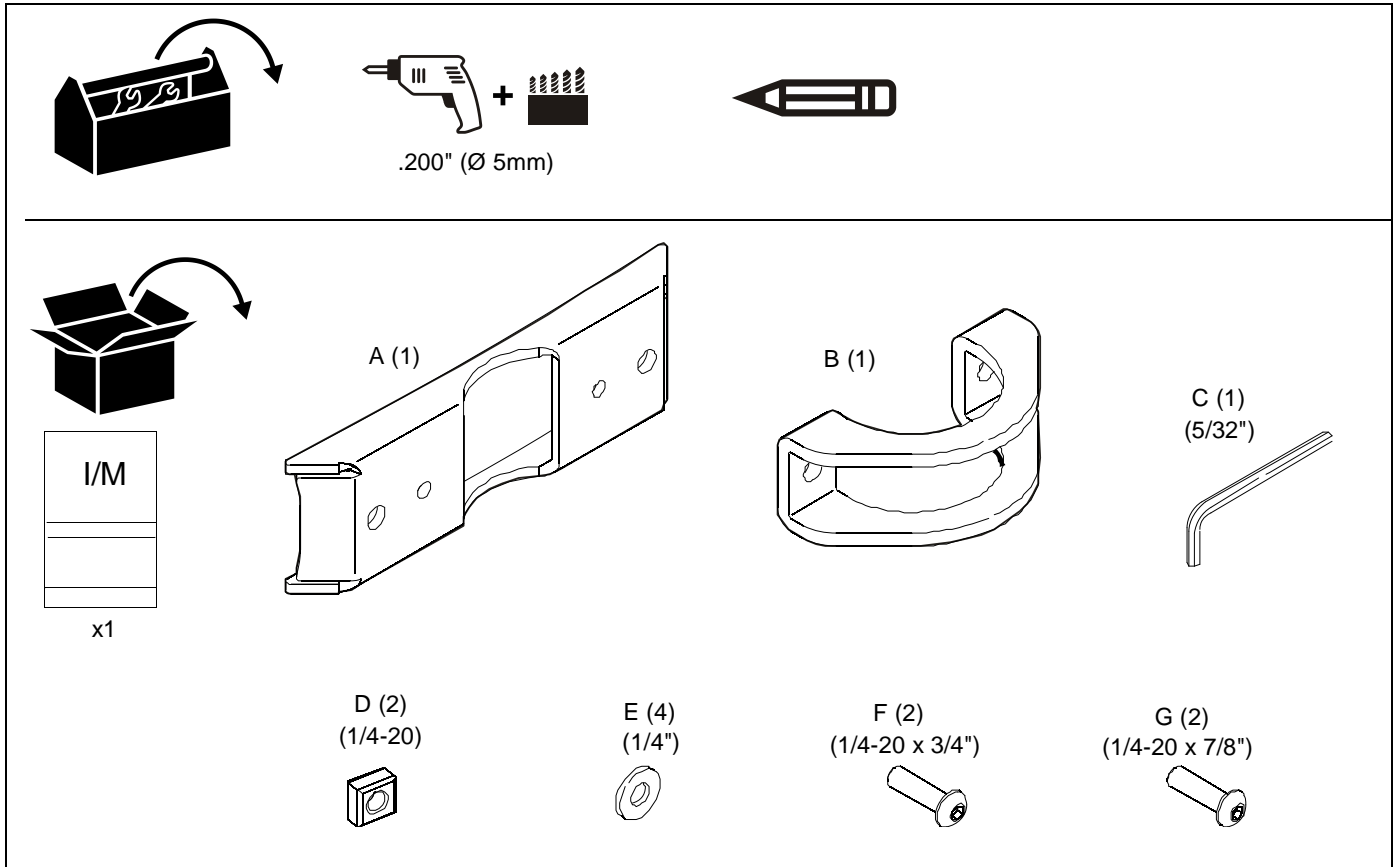
	<b>Tighten Fastener</b>
	Apretar elemento de fijación
	Befestigungsteil festziehen
	Apertar fixador
	Serrare il fissaggio
	Bevestiging vastdraaien
	Serrez les fixations
Сожмите Застежку	

	<b>Loosen Fastener</b>
	Aflojar elemento de fijación
	Befestigungsteil lösen
	Desapertar fixador
	Allentare il fissaggio
	Bevestiging losdraaien
	Desserrez les fixations
Ослабьте Застежку	

	<b>Adjust</b>
	Ajustar
	Einstellen
	Ajustar
	Regolare
	Afstellen
	Ajuster
Приспособьтесь	

	<b>Hex-Head Wrench</b>
	Llave de cabeza hexagonal
	Sechskantschlüssel
	Chave de cabeça sextavada
	Chiave esagonale
	Zeskantsleutel
	Clé à tête hexagonale
Главный ведемой Рывок	

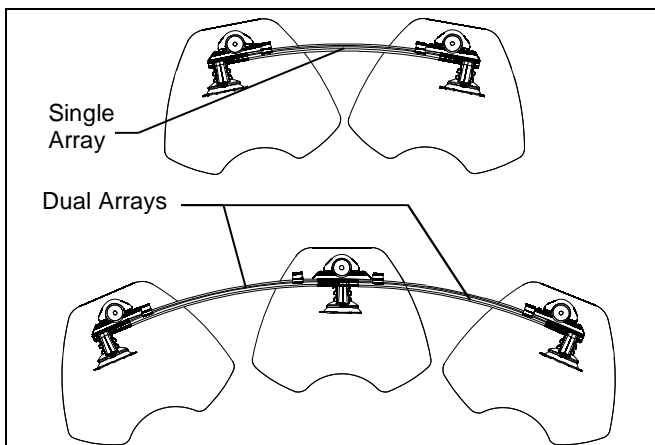
**TOOLS REQUIRED FOR INSTALLATION AND PARTS**



**ASSEMBLY and INSTALLATION**

The following procedures assume an additional base and pole have been purchased and are available. The procedures also assume that no displays are mounted to the existing array.

The KTA1003 is used to allow the attachment of an additional pole and base to an existing array or connecting two arrays together. (See Figure 1)



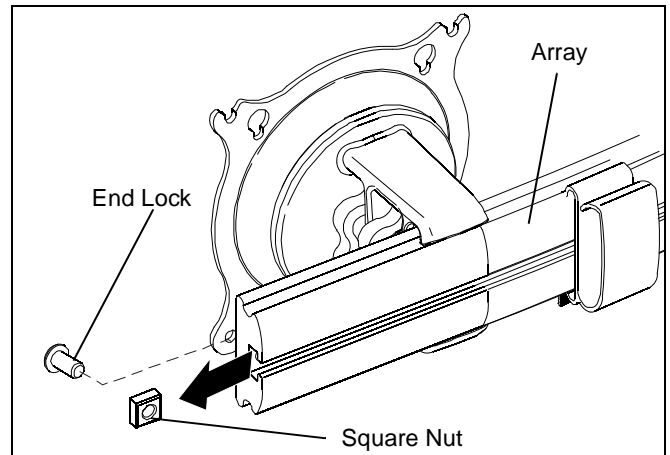
**Figure 1**

1. Loosen four Button head cap screws securing existing pole clamp to array.
2. Slide existing base towards left hand side of array approximately halfway between middle and left hand Centris cup.

**NOTE:** Steps 1 and two do not apply if two arrays are being joined together.

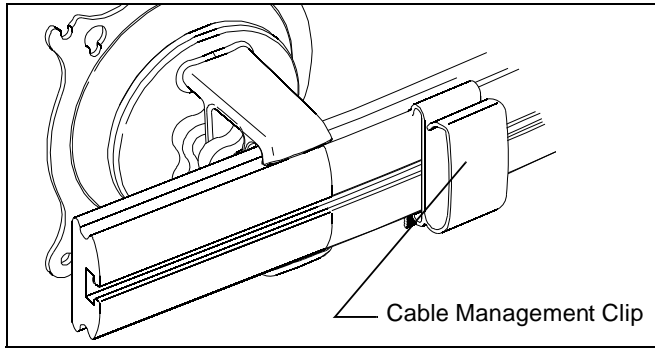
3. Loosen and remove end lock retaining screw and set aside for reuse. (See Figure 2)
4. Slide end lock out of array channel and set aside for reuse. (See Figure 2)

**NOTE:** If two arrays are being joined together the end lock retaining screw and end lock must be removed from ends that are being joined, and the hardware will not be reused.

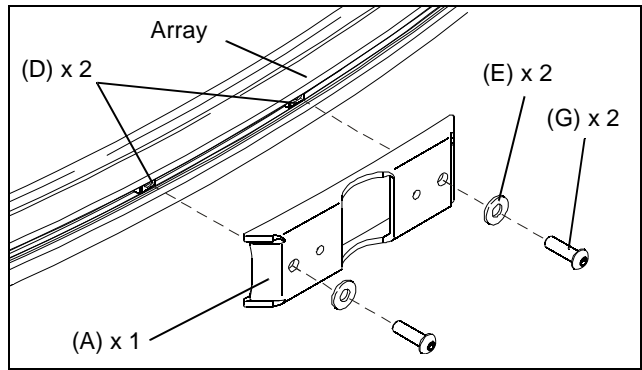


**Figure 2**

5. Remove two cable management clips from array and set aside for reuse. (See Figure 3)

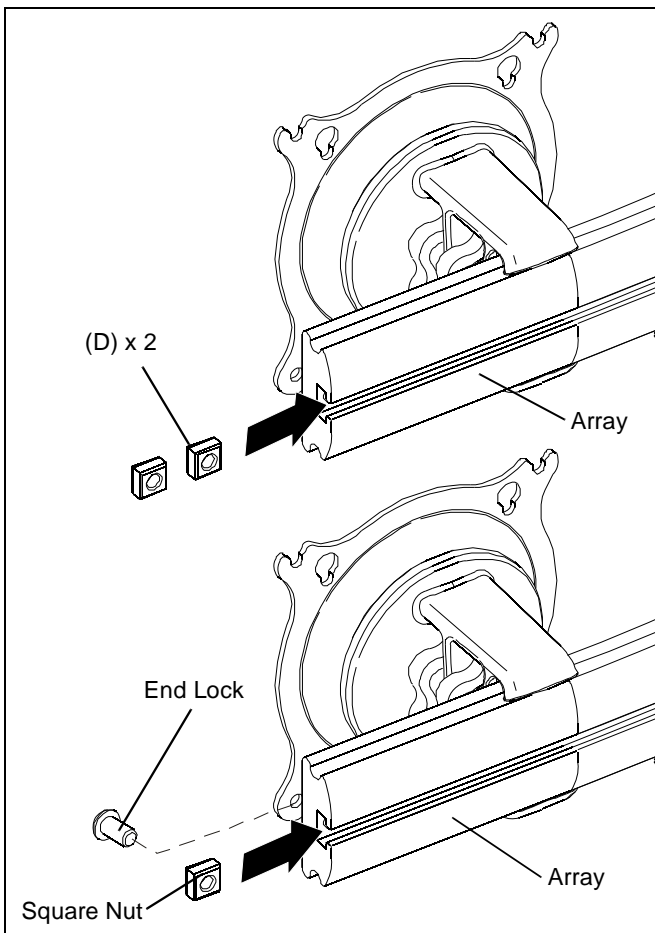


**Figure 3**

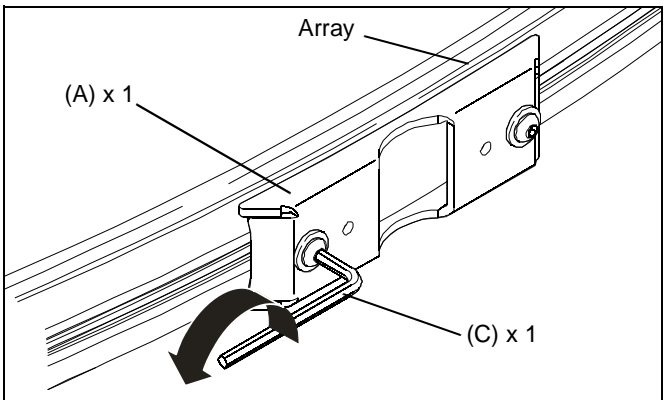


**Figure 5**

6. Install two square nuts (D) into array channel and position at approximate mounting location of second base. (See Figure 4)
- NOTE:** Chamfered side of square nuts should be facing pole.
7. Install end lock into array channel and secure to array channel using retaining screw. (See Figure 4)
- NOTE:** Step 7 only applies when adding an additional base to one existing array.

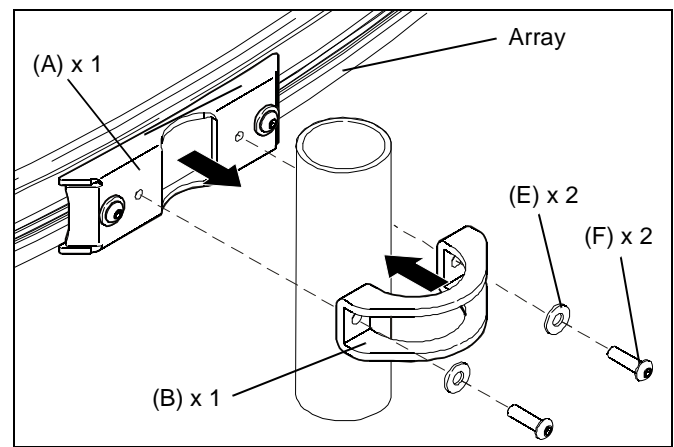


**Figure 4**



**Figure 6**

9. Assemble pole to base following the instructions provided with the accessories.
10. Align pole of new base assembly with new array attachment bracket. (See Figure 7)
11. Install two button head cap screws (F) and two flat washers (E) through pole clamp (B) and into array attachment bracket (A). (See Figure 7) and (See Figure 8)

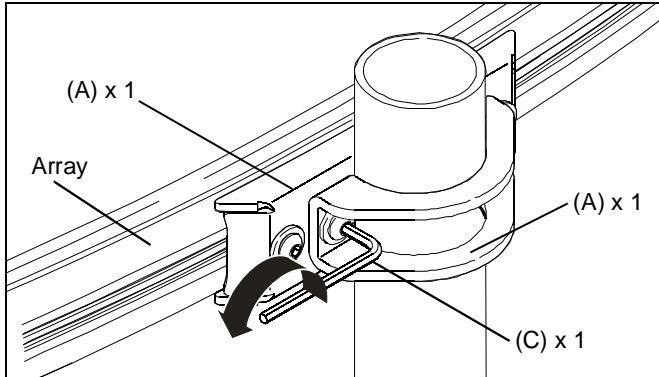


**Figure 7**

8. Align outer mounting holes in front array attachment bracket (A) with two square nuts (D) in array channel(s) and secure using two flat washers (E) and two button head cap screws (G). (See Figure 5) and (See Figure 6)

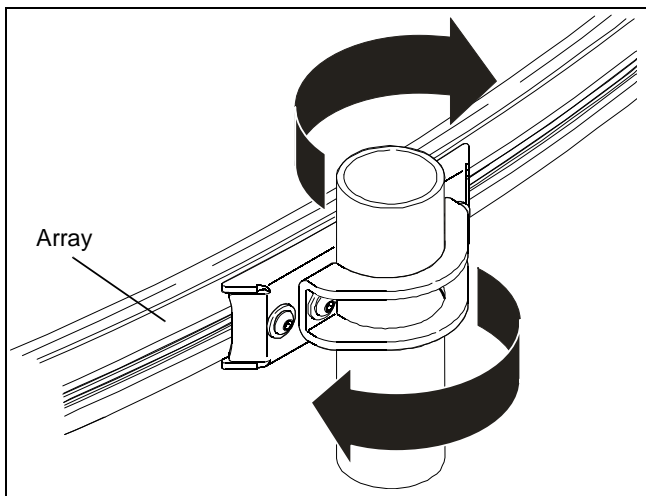
**NOTE:** DO NOT tighten at this time!.

12. Secure pole clamp (B) to array attachment bracket (A) using hex wrench (C) provided. DO NOT fully tighten at this time! (See Figure 8)

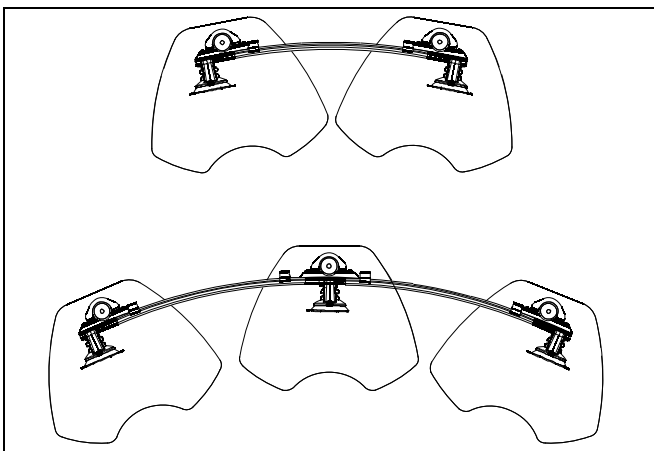


**Figure 8**

13. Slide base assemblies left or right and turn poles accordingly to ensure bases are evenly spaced across array and properly positioned. (See Figure 9) and (See Figure 10)



**Figure 9**



**Figure 10**

14. Tighten all button head cap screws to secure array attachment bracket(s) (A) to array(s) using 5/32" hex wrench (C) provided.
15. Install displays following the installation instructions provided with the array mount.



8832-000225  
©2007 Chief Manufacturing  
[www.chiefmfg.com](http://www.chiefmfg.com)  
05/07

<b>USA/International</b>	<b>A</b> 8401 Eagle Creek Parkway, Savage, MN 55378 <b>P</b> 800.582.6480 / 952.894.6280 <b>F</b> 877.894.6918 / 952.894.6918
<b>Europe</b>	<b>A</b> Fellenoord 130 5611 ZB EINDHOVEN, The Netherlands <b>P</b> +31 40 2668620 <b>F</b> +31 (0) 40 2668615
<b>Asia Pacific</b>	<b>A</b> Room 30I, Block D, Lily YinDu International Building LuoGang, BuJi Town, Shenzhen, CHINA. Post Code: 518112 深圳市布吉罗岗百合银都国际大厦D栋30I <b>P</b> +86-755-8996 9226 ; 8996 9236 ; 8996 9220 <b>F</b> +86-755-8996 9217