
INSTALLATION INSTRUCTIONS

Small Flat Panel

Height-Adjustable, Extended Pitch

Swing Arm Wall Mount

Model KWE-110

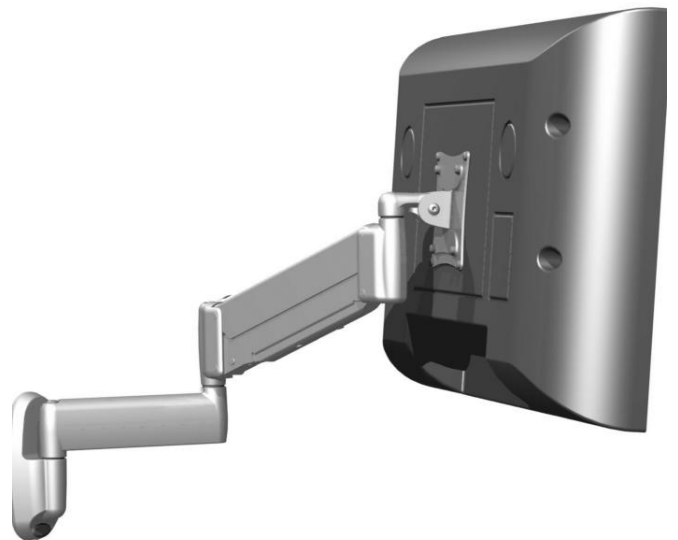
The KWE dual swing arm wall mount is designed to provide a broad range of viewing for Small Flat Panel Displays.

The KWE can be easily rotated laterally. The lift arm has 13 inches of vertical travel, 6-1/2" up from center and 6-1/2" down from center.

On standard installations, the KWE is wall-mounted.

The mount will safely hold a display weighing up to 20 lbs (9 kg) maximum. The display can be up to 30 inches wide.

The KWE-110 accommodates all VESA® 75mm/100mm compliant displays.



BEFORE YOU BEGIN

WARNING: Thoroughly read and understand all Warnings and precautions (see page 2), instructions and illustrations before you begin mount installation. Failure to install the mount properly could lead to serious personal injury, damage to equipment, and may void the factory warranty.

- The mount is designed to be installed using wall studs or supporting framework. The fasteners used to anchor the mount must be capable of supporting five times the total weight of the equipment.
- The maximum weight to be installed on the mount is 20 pounds (9 Kg).
- If you have any questions about this installation, contact Chief Manufacturing.

Chief® is a registered trademark of Milestone AV Technologies. All rights reserved.



Our Mounts. **Your Vision.**

Chief Manufacturing,
a products division of Milestone AV Technologies
8401 Eagle Creek Parkway, Savage, MN 55378
• P: 800.582.6480 / 952.894.6280 • F: 877.894.6918 / 952.894.6918

8832-000121 RevC
©2009 Milestone AV Technologies, a
Duchossois Group Company
www.chiefmfg.com

04/09



IMPORTANT WARNINGS AND CAUTIONS!

WARNING: A WARNING alerts you to the possibility of serious injury or death if you do not follow the instructions.

CAUTION: A CAUTION alerts you to the possibility of damage or destruction of equipment if you do not follow the corresponding instructions.

WARNING: Improper installation can result in serious personal injury! Make sure that the structural members can support a weight factor five times the total weight of the equipment. If not, reinforce the structure before installing the mount.

WARNING: Be aware also of the potential for personal injury or damage to the unit if it is not adequately mounted.

WARNING: The installer is responsible for verifying that the structure to which the mount is anchored will safely support five times the combined load of all attached components or other equipment.

WARNING: The weight of the display placed on the mount must not exceed 20 lbs. (9 kg), the maximum load capacity of the mount.

WARNING: Watch for pinch points. Do not put your fingers between movable parts.

WARNING: Make sure the mount and brackets are correctly oriented.

WARNING: Make sure the latching device securing the display is completely engaged at all times except when removing or installing the display. The latching device must be completely engaged when installing/ removing cables.

CAUTION: Check the unit for shipping damage before you begin the installation.

CAUTION: Use only the mounting screws provided and DO NOT OVER TIGHTEN mounting screws.

CONTENTS

IMPORTANT WARNINGS AND CAUTIONS! 2
 TOOLS REQUIRED FOR INSTALLATION 2
 PARTS 3
 INSTALLATION 4
 Wall Bracket Installation 4
 Secure Mount to Wall Bracket 4
 Display Mounting 5
 Flush VESA® Mount Installation 5
 Recessed VESA® Mount Installation 5
 Cable Management 5
 ADJUSTMENTS 6
 Spherical, Arm, and Lateral Movement
 Tension Adjustments 6
 Lift Arm Tension Adjustment 6

TOOLS REQUIRED FOR INSTALLATION

- Phillips screwdrivers, No. 1 and No. 2
- 3/16" Allen wrench
- Drill and drill bits

NOTE: Other tools may be required depending on your method of installation.

PARTS

CAUTION: Check the unit for shipping damage before you begin the installation.

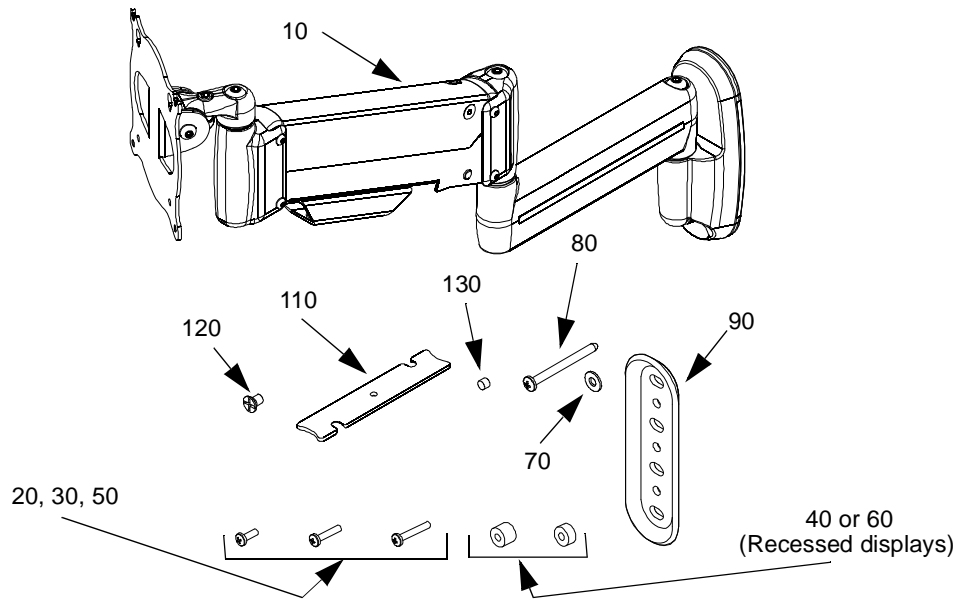


Figure 1: KWE Parts

PART	PART NAME	QTY	NOTES
10	Arm, Dual, Height-Adjustable	1	
20	SCREW, Phillips Pan Head, M4 x 12 MM	4	Flush Mount
30	SCREW, Phillips Pan Head, M4 x 20 MM (use with 40) *	4	Recessed Mount
40	SPACER, 3/8" (M4 ID)	4	
50	SCREW, Phillips Pan Head, M4 x 60 MM (use with 60) **	4	
60	SPACER, 3/4" (M4 ID)	4	
70	WASHER, Flat #10	2	
80	SCREW, Self-Tapping, Phillips, #10 x 20mm	2	
90	BRACKET, Wall	1	
100	NOT USED	1	
110	CABLE COVER, STATIC ARM		
120	SCREW, Cover Mounting, Phillips Flat Head, #8 x 5mm	2	
130	SCREW, Set 1/4-20, 5/32" Allen Wrench (not shown)	1	

*Use M4 x 20mm screws (30) with spacers (40) for recessed applications.

**Use M4 x 30mm screws (50) with spacers (60) for recessed applications.

INSTALLATION

Wall Bracket Installation

1. Determine the exact mounting location prior to installation, considering screen size as well as the mount swing radius and extension.
2. Using the wall bracket (90) as a template, mark and drill two 3/32" pilot holes to a minimum depth of 1 1/2" into wall stud.
3. Check wall bracket to ensure it is level and adjust to level if necessary.
4. Use two #10 x 20mm self-tapping screws (80) and two #10 washers (70) to secure the wall bracket (90).

Secure Mount to Wall Bracket

To secure the KWE-110 to wall bracket:

1. Tilt top of wall plate towards wall and align over top of wall bracket (90). (see figure 3)
2. Lower top of wall plate down on to top of wall bracket (90) until recessed area on rear of wall plate is seated on top of wall bracket (90). (see figure 3)
3. Move bottom of wall plate forward until covering wall bracket (90) and resting on wall.
4. Tighten 1/4-20 set-screw with a 5/32" allen wrench to secure KWE-110 to wall bracket (90). (see figure 3)

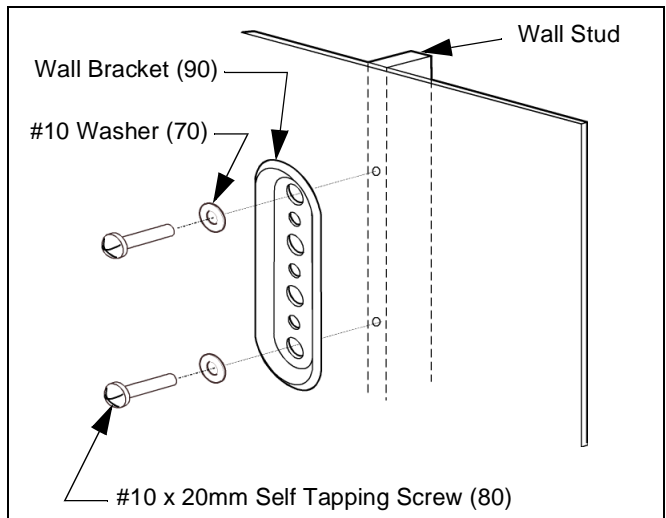


Figure 2: Install Wall Bracket

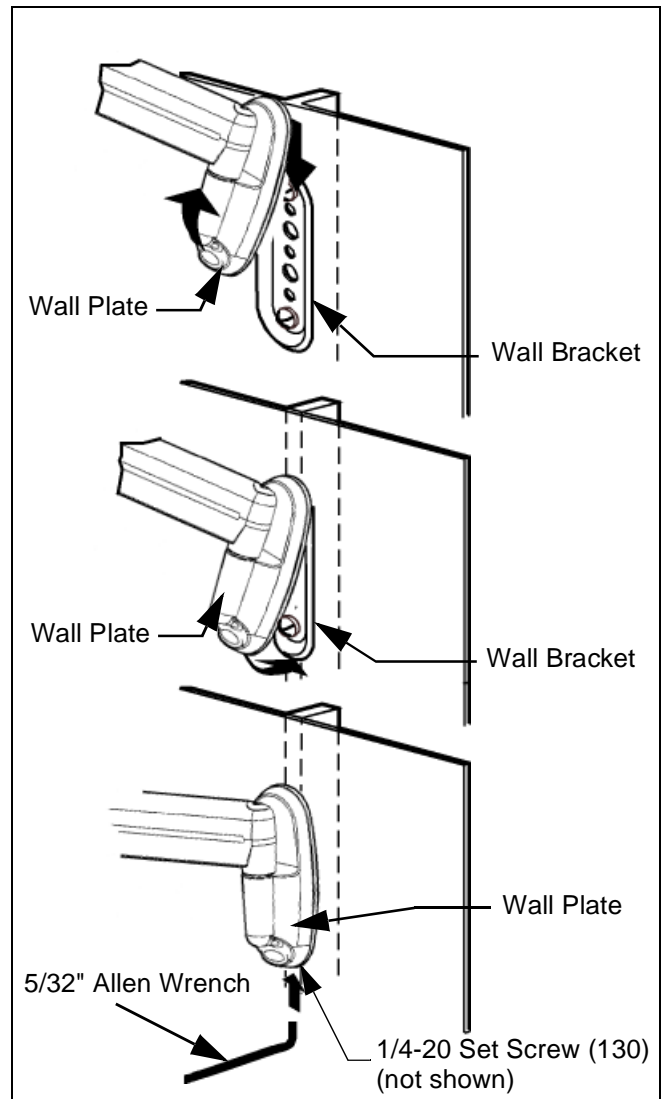


Figure 3: Install KWE-110 on Wall Bracket

Display Mounting

There are two methods of mounting a display to the KWE-110.

- Flush VESA® mount.
- Recessed VESA® mount.

CAUTION: If display uses a screw size different from those included in the kit, DO NOT use the screws provided with the display. Using the wrong screws could result in damage to your monitor. ALWAYS use the hardware included in the kit when installing the mount and display.

Flush VESA Mount Installation

1. Place display face down on a clean dry surface.
2. Align mounting holes in faceplate with mounting holes in display back. (see figure 4)
3. Secure mount to display using four M4 x 12mm phillips pan head screws (20).
4. Install mount with display to wall bracket (90) following the instructions in the **Secure Mount to Wall Bracket** section.

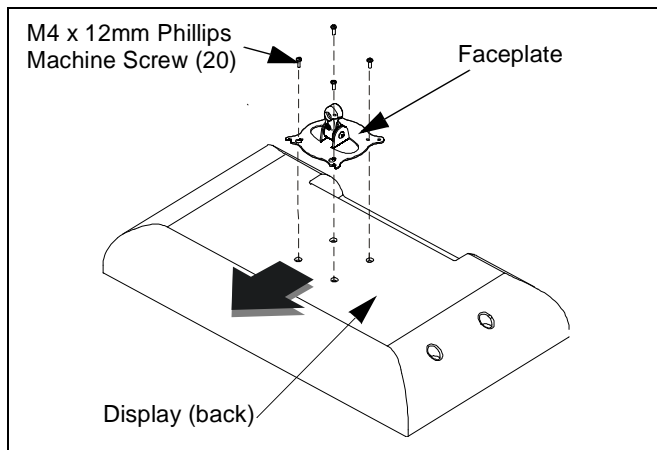


Figure 4: VESA® Flush Mount

Recessed VESA Mount Installation

The depth of the recessed area on the display varies depending upon the manufacturer. Use one of the following screw / spacer combinations depending upon the depth of the recess in display:

- (30 with 40)
- (50 with 60)

1. Place display face down on a clean dry surface.
2. Select four phillips pan head crews (30/50).
3. Select four spacers (40/60).
4. Set four spacers (40/60) over the four mounting holes

on back of display. (see figure 5)

5. Align mounting holes in faceplate with four spacers (40/60). (see figure 5)
6. Install four phillips pan head screws (30/50) through mounting holes in faceplate and spacers (40/60), and into mounting holes of display.
7. Tighten four phillips pan head screws (30/50).
8. Install mount with display to wall bracket following the instructions in the **Secure Mount to Wall Bracket** section.

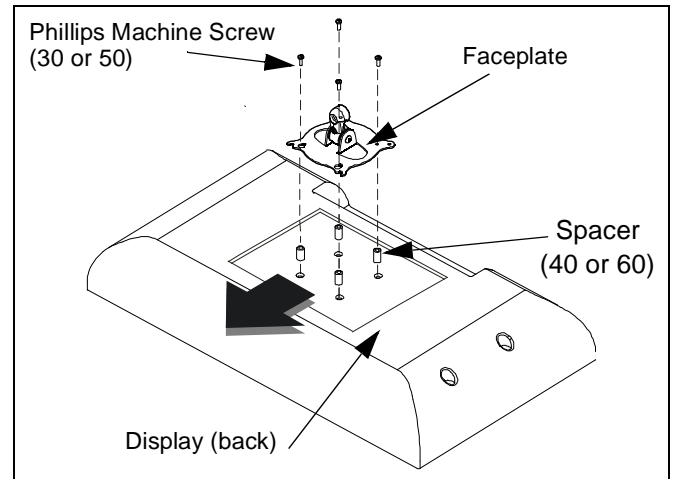


Figure 5: VESA® Recessed Mount

CABLE MANAGEMENT

1. Attach all cables to display.
2. Open the cable management bracket by sliding it towards the edge of the arm (see figure 6).

NOTE: If necessary, cable management bracket attach screws may be loosened using hex key.

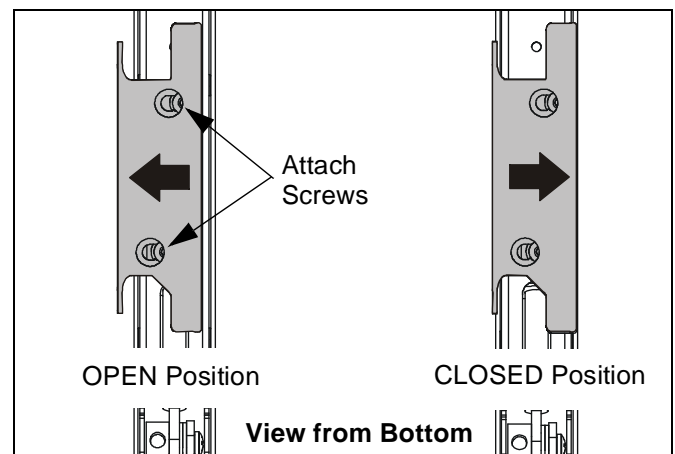


Figure 6: Height Adjustable Arm - Cable Management Bracket

CAUTION: Ensure that adequate cable slack exists for movement of display, and that cables will not be pinched when bracket is closed.

- Carefully insert cables into bracket (see figure 7).

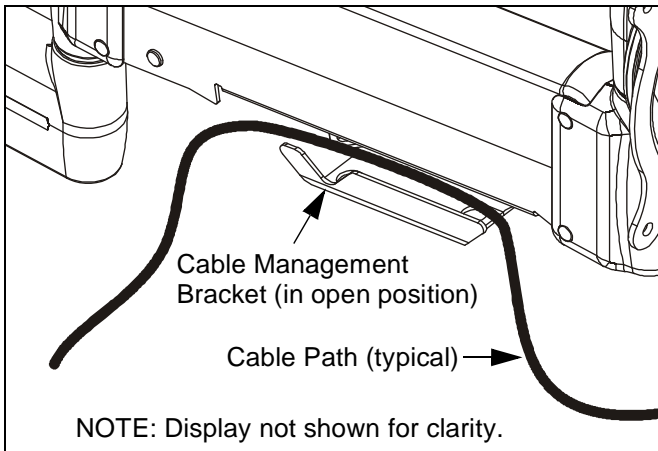


Figure 7: Height Adjustable Arm - Cable Path

- Close cable management bracket by sliding it back towards the centerline of the arm (see figure 6).

NOTE: If necessary, cable management bracket attach screws may be tightened using a 3/32" hex key.

CAUTION: Ensure that adequate cable slack exists for movement of display, and that cables will not be pinched by installation of cover (110) or screws (120).

- Carefully insert cables in cavity located in lower portion of mount arm (see figure 8).
- Using Phillips screwdriver, install cover (110) with two screws (120).

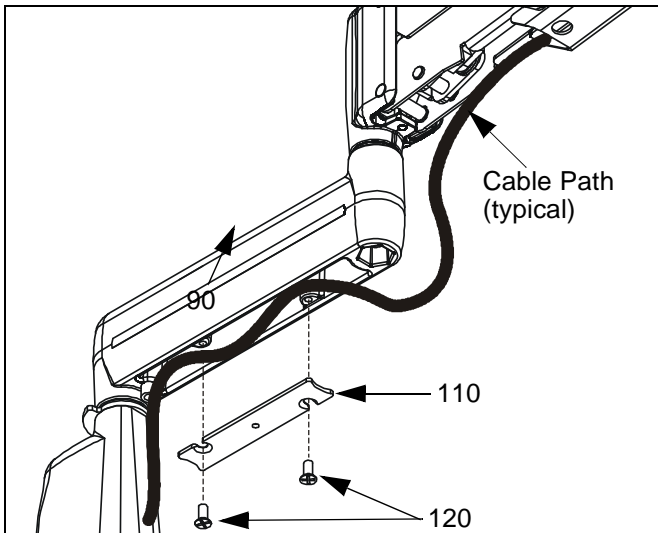


Figure 8: Static Arm - Cable Path

- Installation is complete.

ADJUSTMENTS

Spherical, Arm, and Lateral Movement Tension Adjustments

CAUTION: Over-tightening adjustment bolt will cause excessive wear and may distort adjustment components.

To adjust tension of spherical, arm, and lateral movement:

- Slightly tighten or loosen the appropriate tension adjustment screw using a 3/16" allen wrench. (see figure 9)
- Check for desired tension.
- Repeat procedure until desired tension is achieved.

Lift Arm Tension Adjustment

CAUTION: Over-tightening tension bolt will cause excessive wear and may distort adjustment components.

To adjust lift arm tension:

- Raise or lower the lift arm until tension adjustment screw appears in the opening. (see figure 9)
- Turn tension adjustment screw, using a 5/32" Allen wrench, as follows:
 - To increase lift arm tension, turn the tension adjustment bolt one to two turns counterclockwise.
 - To decrease lift arm tension, turn the tension adjustment bolt one to two turns clockwise.
- Raise or lower the lift arm to check for desired tension.
- Repeat procedure until desired tension is achieved.

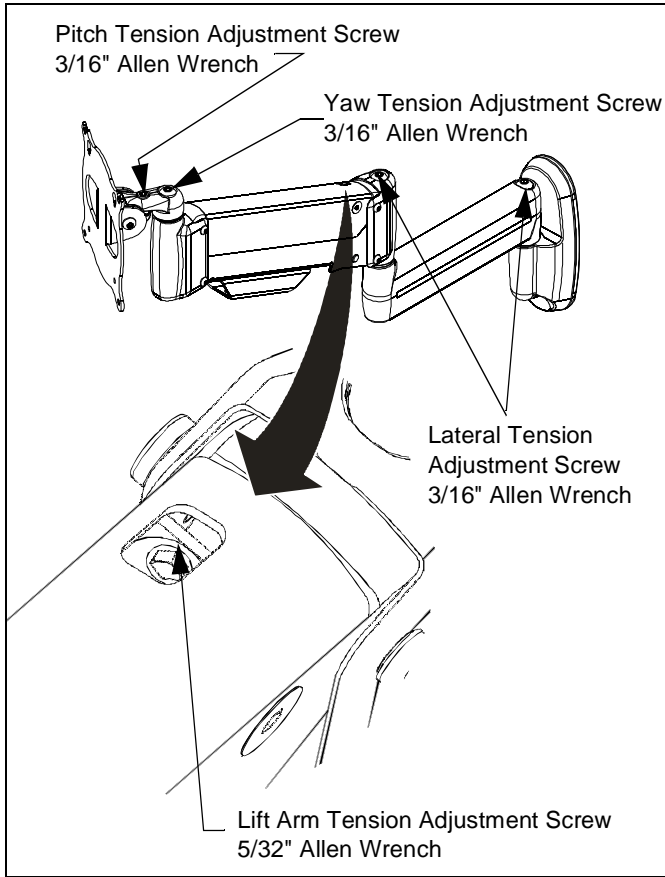


Figure 9: Tension Adjustments

