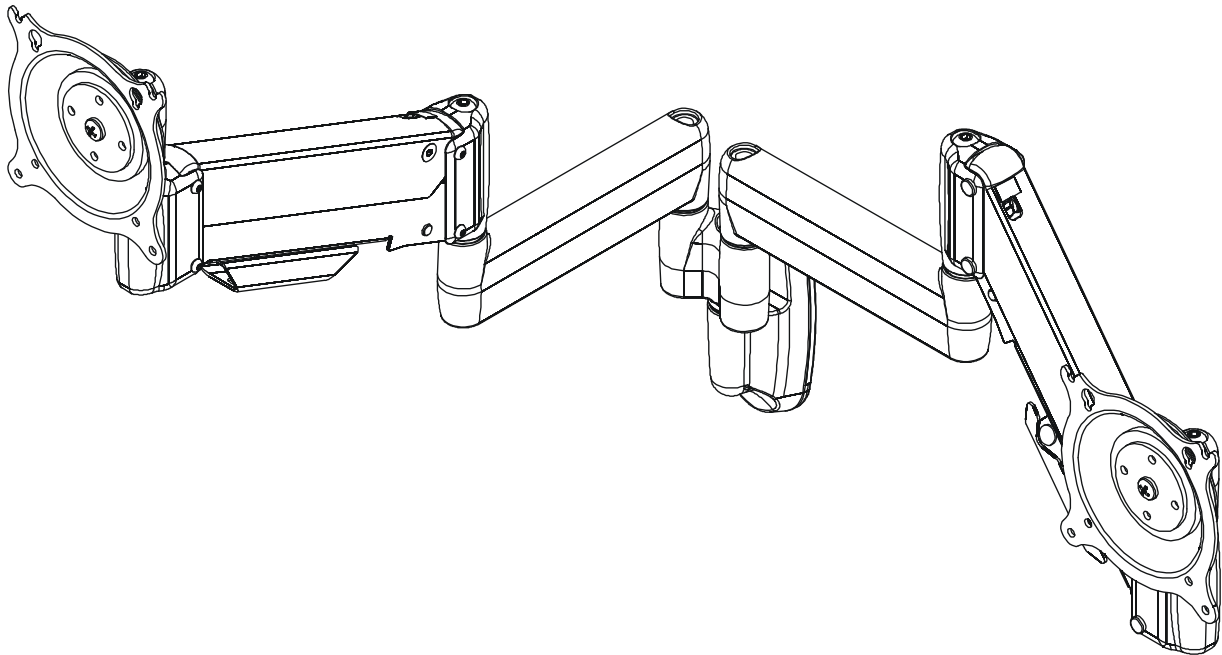

INSTALLATION INSTRUCTIONS



Dual Height-adjustable Wall Mount

DISCLAIMER

Milestone AV Technologies and its affiliated corporations and subsidiaries (collectively "Milestone"), intend to make this manual accurate and complete. However, Milestone makes no claim that the information contained herein covers all details, conditions or variations, nor does it provide for every possible contingency in connection with the installation or use of this product. The information contained in this document is subject to change without notice or obligation of any kind. Milestone makes no representation of warranty, expressed or implied, regarding the information contained herein. Milestone assumes no responsibility for accuracy, completeness or sufficiency of the information contained in this document.

Chief® and Centris™ are registered trademarks of Milestone AV Technologies. All rights reserved.

! IMPORTANT SAFETY INSTRUCTIONS!

! WARNING: A WARNING alerts you to the possibility of serious injury or death if you do not follow the instructions.

! CAUTION: A CAUTION alerts you to the possibility of damage or destruction of equipment if you do not follow the corresponding instructions.

! WARNING: Failure to read, thoroughly understand, and follow all instructions can result in serious personal injury, damage to equipment, or voiding of factory warranty! It is the installer's responsibility to make sure all components are properly assembled and installed using the instructions provided.

! WARNING: Failure to provide adequate structural strength for this component can result in serious personal injury or damage to equipment! It is the installer's responsibility to make sure the structure to which this component is attached can support five times the combined weight of all equipment. Reinforce the structure as required before installing the component. The wall to which the mount is being attached may have a maximum drywall thickness of 5/8" (1.6cm).

! WARNING: Exceeding the weight capacity can result in serious personal injury or damage to equipment! It is the installer's responsibility to make sure the combined weight of all components located between the supporting structure and mount does not exceed 40 lbs (18.14 kg).

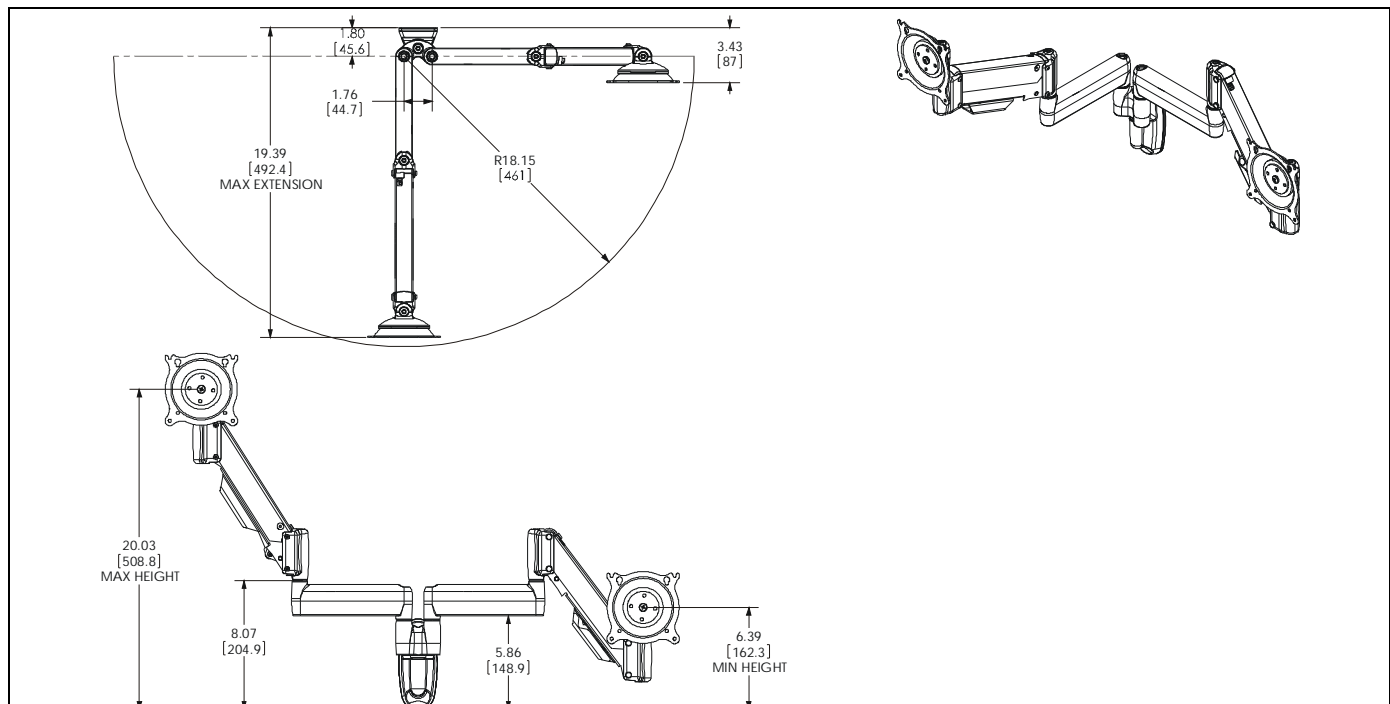
! WARNING: Use this mounting system only for its intended use as described in these instructions. Do not use attachments not recommended by the manufacturer.

! WARNING: Never operate this mounting system if it is damaged. Return the mounting system to a service center for examination and repair.

! WARNING: Do not use this product outdoors.

--SAVE THESE INSTRUCTIONS--

DIMENSIONS

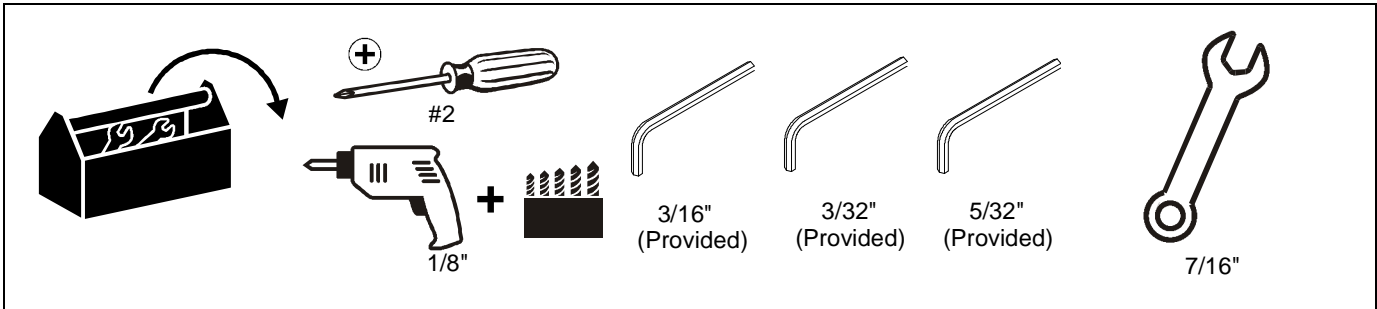


LEGEND

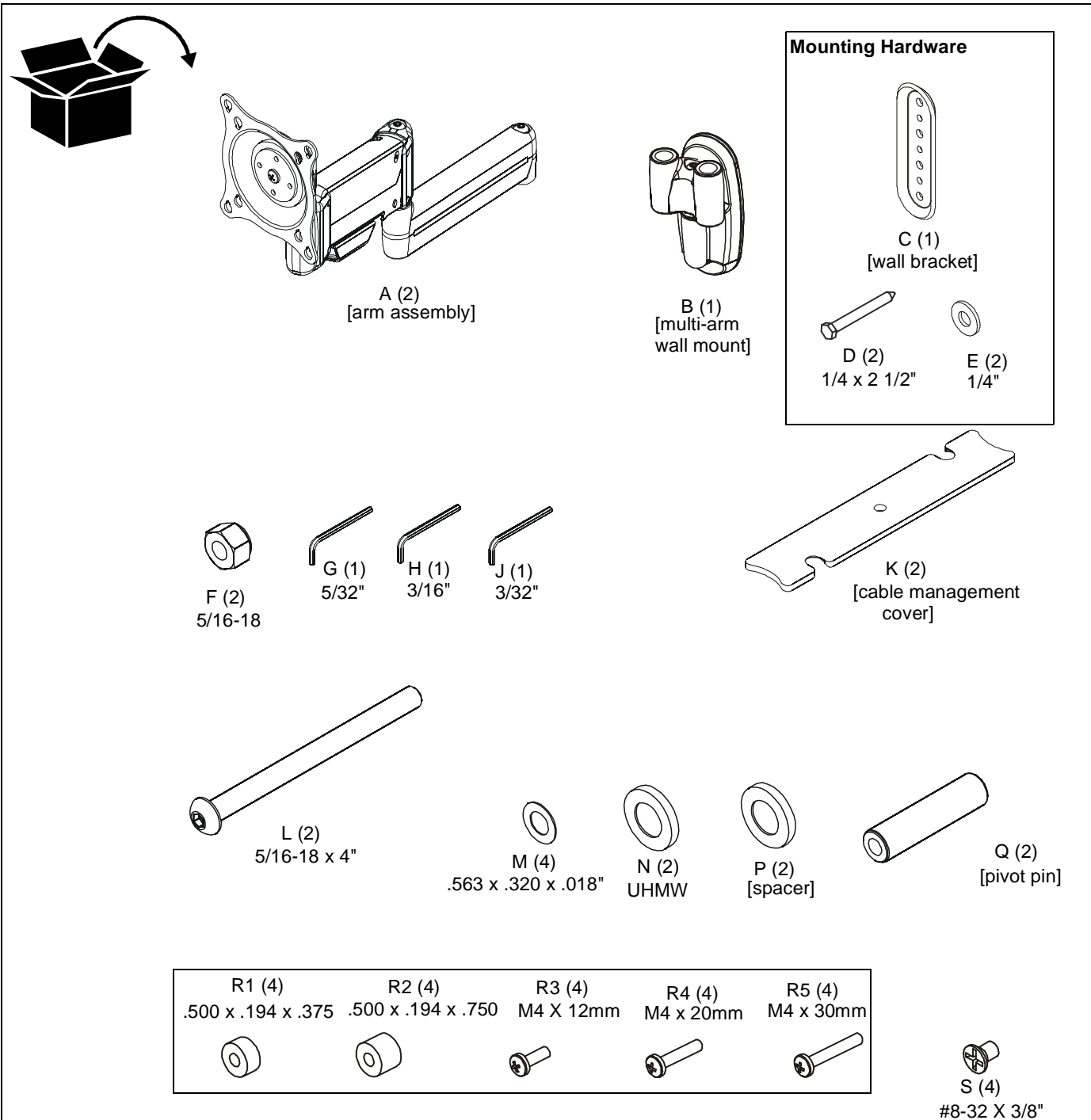
	Tighten Fastener
	Apretar elemento de fijación
	Befestigungsteil festziehen
	Apertar fixador
	Serrare il fissaggio
	Bevestiging vastdraaien
Serrez les fixations	
	Loosen Fastener
	Aflojar elemento de fijación
	Befestigungsteil lösen
	Desapertar fixador
	Allentare il fissaggio
	Bevestiging losdraaien
Desserrez les fixations	
	Phillips Screwdriver
	Destornillador Phillips
	Kreuzschlitzschraubendreher
	Chave de fendas Phillips
	Cacciavite a stella
	Kruiskopschroevendraaier
Tournevis à pointe cruciforme	
	Open-Ended Wrench
	Llave de boca
	Gabelschlüssel
	Chave de bocas
	Chiave a punte aperte
	Steeksleutel
Clé à fourche	
	By Hand
	A mano
	Von Hand
	Com a mão
	A mano
	Met de hand
À la main	
	Hex-Head Wrench
	Llave de cabeza hexagonal
	Sechskantschlüssel
	Chave de cabeça sextavada
	Chiave esagonale
	Zeskantsleutel
Clé à tête hexagonale	

	Pencil Mark
	Marcar con lápiz
	Stiftmarkierung
	Marcar com lápis
	Segno a matita
	Potloodmerkteken
Marquage au crayon	
	Drill Hole
	Perforar
	Bohrloch
	Fazer furo
	Praticare un foro
	Gat boren
Percez un trou	
	Adjust
	Ajustar
	Einstellen
	Ajustar
	Regolare
	Afstellen
Ajuster	
	Remove
	Quitar
	Entfernen
	Remover
	Rimuovere
	Verwijderen
Retirez	
	Optional
	Opcional
	Optional
	Opcional
	Opzionale
	Optie
En option	
	Security Wrench
	Llave de seguridad
	Sicherheitsschlüssel
	Chave de segurança
	Chiave di sicurezza
	Veiligheidssleutel
Clé de sécurité	

TOOLS REQUIRED FOR INSTALLATION



PARTS



MOUNT INSTALLATION

INSTALLATION TO WALL

1. Determine location for mount keeping in mind display size, extension, height adjustment (if applicable), and pitch/roll requirements. Bracket **MUST** be installed into wood stud.
2. Using wall bracket (C) as a template, drill two 1/8" pilot holes through top and bottom holes of wall bracket (C) into wall structure. (See Figure 1)

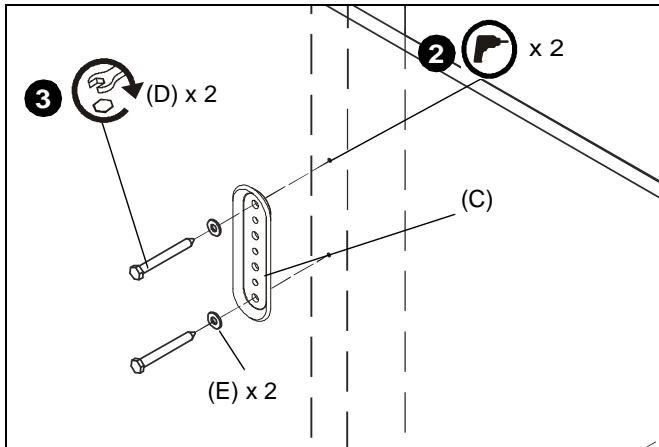


Figure 1

3. Using Phillips screwdriver, install two 1/4" x 2 1/2" hex head lag screws (D) through 1/4" washers (E), wall bracket (C) and drywall into wood stud. Ensure bracket (C) is vertical, then tighten screws (D). (See Figure 1)

IMPORTANT ! : Overtightening screws (D) may cause bracket (C) to compress into soft wall surface, resulting in difficult mount installation or improper engaging of set screw in step 6.

IMPORTANT ! : IF you will be installing a SINGLE display with RECESSED mounting holes, then proceed to "DISPLAY INSTALLATION" *before continuing* with this mount installation procedure.

4. Insert top of multi-arm mount (B) over lip on top of wall bracket (C). (See Figure 2)
5. Swing mount (B) down flush against wall.

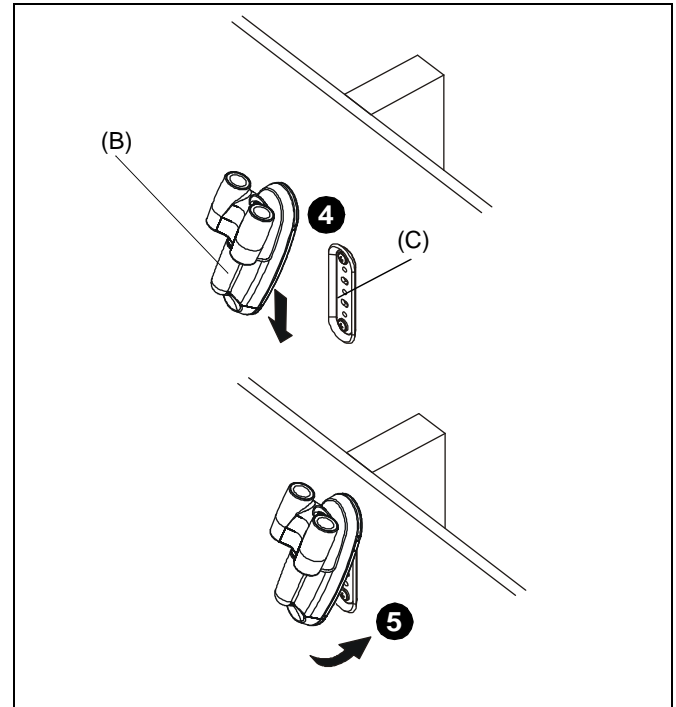


Figure 2

6. Tighten set screw using 5/32" hex key. Ensure set screw engages *back* side of bracket (C) to properly secure mount. (See Figure 3)

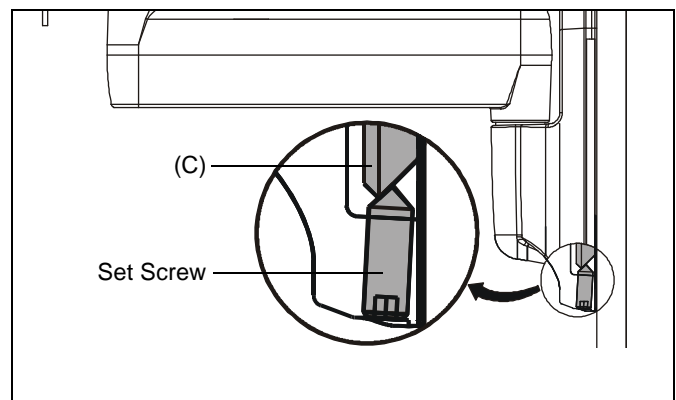


Figure 3

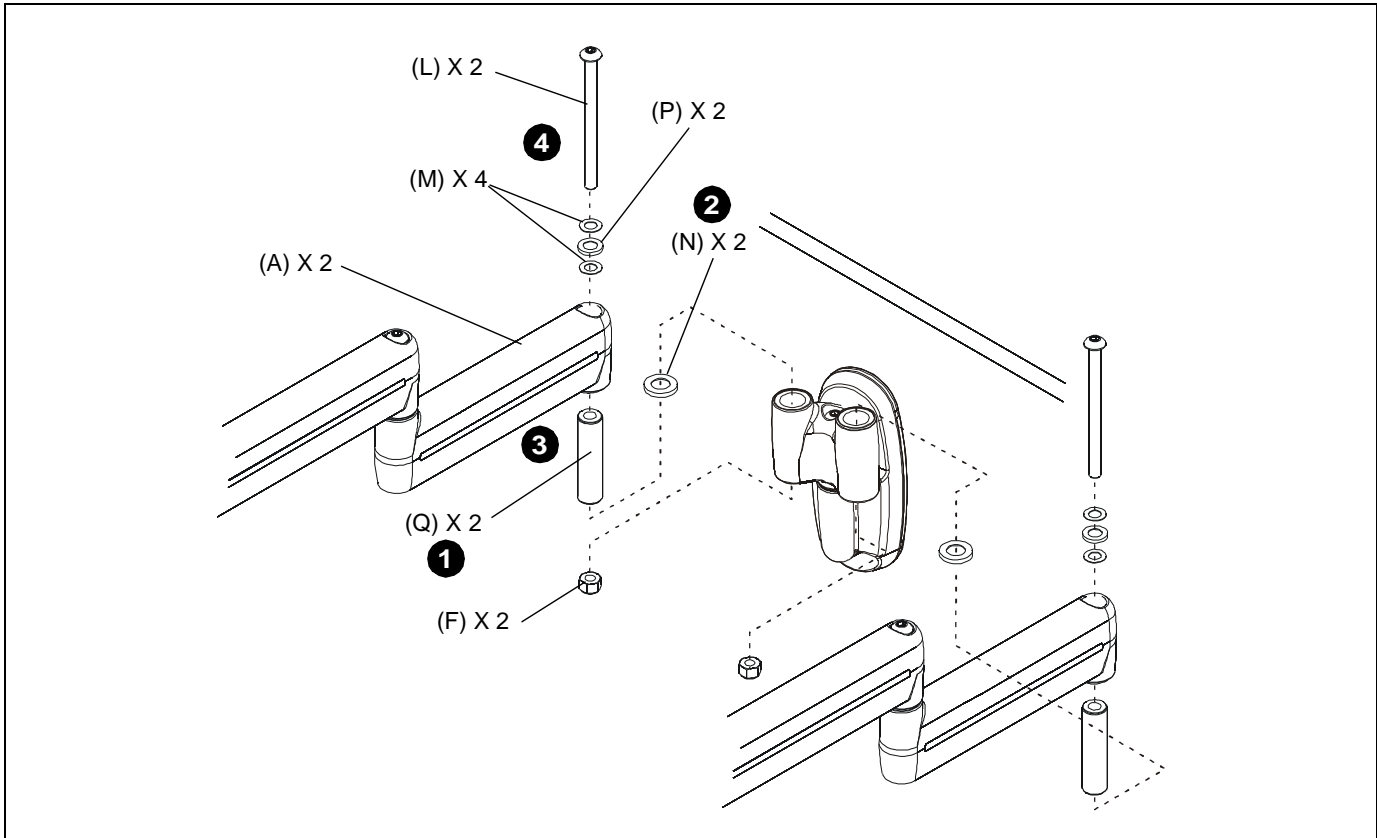


Figure 4

INSTALLATION

WARNING: FAILURE TO PROVIDE ADEQUATE STRUCTURAL STRENGTH FOR THIS COMPONENT CAN RESULT IN SERIOUS PERSONAL INJURY OR DAMAGE TO EQUIPMENT! It is the installer’s responsibility to make sure the structure to which this component is attached can support five times the combined weight of all equipment. Reinforce the structure as required before installing the component.

Swing Arm Installation

1. Insert pivot pin (Q) into Y-connector upper bore. (See Figure 4)
2. Install spacer (N). (See Figure 4)
3. Insert arm assembly (A) on pivot pin (Q). (See Figure 4)
4. While holding nut (F) in lower bore of Y-connector, insert 5/16-18 x 4" button head cap screw (L) through washers (M), UHMW washer (N), arm assembly (A), spacer (P) and Y-connector, into nut (F). (See Figure 4)
5. Loosely install screw (L) using 3/16" hex key (H). (See Figure 4)
6. Repeat Steps 1 through 5 for second mount arm assembly (A).

Display Installation

The mounting holes on the back of the display will be *flush with* the back surface, or *recessed into* the back. Refer to the applicable installation procedure below.

Flush Mount Display Installation

CAUTION: IMPROPER INSTALLATION CAN LEAD TO DISPLAY FALLING CAUSING SERIOUS PERSONAL INJURY OR DAMAGE TO EQUIPMENT! Using screws of improper size may damage your display! Proper screws will easily and completely thread into display mounting holes.

CAUTION: IMPROPER INSTALLATION CAN LEAD TO DISPLAY FALLING CAUSING SERIOUS PERSONAL INJURY OR DAMAGE TO EQUIPMENT! Inadequate thread engagement in display may cause display to fall! Back out screws **ONLY** as necessary to allow installation of Centris bracket!

1. Ensure Centris cup is able to swivel and tilt easily, yet still be tight enough to hold display in desired position. Adjust as required before proceeding. See "ADJUSTMENT" for detail.
2. Using Phillips screwdriver, carefully install two screws (R3) into the *upper* mounting holes on the display. Thread screws completely into display, then back out 3 complete turns. (See Figure 5)
3. Align two screws (R3) (installed on the back of the display in the previous step) with the two top teardrop mounting holes on the Centris cup. (See Figure 5)



CAUTION: IMPROPER INSTALLATION CAN LEAD TO DISPLAY FALLING CAUSING SERIOUS PERSONAL INJURY OR DAMAGE TO EQUIPMENT! Smaller area of teardrop mounting holes must be facing downward for proper installation. Reposition Centris cup if required.

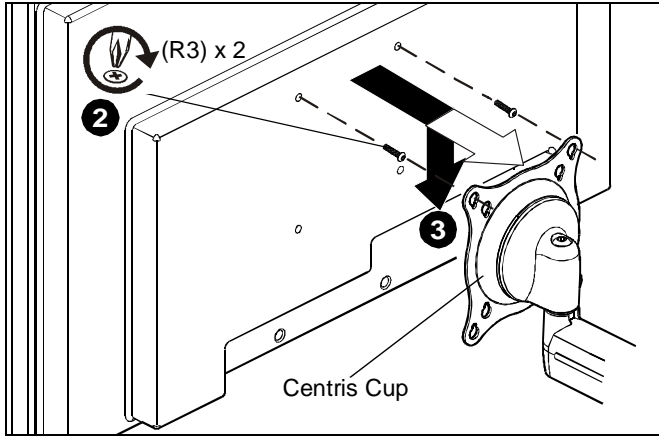


Figure 5

4. Using Phillips screwdriver, install two screws (R3) through the *lower* mounting holes in Centris cup into the display. (See Figure 6)
5. Tighten all screws (R3). Do not overtighten! (See Figure 6)

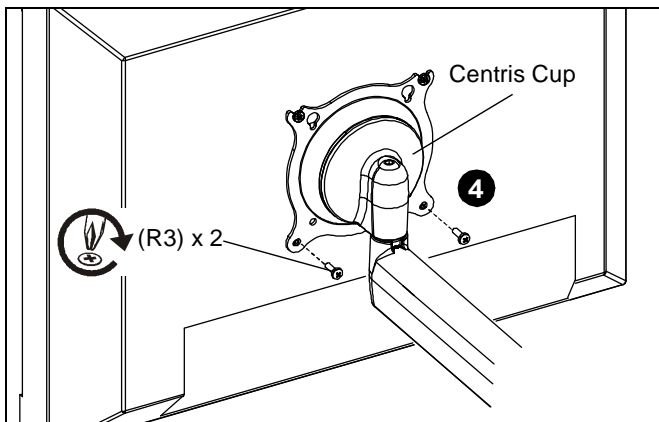


Figure 6

6. Repeat display installation procedures for second display.
7. Proceed to "CABLE MANAGEMENT."

Recessed Mount Display Installation

1. Ensure Centris bracket is able to swivel and tilt easily, yet still be tight enough to hold display in desired position. Adjust as required before proceeding. See "ADJUSTMENT" for detail.
2. Carefully place display face down on a clean and dry surface.
3. Determine depth of recessed mounting holes relative to back surface of display.
4. Select proper length spacer and screw from table below:

IMPORTANT ! : All spacers used should be the same length. If the recess depths result in multiple spacer lengths, then select the longer spacer.

IF recess DEPTH is:	THEN use spacer:	AND screw:
3/8" or less	R1 (3/8" long)	R4 (M4 x 20mm)
More than 3/8" up to and including 3/4"	R2 (3/4" long)	R5 (M4 x 30mm)

5. Place the four spacers (R1 or R2) over each mounting hole on the back of display. (See Figure 7)
6. Orient mount so that mounting holes in the Centris cup are aligned with the holes in the spacers (R1 or R2); rotate the Centris cup as required (See Figure 7).



CAUTION: IMPROPER INSTALLATION CAN LEAD TO DISPLAY FALLING CAUSING SERIOUS PERSONAL INJURY OR DAMAGE TO EQUIPMENT! Using screws of improper size may damage your display! Proper screws will easily and completely thread into display mounting holes.

7. Using Phillips screwdriver, install four screws (R4 or R5) through the mounting holes in Centris cup, through the spacers (R1 or R2), into display (See Figure 7).
8. Tighten all four screws. Do not overtighten!
9. Return to mount installation section to continue.
10. Repeat display installation procedure for second display.

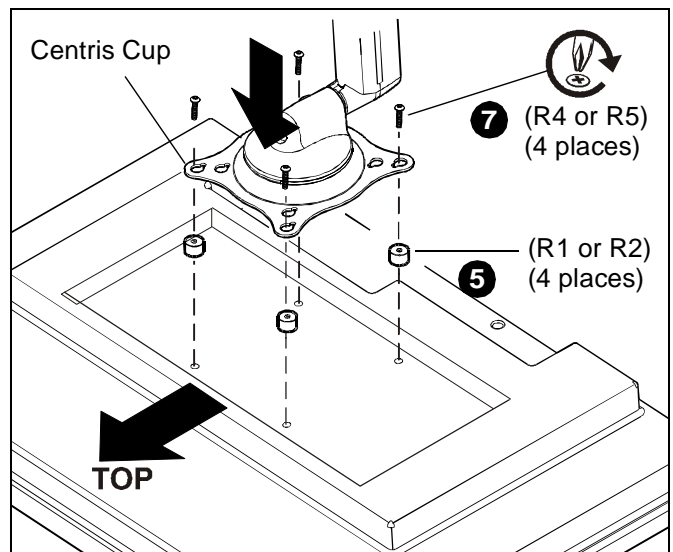


Figure 7

Cable Management

1. Attach all cables to display.
2. Open the cable management bracket by sliding it towards the edge of the arm (See Figure 8).

NOTE: If necessary, cable management bracket attach screws may be loosened using hex key.

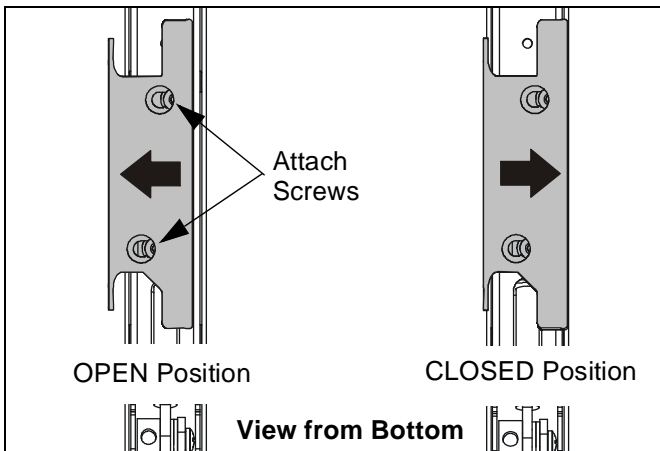


Figure 8



CAUTION: Ensure that adequate cable slack exists for movement of display, and that cables will not be pinched when bracket is closed.

3. Carefully insert cables into bracket (See Figure 9).

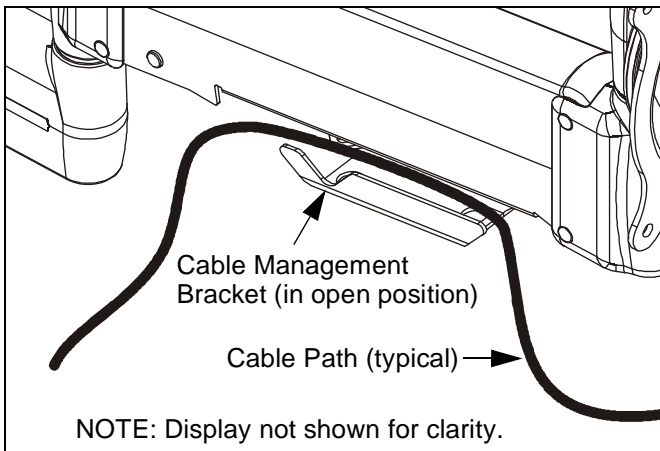


Figure 9

4. Close cable management bracket by sliding it back towards the centerline of the arm. (See Figure 9)

NOTE: If necessary, cable management bracket attach screws may be tightened using hex key.



CAUTION: Ensure that adequate cable slack exists for movement of display, and that cables will not be pinched by installation of cover (K) or screws (S).

5. Carefully insert cables in cavity located in lower portion of mount arm. (See Figure 10)
6. Using Phillips screwdriver, install cover (K) with two screws (S). (See Figure 10)

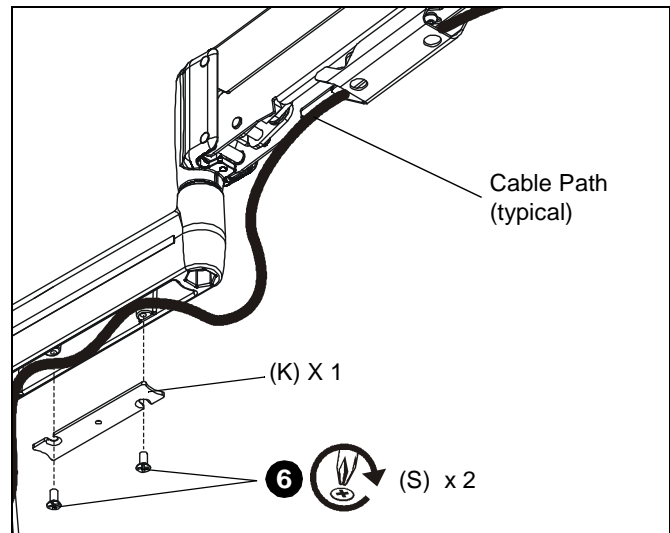


Figure 10

7. Repeat cable management procedures for second display.

Adjustments

Centris Head Tension Adjustment

1. If previously attached, disconnect cables from display, remove display.
2. Using Phillips screwdriver, slightly loosen or tighten the adjustment screw as necessary. (See Figure 11)

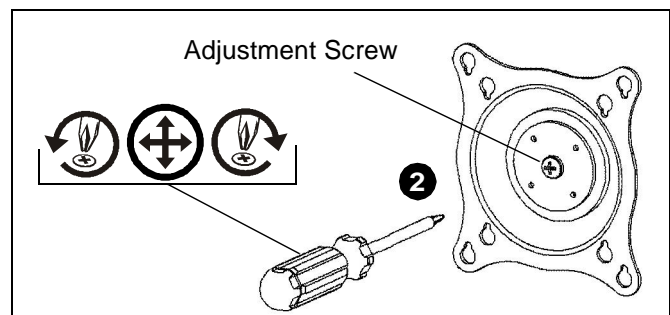
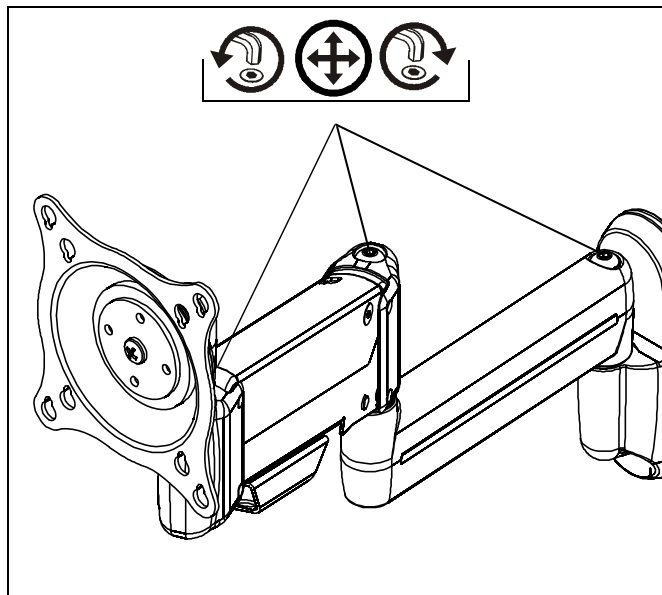


Figure 11

3. Reinstall display. See *Display Installation* in this document.

Swing Arm Tension Adjustment

1. Using 3/16" hex wrench (H), loosen or tighten adjustment screw(s) as necessary. (See Figure 12)

**Figure 12**



Our Mounts. **Your Vision.**

Chief Manufacturing, a products division
of Milestone AV Technologies

8800-002344 Rev00

©2013 Milestone AV Technologies, a
Duchossois Group Company

www.chiefmfg.com

04/13

USA/International	A 6436 City West Parkway, Eden Prairie, MN 55344
	P 800.582.6480 / 952.225.6000
	F 877.894.6918 / 952.894.6918
Europe	A Franklinstraat 14, 6003 DK Weert, Netherlands
	P +31 (0) 495 580 852
	F +31 (0) 495 580 845
Asia Pacific	A Office No. 1 on 12/F, Shatin Galleria 18-24 Shan Mei Street Fotan, Shatin, Hong Kong
	P 852 2145 4099
	F 852 2145 4477

