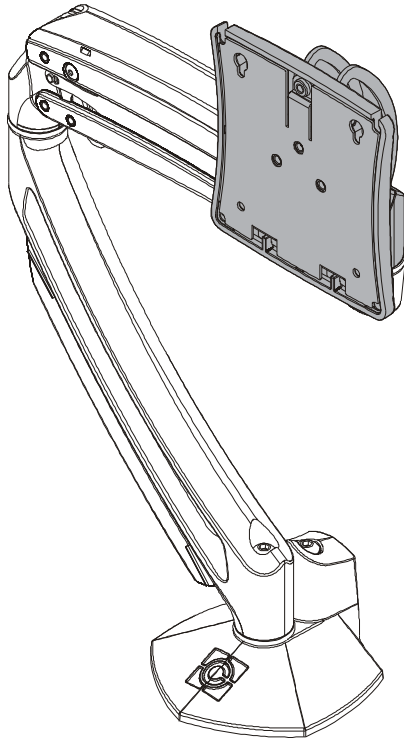

SERVICE MANUAL



Kontour™ Series Head Replacement Kit

Milestone AV Technologies and its affiliated corporations and subsidiaries (collectively "Milestone"), intend to make this manual accurate and complete. However, Milestone makes no claim that the information contained herein covers all details, conditions or variations, nor does it provide for every possible contingency in connection with the installation or use of this product. The information contained in this document is subject to change without notice or obligation of any kind. Milestone makes no representation of warranty, expressed or implied, regarding the information contained herein. Milestone assumes no responsibility for accuracy, completeness or sufficiency of the information contained in this document.

Chief® and Kontour™ are registered trademarks of Milestone AV Technologies. All rights reserved.

! IMPORTANT SAFETY INSTRUCTIONS!

! WARNING: A WARNING alerts you to the possibility of serious injury or death if you do not follow the instructions.

! CAUTION: A CAUTION alerts you to the possibility of damage or destruction of equipment if you do not follow the corresponding instructions.

! WARNING: Failure to read, thoroughly understand, and follow all instructions can result in serious personal injury,

damage to equipment, or voiding of factory warranty! It is the installer's responsibility to make sure all components are properly assembled and installed using the instructions provided.

! WARNING: Exceeding the weight capacity can result in serious personal injury or damage to equipment! It is the installer's responsibility to make sure the combined weight of all components located attached to the replacement tilt head accessory up to (and including) the display does not exceed the weight limit listed for the mount to which it is attached. Use with products heavier than the maximum weight indicated may result in collapse of the mount and its accessories causing possible injury.

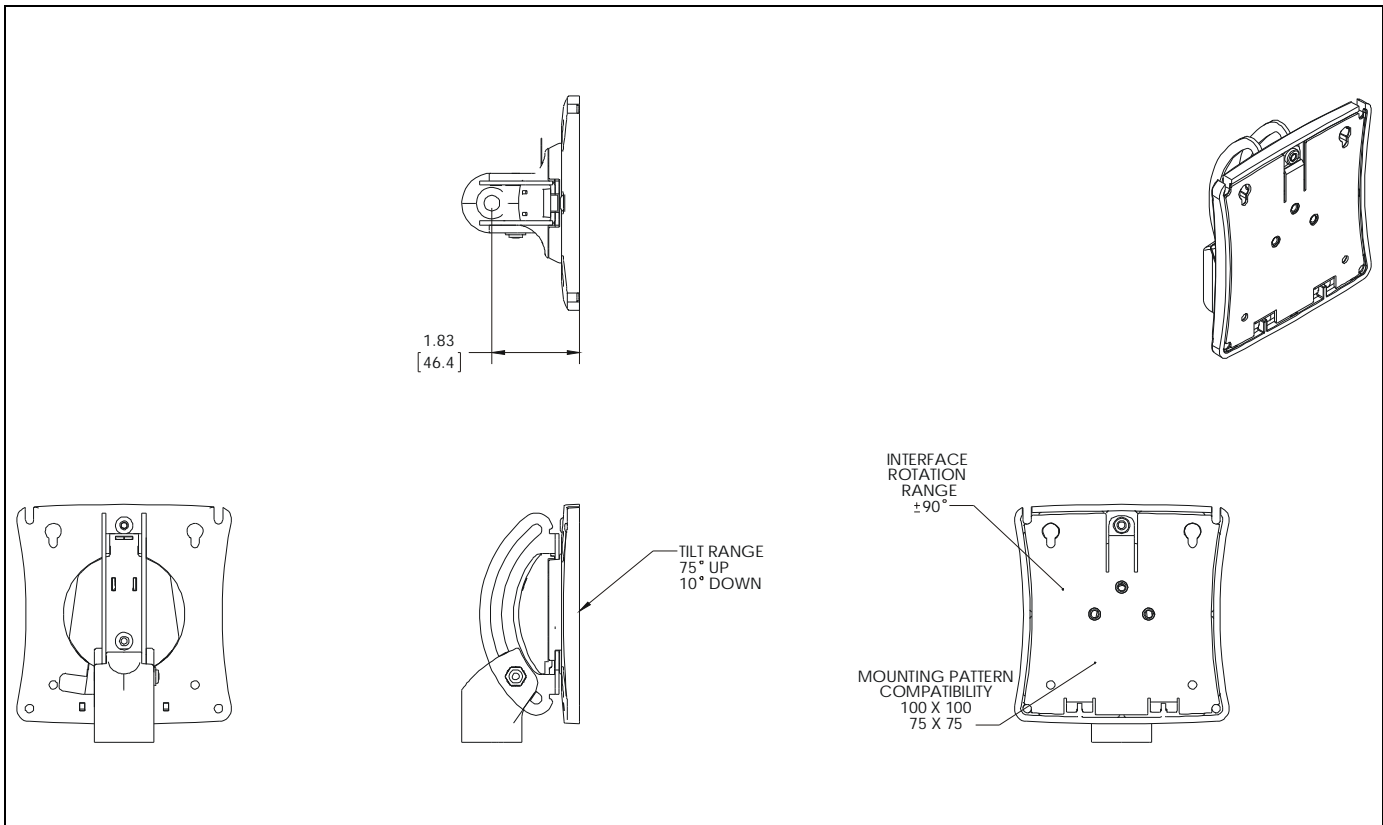
! WARNING: Use this mounting system only for its intended use as described in these instructions. Do not use attachments not recommended by the manufacturer.

! WARNING: Never operate this mounting system if it is damaged. Return the mounting system to a service center for examination and repair.

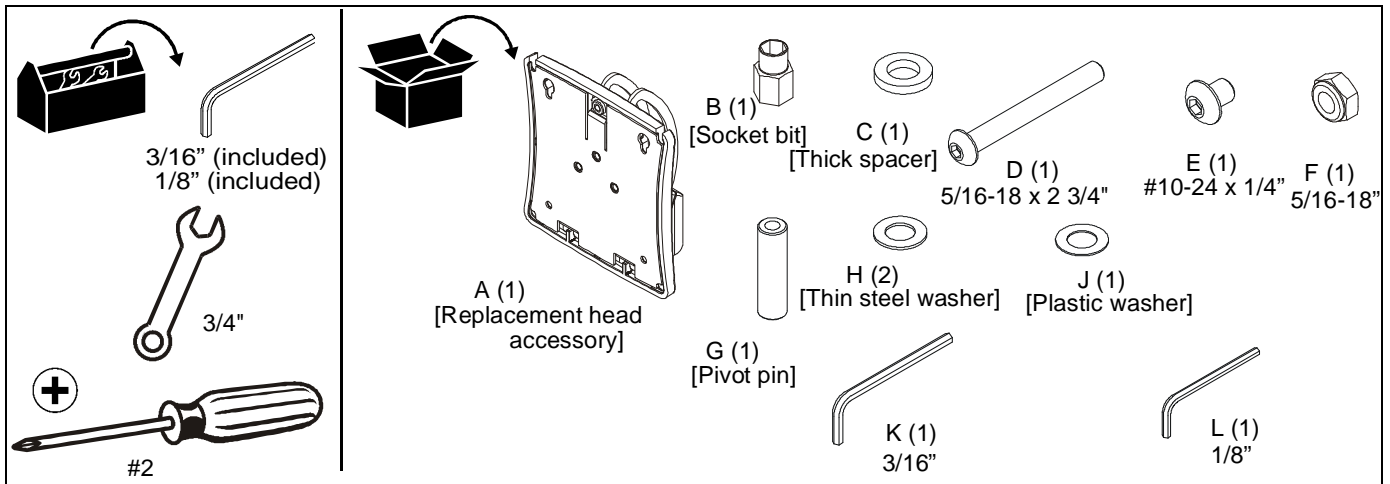
! WARNING: Do not use this product outdoors.

--SAVE THESE INSTRUCTIONS--

DIMENSIONS



TOOLS / PARTS FOR INSTALLATION



ASSEMBLY AND INSTALLATION

1. Remove display from K1 head assembly. Set aside hardware for reuse.
2. Remove button head cap screw, spacers and washers to disassemble head from K1 mounting arm. (See Figure 1)

NOTE: Set aside decorative ring and pivot ring for reuse.

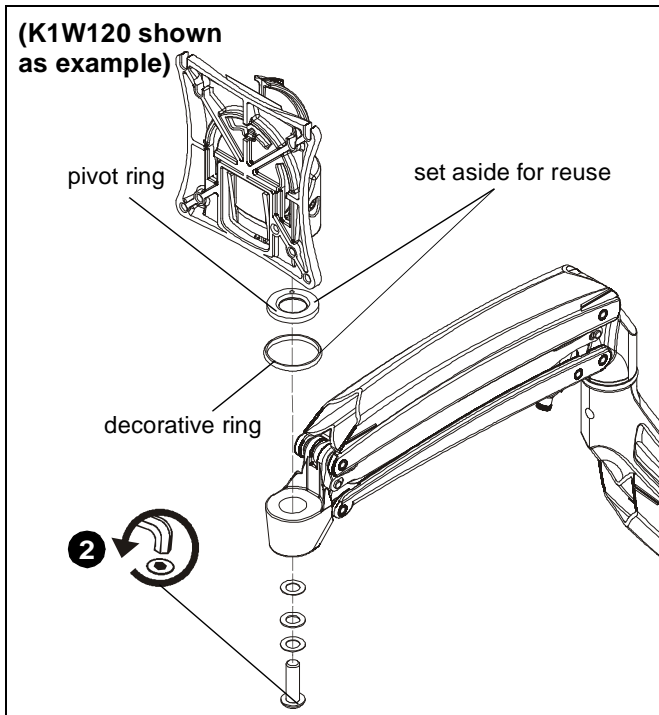


Figure 1

3. Use 5/16-18 x 2 3/4" button head cap screw (D), two thin steel washers (H), plastic washer (J), thick spacer (C), pivot pin (G), removed pivot ring, removed decorative ring, 5/16-18" lock nut (F) and socket bit (B) to secure replacement head assembly (A) to Kontour mount. (See Figure 2)

NOTE: Use 3/4" wrench to hold socket bit (B) in position while button head cap screw (D) is tightened.

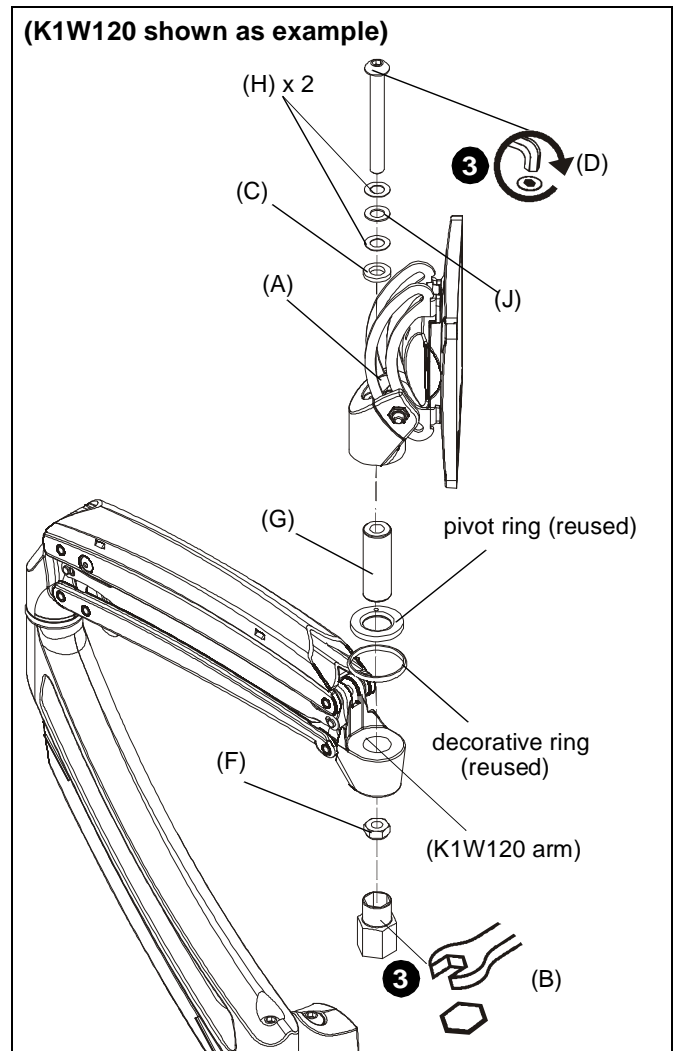


Figure 2

Display Installation

1. Remove quick release faceplate from mount by pulling quick release lever and sliding faceplate off mount. (See Figure 3)

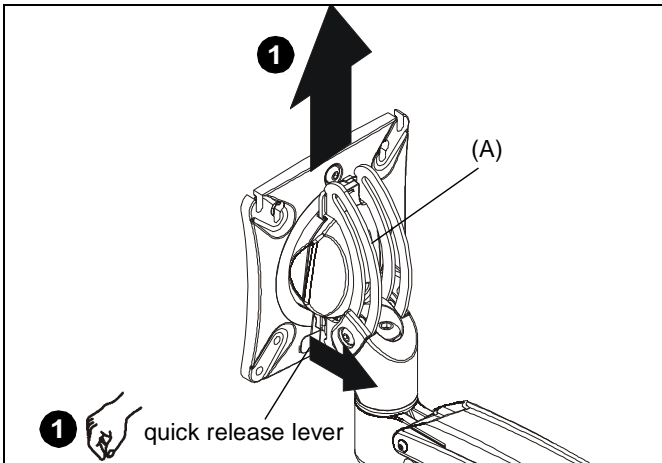


Figure 3

2. Carefully place display face down on protective surface.

NOTE: Use display mounting hardware included with K1 Series mount to attach display to new faceplate.

3. Connect faceplate to display

For flush mounting hole installation:

- Using Phillips screwdriver, carefully install four M4x14mm screws through corresponding holes on faceplate and into the mounting holes on the display. (See Figure 4)

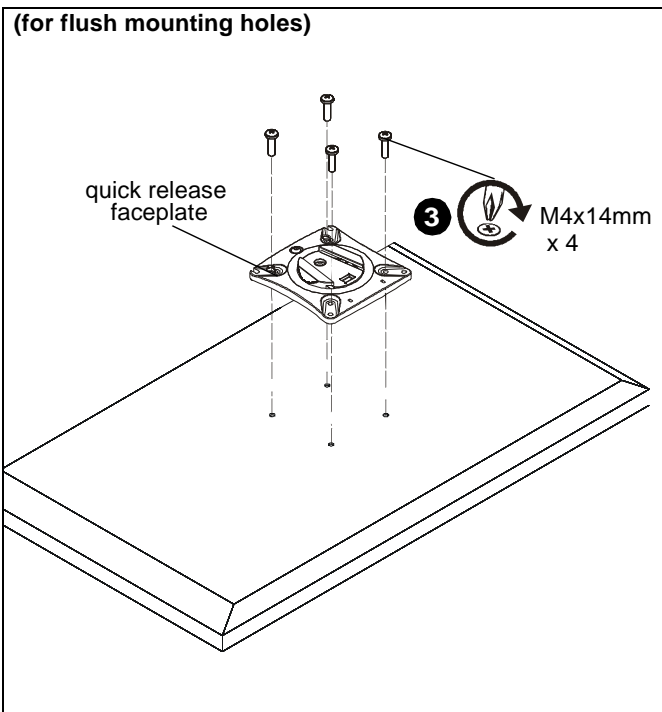


Figure 4

For recessed mounting hole installation:

- Place four spacers on top of mounting holes on back of display. (See Figure 5)
- Using Phillips screwdriver, carefully install four M4x25mm screws through corresponding holes on faceplate, spacers and into the mounting holes on the display. (See Figure 5)

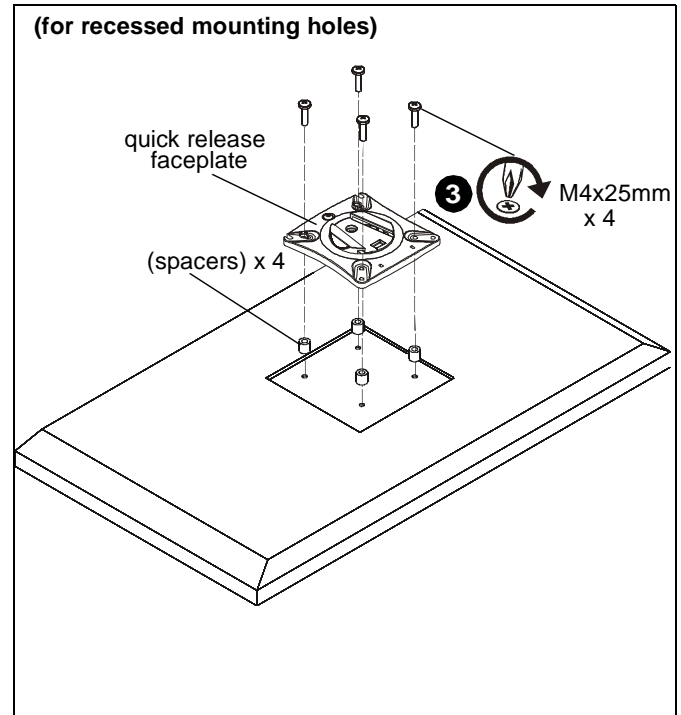


Figure 5

4. Position display with faceplate attached above mount. (See Figure 6)
5. Slide faceplate onto mounting head until quick release tab clicks into place. (See Figure 6)

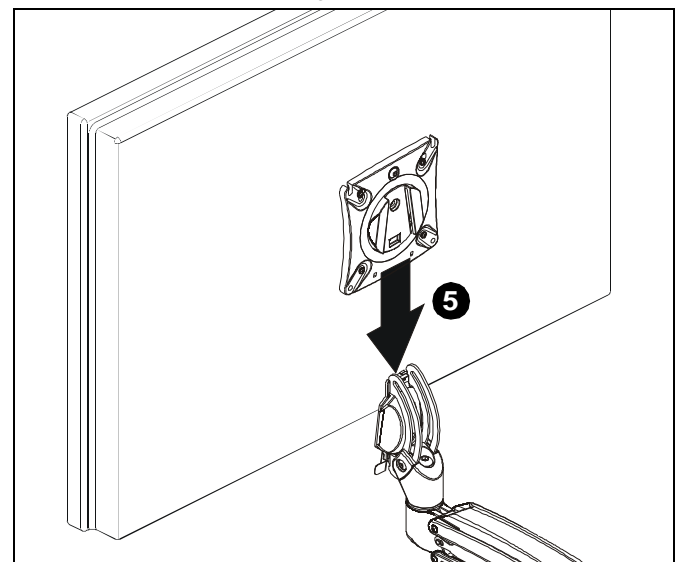


Figure 6

Adjustments

Pitch Adjustment

1. Adjust pitch to desired tilt position. (See Figure 7)
2. Adjust pitch tension screw to change the adjustment tension. (See Figure 7)

Pivot Adjustment

3. Adjust pivot position as desired. (See Figure 7)
4. Use 3/16" hex key (K) to adjust pivot point tension screws to change pivot adjustment tension. (See Figure 7)

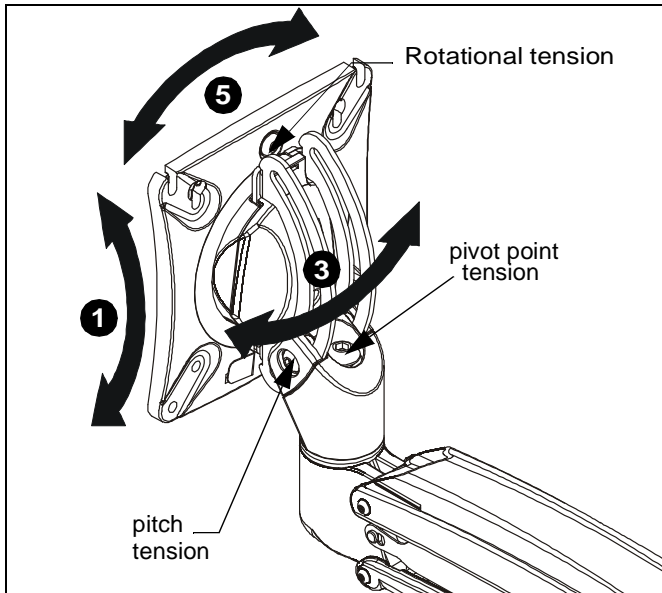


Figure 7

Rotational Adjustment

NOTE: (Optional) Rotational adjustment may be locked by installing rotational locking screw (E) into back of faceplate. (See Figure 8)

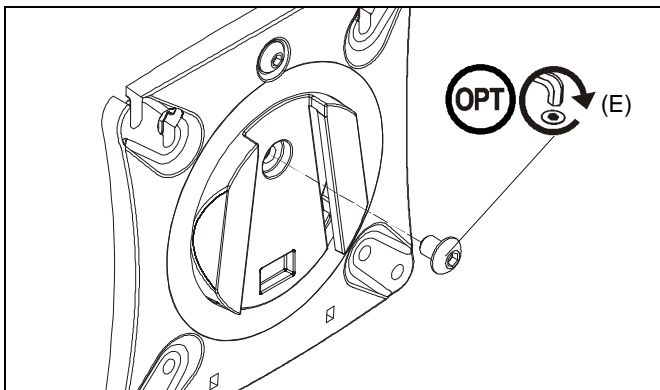


Figure 8

5. The monitor may be adjusted 90 degrees in either direction in order to provide a portrait view of the monitor. (See Figure 7)
6. Use 3/16" hex key (K) to adjust rotational adjustment screw to adjust rotational tension. (See Figure 7)

Display Removal



WARNING: Only remove display from mount when the display can be lifted up from the mount! **DO NOT** remove display unless the display is in the upright position! (See Figure 9)

1. Make sure display is in the upright position.
2. Remove quick release faceplate from mount by pulling quick release lever and sliding faceplate off mount. (See Figure 9)

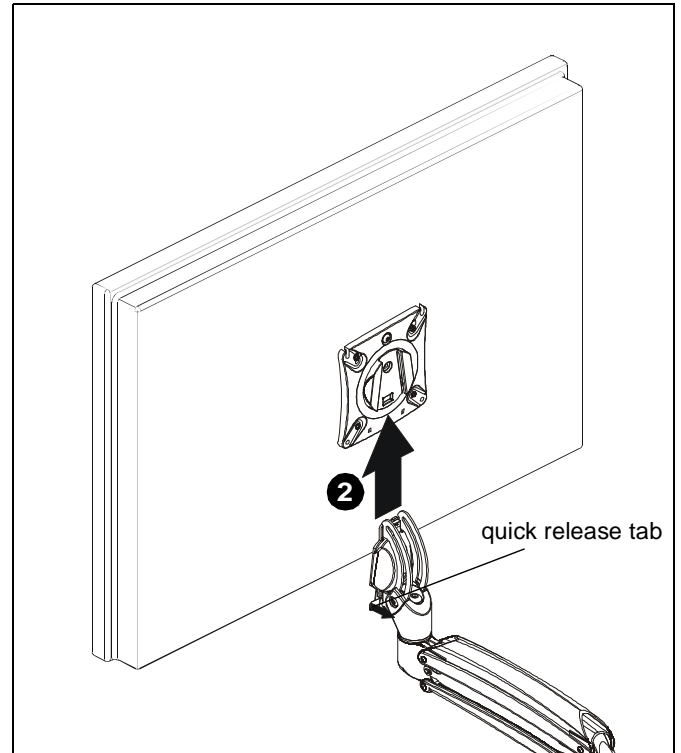


Figure 9



Our Mounts. **Your Vision.**

Chief, a products division of
Milestone AV Technologies

8800-002743 Rev00
©2015 Milestone AV Technologies
www.chiefmfg.com
05/15

USA/International	A 6436 City West Parkway, Eden Prairie, MN 55344 P 800.582.6480 / 952.225.6000 F 877.894.6918 / 952.894.6918
Europe	A Franklinstraat 14, 6003 DK Weert, Netherlands P +31 (0) 495 580 852 F +31 (0) 495 580 845
Asia Pacific	A Office No. 918 on 9/F, Shatin Galleria 18-24 Shan Mei Street Fotan, Shatin, Hong Kong P 852 2145 4099 F 852 2145 4477

