

# INSTALLATION INSTRUCTIONS

## LCS-W1-12 / LCS-W1-20 / LCS-W1-28 / LCS-W1-36 Lacer Strips Kits




The LCS-W1-12/-20/-28/-36 Lacer Strips Kits are designed for use as cable management in Chief® Series NW1 racks.

### IMPORTANT SAFETY INSTRUCTIONS

**WARNING:** Failure to read, thoroughly understand, and follow all instructions can result in serious personal injury, damage to equipment, or voiding of factory warranty! It is the installer's responsibility to make sure all components are properly assembled and installed using the instructions provided.

### TOOLS FOR INSTALLATION / PARTS INCLUDED



	QUANTITIES			
	LCS-W1-12	LCS-W1-20	LCS-W1-28	LCS-W1-36
 A [Lacer strip] (Appearance varies per model)	1	1	1	1
 B [.61x.28x.50]	3	3	4	4
 C 1/4-20	3	3	4	4

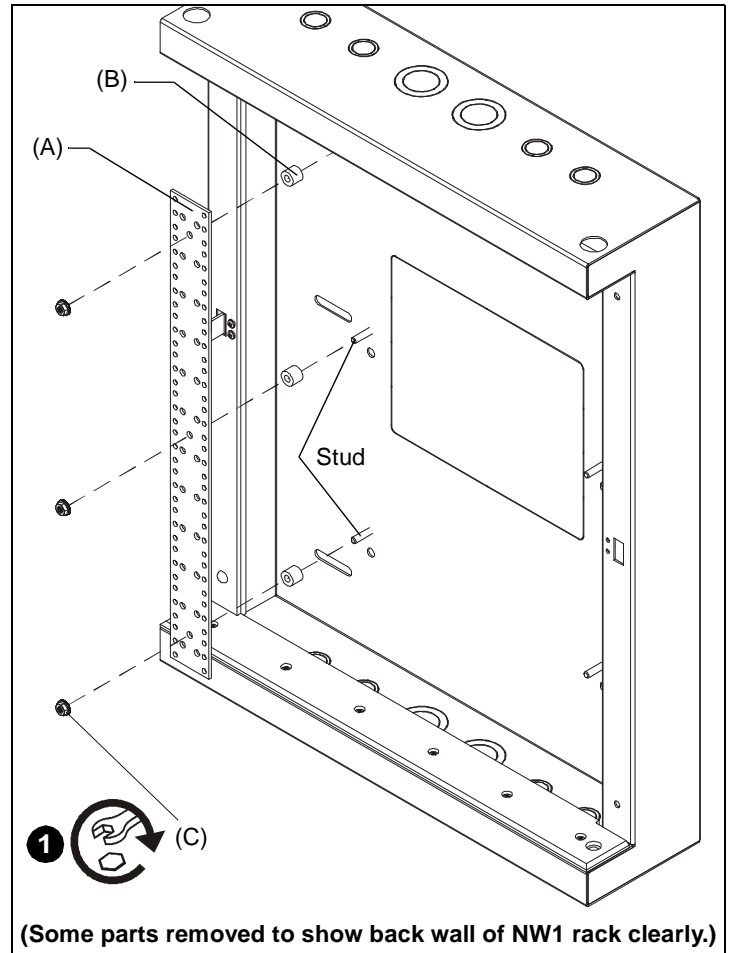


Figure 1

### INSTALLATION

**NOTE:** The lacer strip (A) may be placed on the studs on either the left or right side of back inside wall.

1. Place nylon spacers (B) over studs on back inside wall of NW1 rack. (See Figure 1)
2. Place lacer strip (A) over nylon spacers (B).
3. Fasten lacer strip in place using 1/4-20 nuts (C) over studs on back inside wall of NW1 rack.

Chief® is a registered trademark of Milestone AV Technologies. All rights reserved.



Milestone AV Technologies, and its affiliated corporations and subsidiaries (collectively, "Milestone"), intend to make this manual accurate and complete. However, Milestone makes no claim that the information contained herein covers all details, conditions or variations, nor does it provide for every possible contingency in connection with the installation or use of this product. The information contained in this document is subject to change without notice or obligation of any kind. Milestone makes no representation of warranty, expressed or implied, regarding the information contained herein. Milestone assumes no responsibility for accuracy, completeness or sufficiency of the information contained in this document.