

INSTALLATION INSTRUCTIONS

LS-135 SUPPORT BRACKET & MA-130 MIRROR ATTACHMENT

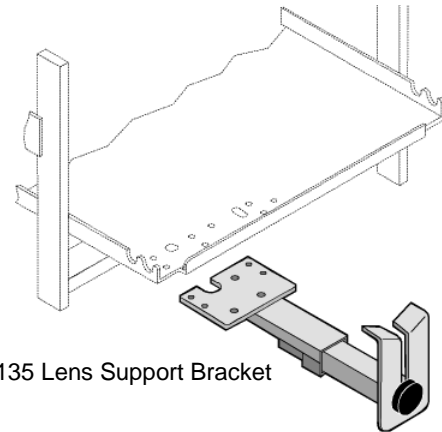
The LS-135 Lens Support Bracket is designed to be mounted on chief MSU/MSE/ASU/ASE-1000 series slide projector stands to support long focal length lenses up to 9 inches.

Features of the LS-135 include:

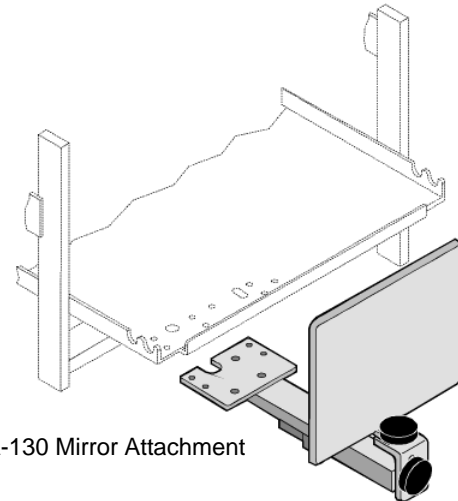
- Sliding adjustment of Support Arm length.
- Vertical adjustment of front lens support brackets
- Side storage capability

The LS-135 is also used to support the Chief MA-130 front surface mirror attachment. this attachment is suitable for front right angle projection with short lenses down to 2 inches.

NOTE: Lenses shorter than 2" produce images larger than the mirror can accommodate.



LS-135 Lens Support Bracket



MA-130 Mirror Attachment

REQUIRED TOOLS

- 3/8" wrench

LS-135 INSTALLATION

To install the LS-135 Lens Support:

NOTE: All 1000 series stands have two sets of LS-135 mounting holes in the cradle to accommodate various projectors. Inner set used for EKTAPRO, EK-111, EK-11, Simda, and Elmo. Outer set used for S-AV projectors.

1. Locate appropriate mounting holes in cradle.
2. Mount Slide Arm Assembly to Cradle using four 10-24 x 3/8" Button Head Cap Screws.

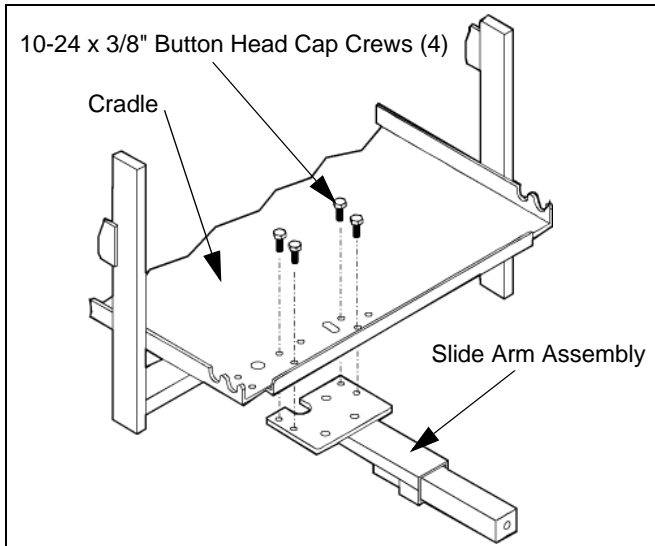


Figure 1: Install Slide Arm Assembly

3. Loosely mount Lens Support Bracket to Slide Arm Assembly using 10-24 Knob.

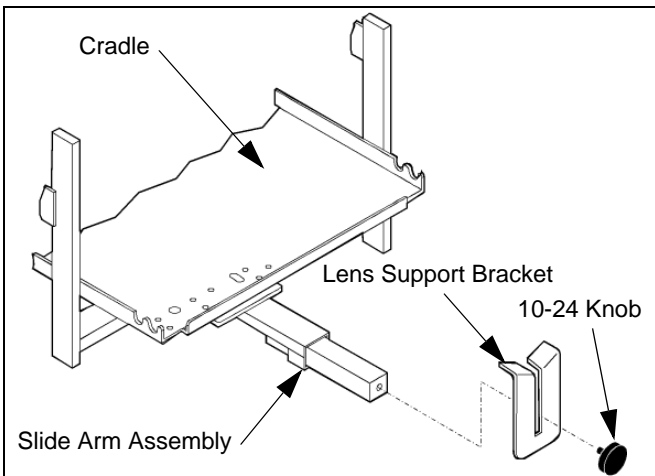


Figure 2: Install Lens Support Bracket

Lens Support Bracket Adjustment

1. Mount projector on cradle, insert lens, and focus image on screen.
2. Position Lens Support Bracket under Projector Lens by loosening Slide Arm Adjustment Knob (located underneath Slide Arm Assembly) and sliding Slide Arm Assembly towards or away from projector until properly positioned. (see Figure 3:)
3. Tighten Slide Arm Adjustment Knob
4. Position Lens Support Bracket by loosening the Support Bracket Adjustment Knob and sliding the Lens Support Bracket up or down until Projector Lens is resting on two nylon support buttons located on top of Lens Support Bracket.
5. Tighten Lens Support Bracket Adjustment Knob.

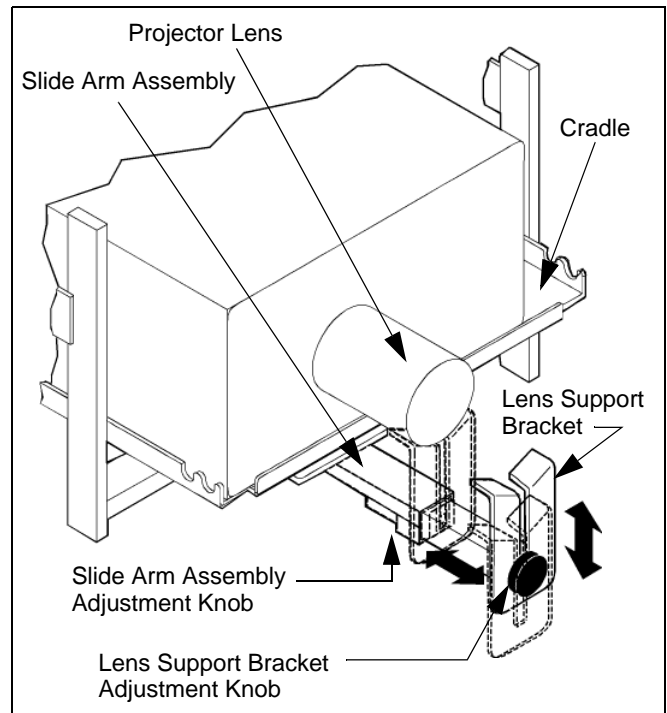


Figure 3: Lens Support Bracket Adjustment

MA-130 Mirror Attachment Installation

To install the MA-130 Mirror Attachment:

1. Loosen Lens Support Bracket Adjustment Knob and remove Lens Support Bracket from Slide Arm Assembly. (see Figure 4:) Store Lens Support Bracket for later use.

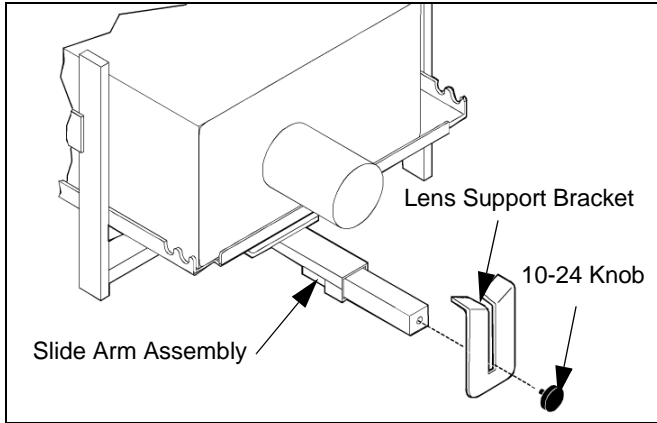


Figure 4: Remove Lens Support Bracket

2. Attach Front Slide Bracket to Slide Arm Assembly using Adjustment Knob. (see Figure 5:)

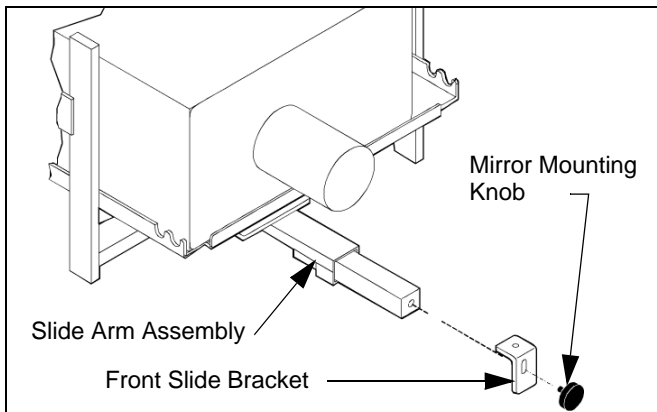


Figure 5: Install MA-130 Mirror Attachment

3. Mount Mirror to Front Slide Bracket using Mirror Mounting Knob. (see Figure 6:)

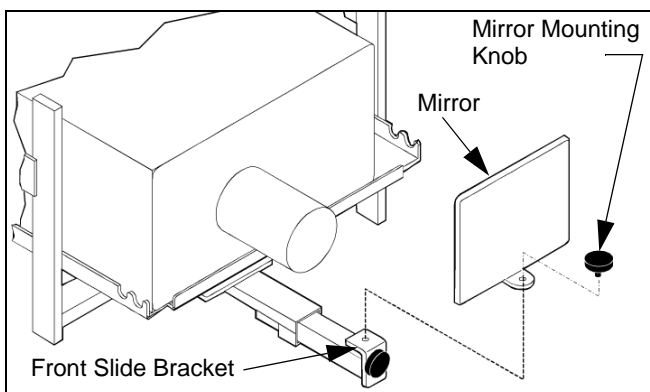


Figure 6: Install Mirror

Mirror Adjustment

1. Loosen Slide Arm Adjustment Knob (located underneath Slide Arm Assembly) and sliding Slide Arm Assembly towards or away from projector until Mirror surface is close to, but not touching, Projector Lens Barrel. (see Figure 7:)
2. Tighten Slide Arm Adjustment Knob

NOTE: The image will be reversed once for each Mirror used in the projection path, and again if a rear projection screen is used. If the MA-130 is used without other mirrors for a front projection screen, the slides should be reversed in the tray. If a rear projection screen is used this is not necessary.

NOTE: When using the MA-130 for right angle projection, the ROLL and PITCH controls of the stand are reversed, but the YAW remains the same. Continued practice will help develop the technique required for alignment of right angle images.

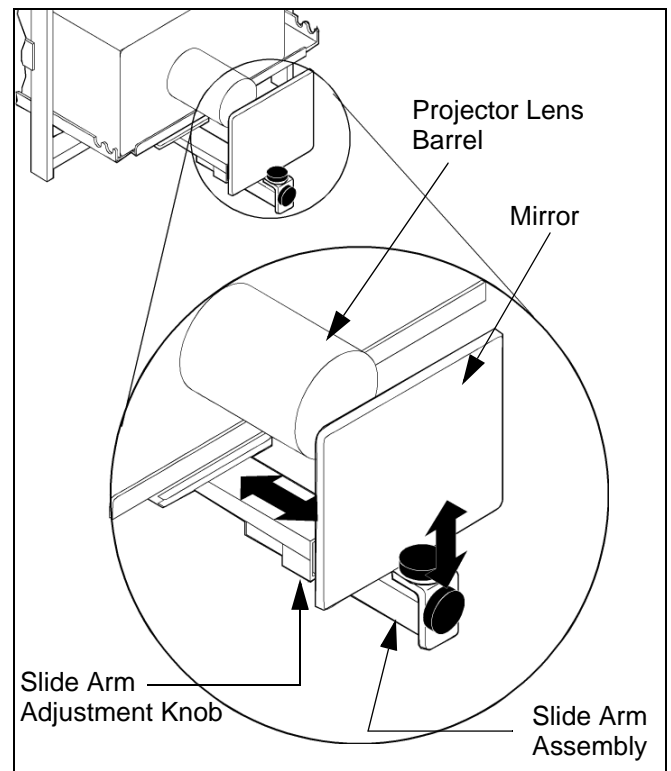


Figure 7: Mirror Adjustment

