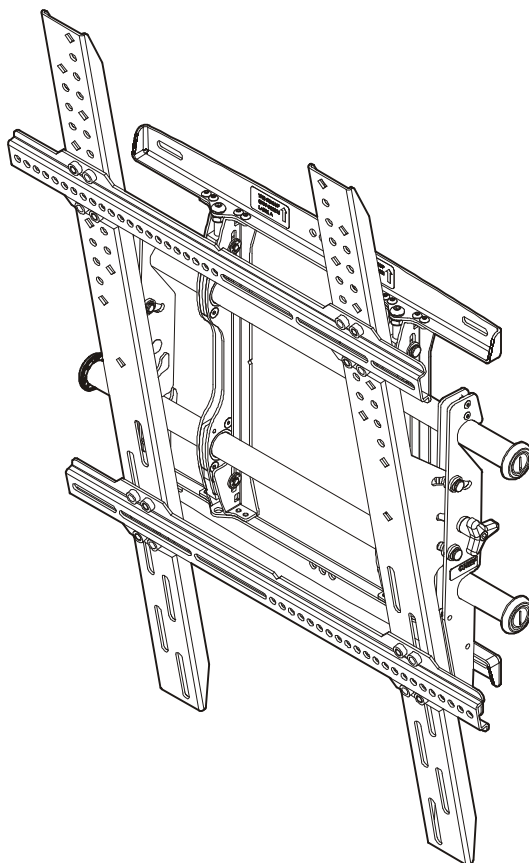


---

# INSTALLATION INSTRUCTIONS

---



---

## FUSION PORTRAIT MICROADJUSTABLE LARGE TILT MOUNT

---

## DISCLAIMER

Milestone AV Technologies, and its affiliated corporations and subsidiaries (collectively "Milestone"), intend to make this manual accurate and complete. However, Milestone makes no claim that the information contained herein covers all details, conditions or variations, nor does it provide for every possible contingency in connection with the installation or use of this product. The information contained in this document is subject to change without notice or obligation of any kind. Milestone makes no representation of warranty, expressed or implied, regarding the information contained herein. Milestone assumes no responsibility for accuracy, completeness or sufficiency of the information contained in this document.

Chief® is a registered trademark of Milestone AV Technologies. All rights reserved.



## IMPORTANT SAFETY INSTRUCTIONS!



**WARNING:** A WARNING alerts you to the possibility of serious injury or death if you do not follow the instructions.



**CAUTION:** A CAUTION alerts you to the possibility of damage or destruction of equipment if you do not follow the corresponding instructions.



**WARNING:** Failure to read, thoroughly understand, and follow all instructions can result in serious personal injury, damage to equipment, or voiding of factory warranty! It is the installer's responsibility to make sure all components are properly assembled and installed using the instructions provided.



**WARNING:** Failure to provide adequate structural strength for this component can result in serious personal injury or damage to equipment! It is the installer's responsibility to make sure the structure to which this component is attached can support five times the combined weight of all equipment. Reinforce the structure as required before installing the component. The wall to which the mount is being attached may have a maximum drywall thickness of 5/8" (1.6cm) for wood studs.



**WARNING:** Exceeding the weight capacity can result in serious personal injury or damage to equipment! It is the installer's responsibility to make sure the combined weight of all components located between the LTMPU up to (and including) the display does not exceed 200 lbs (90.7 kg).



**WARNING:** Use this mounting system only for its intended use as described in these instructions. Do not use attachments not recommended by the manufacturer.



**WARNING:** Never operate this mounting system if it is damaged. Return the mounting system to a service center for examination and repair.



**WARNING:** Do not use this product outdoors.

**IMPORTANT ! :** The LTMPU mounts are designed to be mounted to an 8" concrete, 8"x8"x16" concrete block or 2" x 4" wood studs (16" on center) wall.

**--SAVE THESE INSTRUCTIONS--**

**DIMENSIONS**

NOTES:

NOT RECOMMENDED FOR SINGLE STUD MOUNTING

MAX SCREEN MOUNTING PATTERN  
20.7" (525.8 mm) WIDE X 31.5" (800.1 mm) HIGH

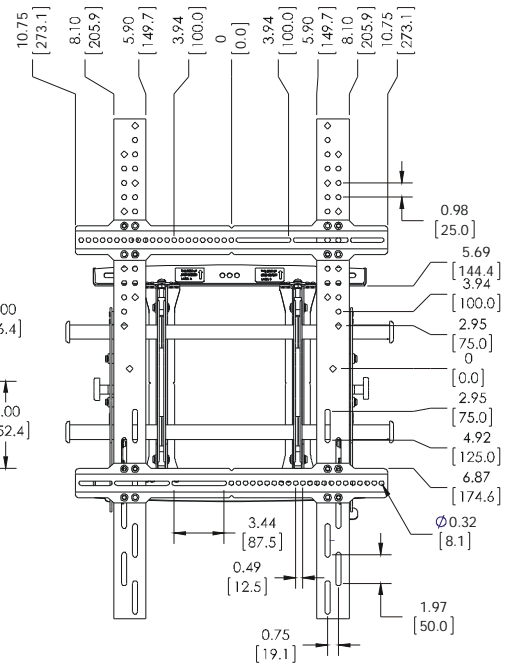
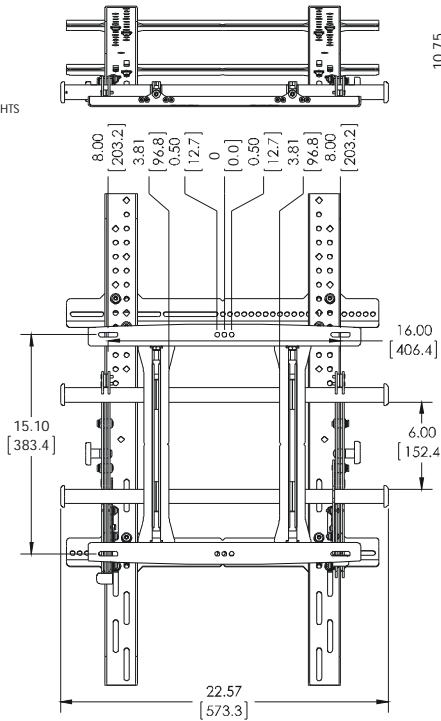
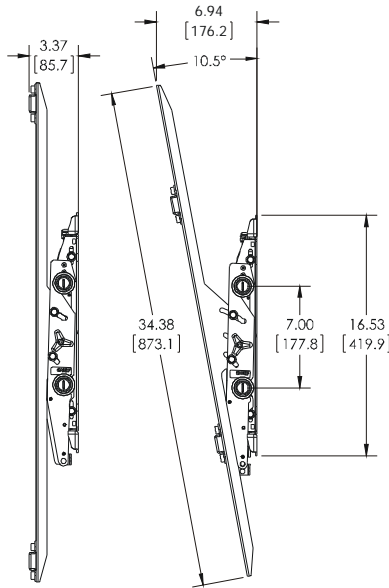
MIN SCREEN MOUNTING PATTERN WIDTH 7.874" (200 mm)

MAX SCREEN SCREW SIZE 8 mm

MAX MOUNTING PATTERN IS 21.6" (548.6 mm) WITHOUT REVERSING UPRIGHTS  
MAX MOUNTING PATTERN IS 26.2" (665.5 mm) WITH REVERSING UPRIGHTS

FOR RECESSED APPLICATIONS, MINIMUM VERTICAL LIFT FOR HOOK  
ENGAGEMENT IS .42" (10.7 mm)

RAILS CAN BE SLID LEFT OR RIGHT FOR OFFSET APPLICATIONS  
MOUNT IS 3.37" (85.6 mm) DEEP WHEN FLAT TO THE WALL



DIMENSIONS: INCHES [MILLIMETERS]

**LEGEND**

	<b>Tighten Fastener</b>
	Apretar elemento de fijación
	Befestigungsteil festziehen
	Apertar fixador
	Serrare il fissaggio
	Bevestiging vastdraaien
	Serrez les fixations

	<b>Pencil Mark</b>
	Marcar con lápiz
	Stiftmarkierung
	Marcar com lápis
	Segno a matita
	Potloodmerkteken
	Marquage au crayon

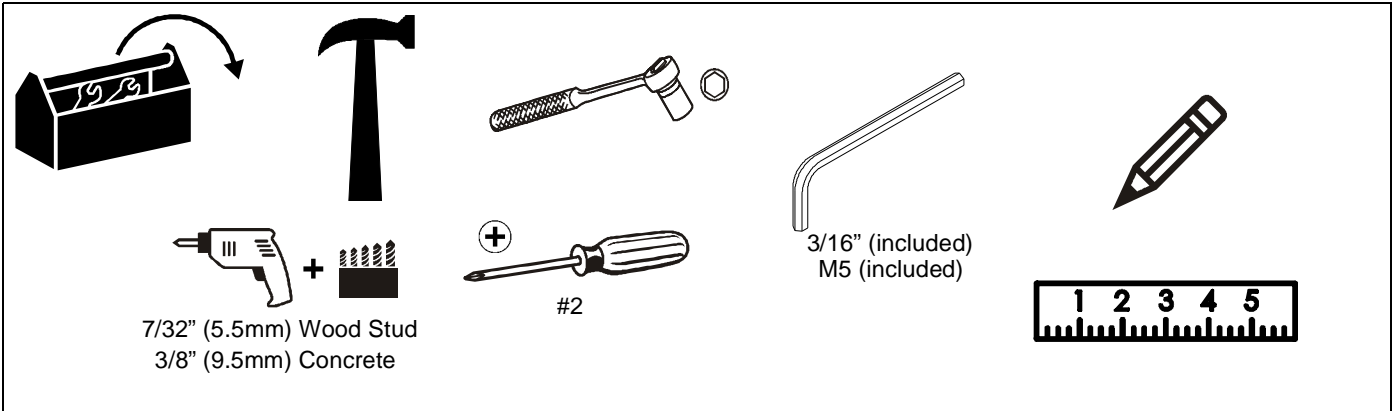
	<b>Loosen Fastener</b>
	Aflojar elemento de fijación
	Befestigungsteil lösen
	Desapertar fixador
	Allentare il fissaggio
	Bevestiging losdraaien
	Desserrez les fixations

	<b>Drill Hole</b>
	Perforar
	Bohrloch
	Fazer furo
	Praticare un foro
	Gat boren
	Percez un trou

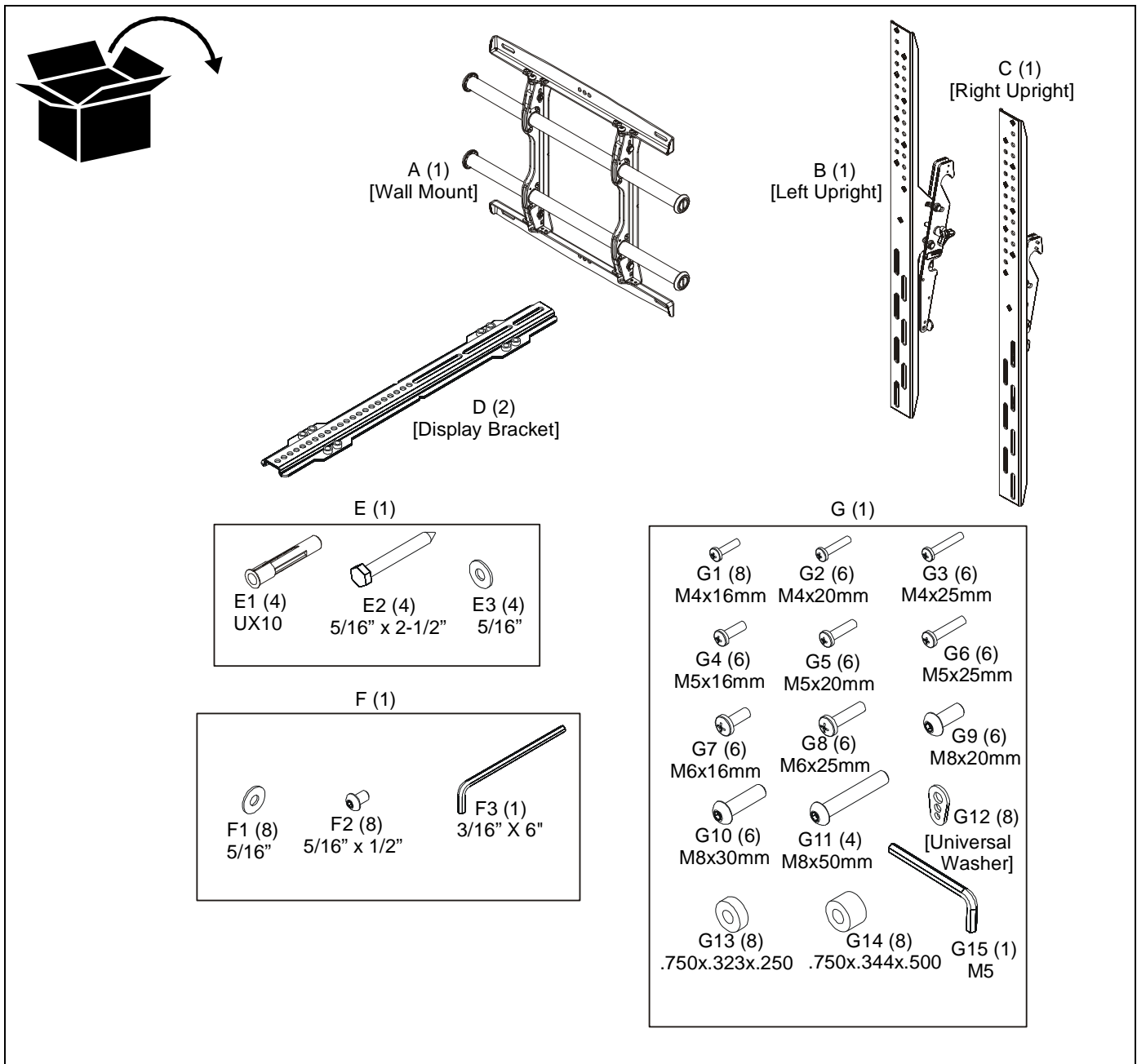
	<b>Hex-Head Wrench</b>
	Llave de cabeza hexagonal
	Sechskantschlüssel
	Chave de cabeça sextavada
	Chiave esagonale
	Zeskantsleutel
	Clé à tête hexagonale

	<b>By Hand</b>
	A mano
	Von Hand
	Com a mão
	A mano
	Met de hand
	À la main

**TOOLS REQUIRED FOR INSTALLATION**



**PARTS**



## INSTALLATION

The LTMPU mounts are designed to be mounted to an 8" concrete, 8"x8"x16" concrete block or 2" x 4" wood studs (16" on center) wall. The LTMPU has brackets which allow the TV to be tilted.

### Locate Mounting Site



**WARNING:** IMPROPER INSTALLATION CAN LEAD TO MOUNT FALLING CAUSING SEVERE PERSONAL INJURY OR DAMAGE TO EQUIPMENT! It is the installers responsibility to make certain the structure to which the mount is being attached is capable of supporting five times the weight of the LTMPU and all attached equipment not to exceed 200 lbs (90.7 kg).

**NOTE:** Proceed to either the **Installing to a Wood Stud Wall** section or the **Installing to a Concrete Wall** section.

### Installing to a Wood Stud Wall

1. Determine the center of the TV screen, and where it should be located on the wall.



**WARNING:** The LTMPU is designed to be mounted to two wood studs (16" on center) or concrete. DO NOT attempt to mount the LTMPU to a single wood stud!

2. Locate the closest studs to the left and right of the selected location.
3. Line up the notches on mount with center of screen marking to determine vertical center. (See Figure 1)

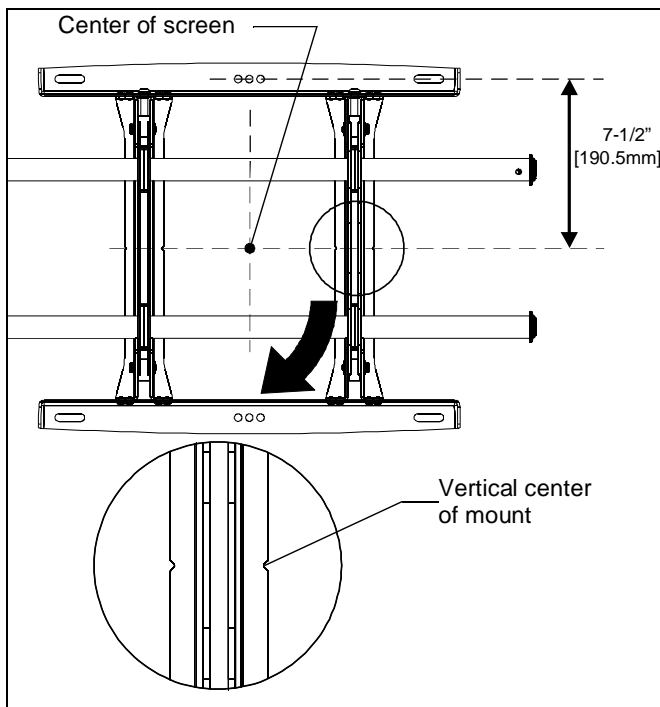


Figure 1

4. Measure up 7-1/2" (190.5mm) from the center point to mark location of the upper mounting slots.

5. Using a level, mark the wall on each stud to attach the mount through the upper mounting slots. (See Figure 2)

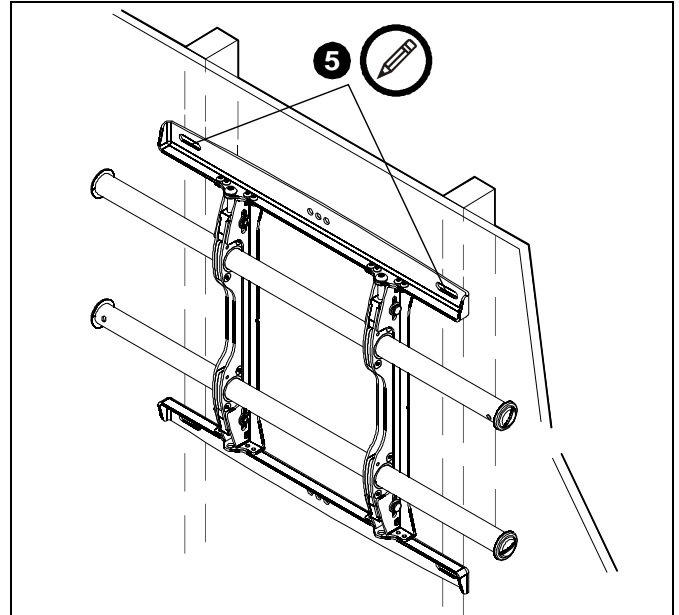


Figure 2



**WARNING:** ELECTRICAL SHOCK HAZARD! CUTTING OR DRILLING INTO ELECTRICAL CORDS OR CABLES CAN CAUSE DEATH OR SERIOUS PERSONAL INJURY! ALWAYS make certain area behind mounting surface is free of electrical wires and cables before drilling or installing fasteners.



**WARNING:** EXPLOSION AND FIRE HAZARD! CUTTING OR DRILLING INTO GAS PLUMBING CAN CAUSE DEATH OR SERIOUS PERSONAL INJURY! ALWAYS make certain area behind mounting surface is free of gas, water, waste, or any other plumbing before cutting, drilling, or installing fasteners.

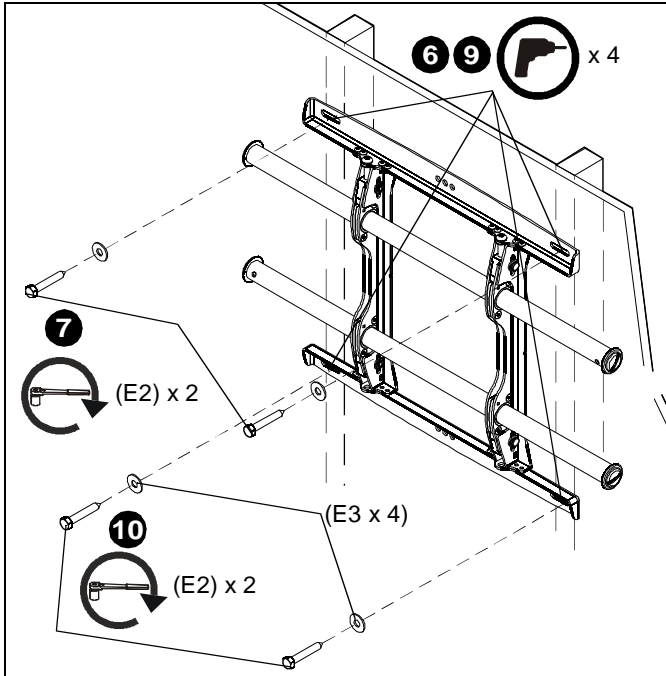


Figure 3

6. Drill one 7/32" (5.5mm) pilot hole in each stud.
7. Use two 5/16 x 2-1/2" lag bolts (E2) and two 5/16" flat washers (E3) to attach top of mount to wall. (See Figure 3)
8. Mark the attachment points for the lower mounting slots, making sure the attachment points are located on the studs. (See Figure 3)
9. Drill 7/32" (5.5mm) pilot holes at markings for lower mounting holes. (See Figure 3)
10. Use two 5/16 x 2-1/2" lag bolts (E2) and two 5/16" flat washers (E3) to attach the mount to the wall through the lower mounting holes. (See Figure 3)
11. Slide rails to approximate center of screen location.

**Installing to a Concrete Wall**

1. Determine the center of the TV screen, and where it should be located on the wall.
2. Line up the notches on mount with center of screen marking to determine vertical center. (See Figure 1)
3. Measure up 7-1/2" (190.5mm) from the center point to mark location of the upper mounting slots. (See Figure 1)
4. Using a level, mark the wall through both upper mounting slots. (See Figure 4)



**WARNING:** ELECTRICAL SHOCK HAZARD! CUTTING OR DRILLING INTO ELECTRICAL CORDS OR CABLES CAN CAUSE DEATH OR SERIOUS PERSONAL INJURY! ALWAYS make certain area behind mounting surface is free of electrical wires and cables before drilling or installing fasteners.



**WARNING:** EXPLOSION AND FIRE HAZARD! CUTTING OR DRILLING INTO GAS PLUMBING CAN CAUSE DEATH OR SERIOUS PERSONAL INJURY! ALWAYS make certain area behind mounting surface is free of gas, water, waste, or any other plumbing before cutting, drilling, or installing fasteners.

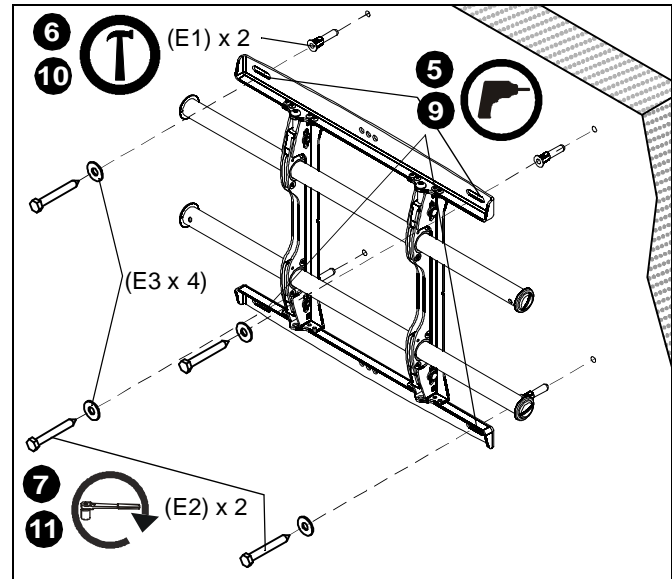


Figure 4

5. Drill one 3/8" x 3-1/2" pilot hole at each marking.
6. Install an anchor (E1) into each pilot hole using a hammer.
7. Use two 5/16 x 2-1/2" lag bolts (E2) and two 5/16" flat washers (E3) to attach top of mount to anchors in wall.
8. Mark the attachment points for the lower mounting slots. (See Figure 4)
9. Drill one pilot hole at each marking for lower mounting holes. (See Figure 4)
10. Install an anchor (E1) into each pilot hole using a hammer.
11. Use two 5/16 x 2-1/2" lag bolts (E2) and two 5/16" flat washers (E3) to attach the mount to the wall through the lower mounting holes. (See Figure 4)
12. Slide rails to approximate center of screen location.

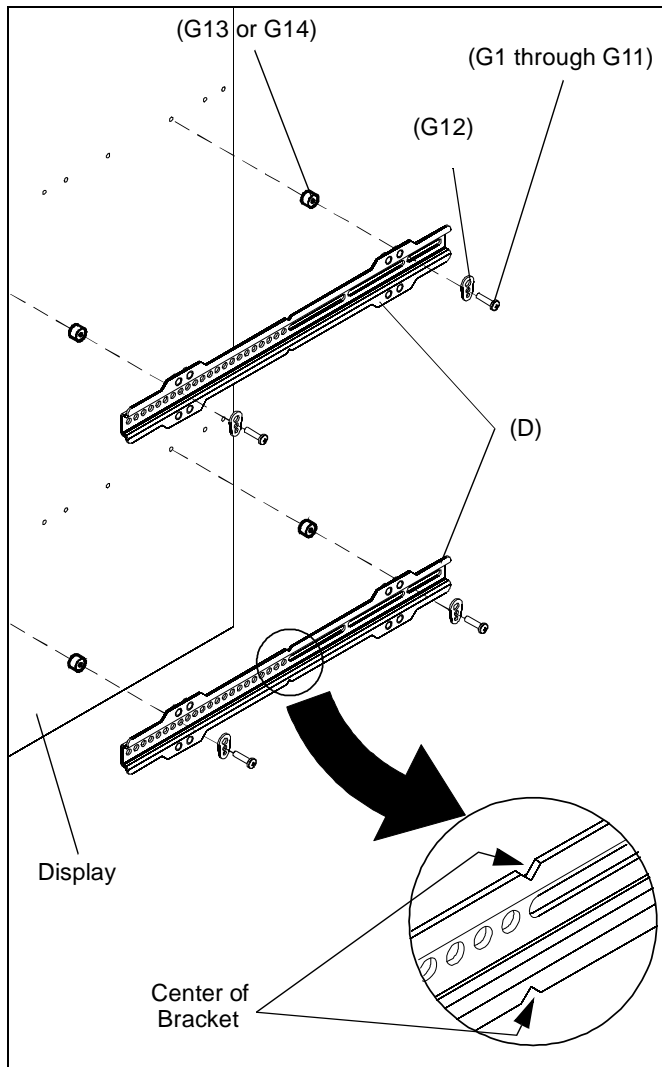
**Attaching Display Brackets to Display**

1. Horizontally align the center of the display brackets (D) with center of screen. (See Figure 5)

**NOTE:** The notch in the top and bottom of the display bracket (D) corresponds to the center of the bracket.



**WARNING:** IMPROPER INSTALLATION CAN LEAD TO DISPLAY FALLING CAUSING SERIOUS PERSONAL INJURY OR DAMAGE TO EQUIPMENT! Using screws of improper size may damage your display. Properly sized screws will easily and completely thread into display mounting holes. If spacers are required, be sure to use longer screws of the same diameter.



**Figure 5**

2. Select correct screws, spacers (if necessary) and washers from the hardware bag and attach display brackets (D) to back of screen. (See Figure 5)

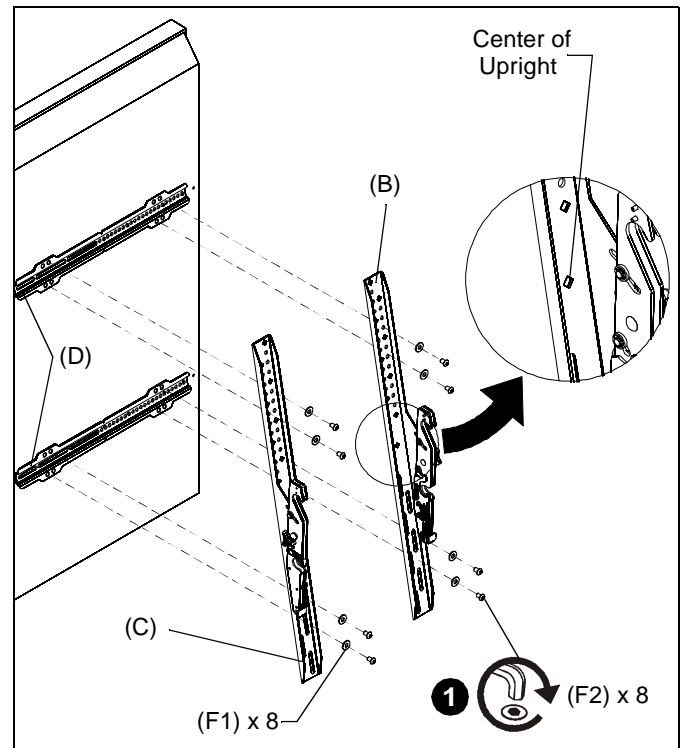
**Attaching Uprights to Display Brackets**

1. Vertically align the center of the uprights (B and C) with center of screen. (See Figure 6)

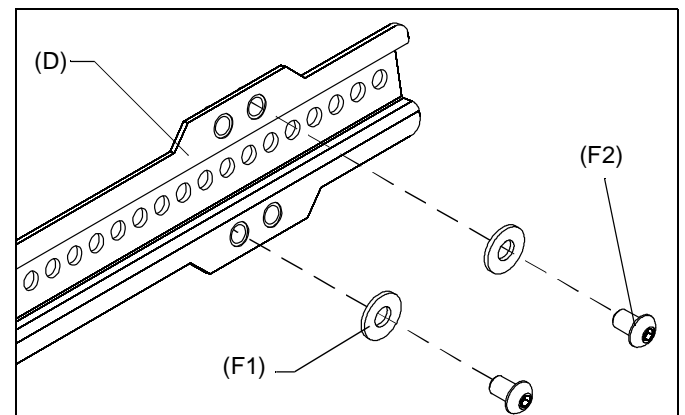
**NOTE:** The diamond-shape opening in the uprights (B and C) corresponds to the vertical center of the upright.

2. Attach uprights (B and C) to the display brackets (D) on the display back using eight 5/16" x 1/2" button head cap screws (F2) and eight 5/16" flat washers (F1).

**IMPORTANT ! :** Attach uprights with four screws per display bracket (D), two at each end. If possible, attach the uprights with one screw in a top hole and one diagonally located in a lower hole on each end of the display bracket. (See Figure 7) At the minimum, one screw should be in a top hole, and one in a bottom hole at each end of the display bracket.



**Figure 6**

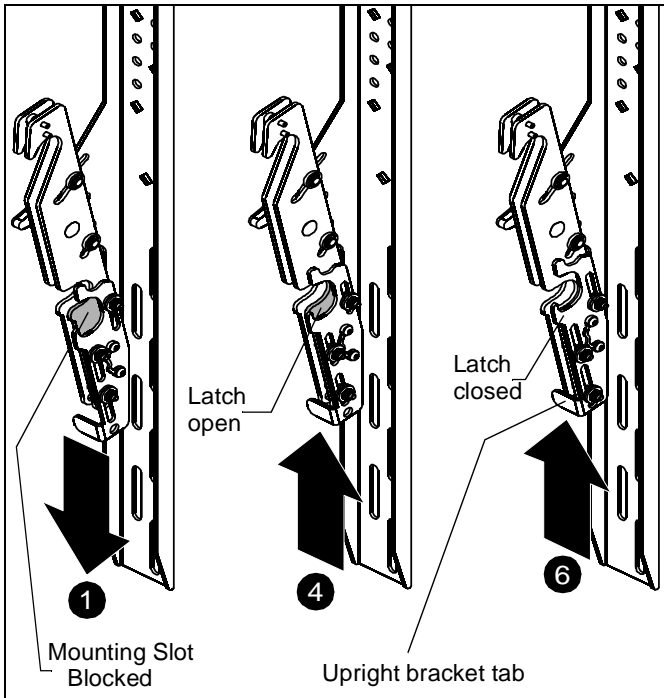


**Figure 7**

**Attaching Display to Wall Mount**

1. Push upright brackets tabs all the way down so that the lower mounting slot is blocked. (See Figure 8)
2. Hang the top hook of upright brackets onto the top bar of the mount. The bottom of the screen will be away from the wall.
3. Route cables between wall and bars.

**CAUTION:** PINCH POINTS! Keep fingers, hands and cables out of pinch point areas.



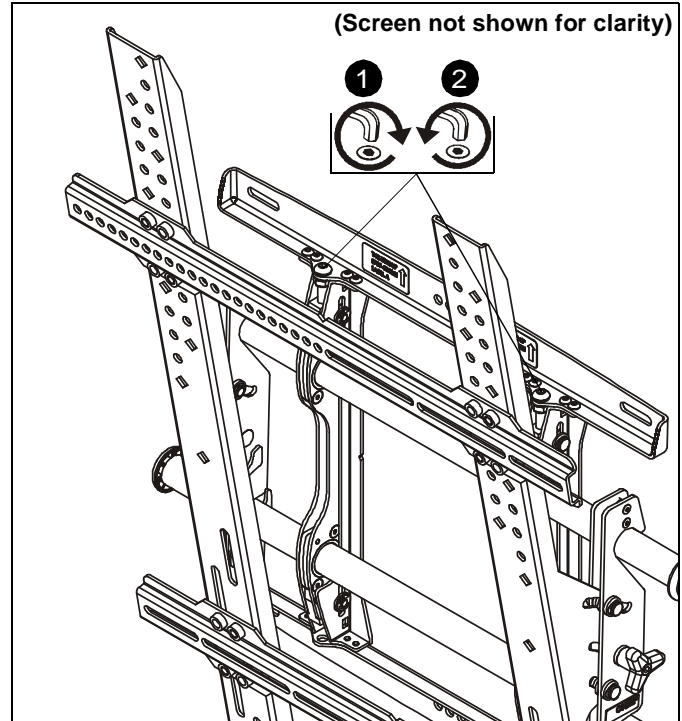
**Figure 8**

4. Move screen towards the wall by pulling display bottom away from wall and pushing the upright brackets tabs up one notch to the detent which you will be able to feel (approximately half way up). (See Figure 8)
5. Push bottom of display toward the wall bracket so that lower latch on upright brackets surrounds lower bar of wall mount.
6. Raise upright brackets tabs all the way to secure the brackets onto the wall mount. (See Figure 8)

**Adjusting Roll/Height of Wall Brackets**

**NOTE:** The height adjust wall bracket allows adjustment of +/- 1/2".

1. Use 3/16" hex key (F3) to turn height-adjust screws to right (tighten) to raise side of screen. (See Figure 9)
2. Use 3/16" hex key (F3) to turn height-adjust screws to left (loosen) to lower side of screen. (See Figure 9)

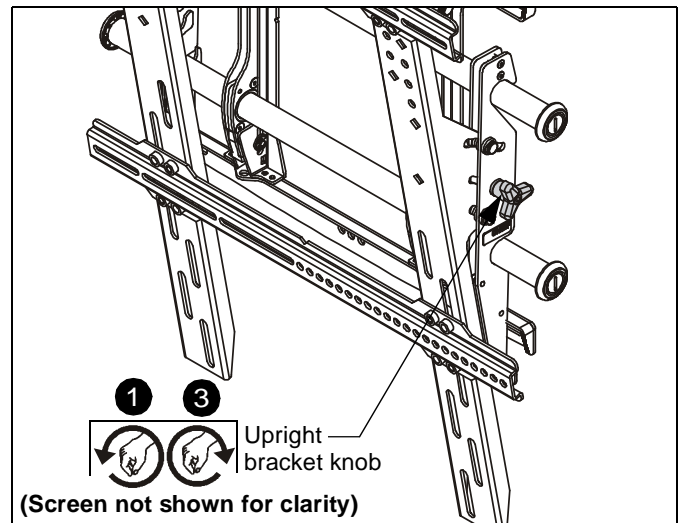


**Figure 9**

**Adjusting Tilt of Upright Brackets**

**WARNING:** IMPROPER TILT ADJUSTMENT MAY LEAD TO DISPLAY TIPPING FORWARD CAUSING PERSONAL INJURY OR DAMAGE TO EQUIPMENT! Hold display while loosening upright bracket knobs.

1. Turn upright bracket knobs to left to loosen tilt. (See Figure 10)
2. Adjust tilt as required.
3. Lock at desired tilt by turning upright bracket knobs to right to tighten. (See Figure 10)

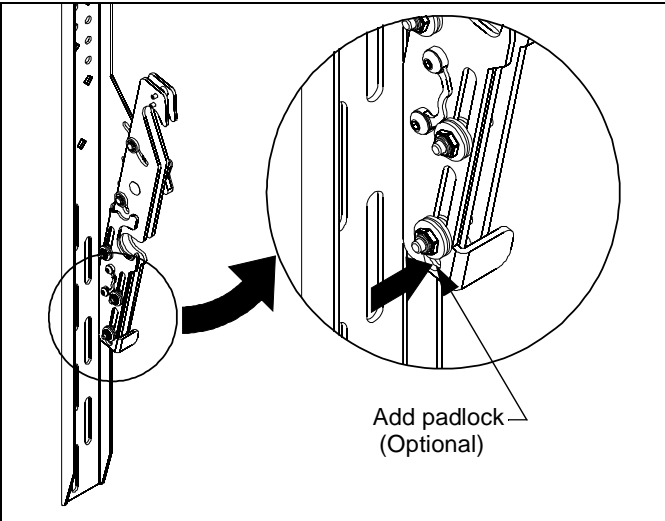


**Figure 10**



**Locking Mount (Optional)**

Add padlock (not included) to upright bracket tab to lock the LTMPU mount. (See Figure 11)



**Figure 11**







Our Mounts. **Your Vision.**

Chief, a products division of  
Milestone AV Technologies

8800-002374 Rev04  
©2015 Milestone AV Technologies  
[www.chiefmfg.com](http://www.chiefmfg.com)  
04/15

<b>USA/International</b>	<b>A</b> 6436 City West Parkway, Eden Prairie, MN 55344 <b>P</b> 800.582.6480 / 952.225.6000 <b>F</b> 877.894.6918 / 952.894.6918
<b>Europe</b>	<b>A</b> Franklinstraat 14, 6003 DK Weert, Netherlands <b>P</b> +31 (0) 495 580 852 <b>F</b> +31 (0) 495 580 845
<b>Asia Pacific</b>	<b>A</b> Office No. 918 on 9/F, Shatin Galleria 18-24 Shan Mei Street Fotan, Shatin, Hong Kong <b>P</b> 852 2145 4099 <b>F</b> 852 2145 4477

