
INSTALLATION INSTRUCTIONS

J SERIES SECURITY KIT

DISCLAIMER

Milestone AV Technologies and its affiliated corporations and subsidiaries (collectively "Milestone"), intend to make this manual accurate and complete. However, Milestone makes no claim that the information contained herein covers all details, conditions or variations, nor does it provide for every possible contingency in connection with the installation or use of this product. The information contained in this document is subject to change without notice or obligation of any kind. Milestone makes no representation of warranty, expressed or implied, regarding the information contained herein. Milestone assumes no responsibility for accuracy, completeness or sufficiency of the information contained in this document.

Chief® is a registered trademark of Milestone AV Technologies. All rights reserved.

! IMPORTANT WARNINGS AND CAUTIONS!

! WARNING: A WARNING alerts you to the possibility of serious injury or death if you do not follow the instructions.

! CAUTION: A CAUTION alerts you to the possibility of damage or destruction of equipment if you do not follow the corresponding instructions.

! WARNING: Failure to read, thoroughly understand, and follow all instructions can result in serious personal injury, damage to equipment, or voiding of factory warranty! It is the installer's responsibility to make sure all components are properly assembled and installed using the instructions provided.

! WARNING: Failure to provide adequate structural strength for this component can result in serious personal injury or damage to equipment! It is the installer's responsibility to make sure the structure to which this component is attached can support five times the combined weight of all equipment. Reinforce the structure as required before installing the component.

! WARNING: Exceeding the weight capacity can result in serious personal injury or damage to equipment! It is the installer's responsibility to make sure the combined weight of all components does not exceed 75 lbs (34 kg).

TOOLS / PARTS REQUIRED FOR INSTALLATION

		<p>"A"</p>	<p>AA (6) M4 X 16mm</p>	<p>AB (4) M4 x 8mm</p>	<p>AC (4) M4 x 12mm</p>	<p>AD (4) M4 x 20mm</p>
<p>5/32" (Provided)</p>		<p>"B"</p>	<p>BA (4) M5 x 20mm</p>	<p>BB (4) M5 x 30mm</p>		
<p>3/16" (Provided)</p>		<p>"C"</p>	<p>CA (4) M6 x 20mm</p>	<p>CB (4) M6 x 30mm</p>	<p>CC (4) M6 x 45mm</p>	
		<p>"D"</p>	<p>DA (1) 5/32"</p>	<p>DB (1) 3/16"</p>		
			<p>E (1) 5/16-18 X 3/4"</p>			<p>F (3) 5/16-18 X 5"</p>

Installation



CAUTION: FLAT PANEL DISPLAYS ARE EXTREMELY FRAGILE.

NOTE: In some installations (i.e. single arm mount) not all fasteners included in this kit will be required.



WARNING: INCORRECT ATTACHMENT OF BRACKET TO DISPLAY MAY CAUSE DAMAGE OR PERSONAL INJURY. Use the correct diameter and length of fastener to attach interface bracket and/or Centris bracket to back of display.

If Mount is Installed With Display

1. Disconnect all wires and cables from display.
2. Remove the four M4 x 12mm or M4 x 8mm screws from the Centris bracket and carefully remove the display. (See Figure 1)

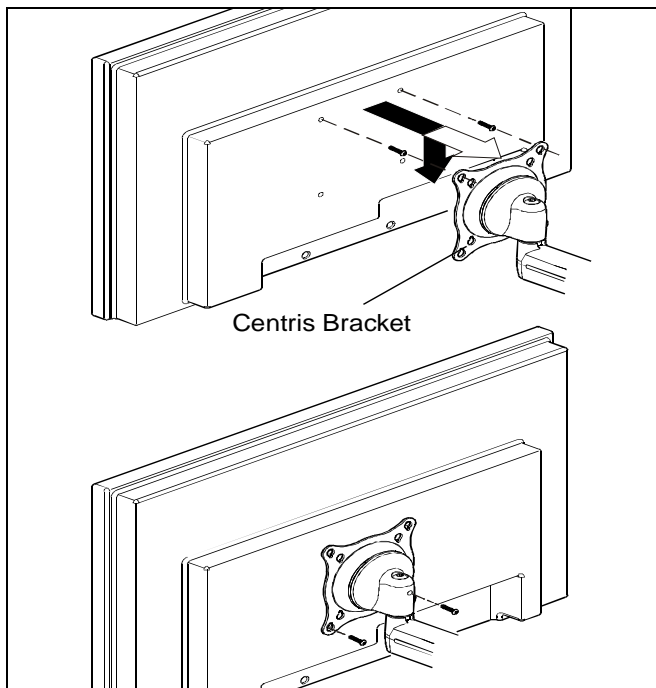


Figure 1

3. Remove three existing fasteners on medium flat panel mount (dual arm assembly shown for reference) and replace with three 5/16-18 x 5" button head security screws (F). (See Figure 2)
4. Replace the set screw with the 5/16-18 x 3/4" security set screw (E). (See Figure 2)

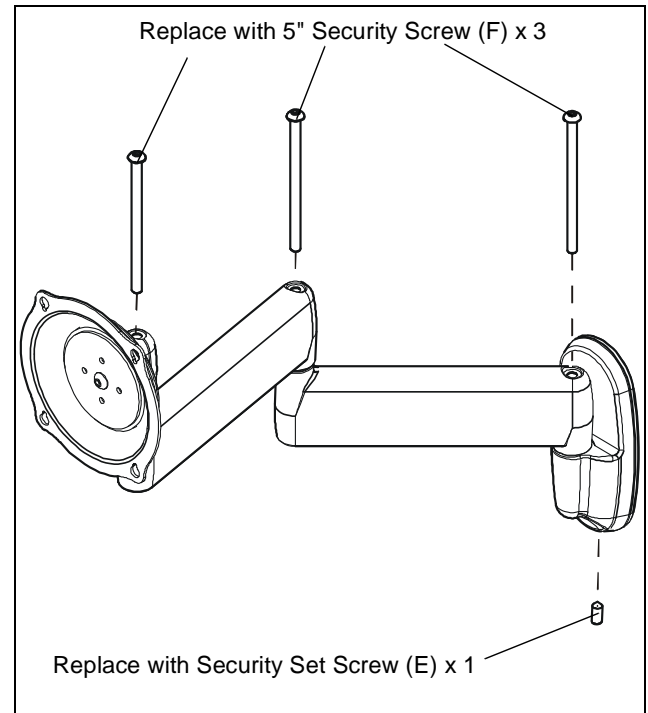


Figure 2

Re-Install Display

5. If an interface bracket was used in this installation, remove the screws attaching the interface bracket to the display. Replace with the same size button head security screws included in this kit (See Figure 3).
6. Replace the four screws removed from the Centris bracket with four M4 x 12mm button head security screws (AC) or M4 x 8mm (AB) included in this kit. (See Figure 1)
 - Start two screws into top mounting holes on display.
 - Align mounting holes on Centris bracket with screws installed on display. Hang display on Centris bracket.
 - Install two remaining screws into bottom mounting holes on display.
 - Tighten four screws.

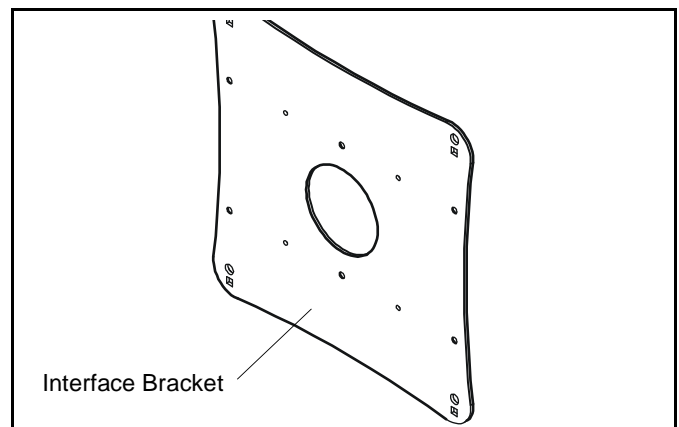


Figure 3



Our Mounts. **Your Vision.**

Chief Manufacturing, a products division
of Milestone AV Technologies

8804-000323 RevB
©2010 Milestone AV Technologies, a
Duchossois Group Company
www.chiefmfg.com
05/10

USA/International	A 8401 Eagle Creek Parkway, Savage, MN 55378 P 800.582.6480 / 952.894.6280 F 877.894.6918 / 952.894.6918
Europe	A Fellenoord 130 5611 ZB EINDHOVEN, The Netherlands P +31 (0)40 2668620 F +31 (0)40 2668615
Asia Pacific	A Office No. 1 on 12/F, Shatin Galleria 18-24 Shan Mei Street Fotan, Shatin, Hong Kong P 852 2145 4099 F 852 2145 4477

