
INSTALLATION INSTRUCTIONS

JTS SECURITY KIT

 **CHIEF**[®]

MAC1006

DISCLAIMER

CSAV, Inc., and its affiliated corporations and subsidiaries (collectively, "CSAV"), intend to make this manual accurate and complete. However, CSAV makes no claim that the information contained herein covers all details, conditions or variations, nor does it provide for every possible contingency in connection with the installation or use of this product. The information contained in this document is subject to change without notice or obligation of any kind. CSAV makes no representation of warranty, expressed or implied, regarding the information contained herein. CSAV assumes no responsibility for accuracy, completeness or sufficiency of the information contained in this document.

! IMPORTANT WARNINGS AND CAUTIONS!

! WARNING: A WARNING alerts you to the possibility of serious injury or death if you do not follow the instructions.

! CAUTION: A CAUTION alerts you to the possibility of damage or destruction of equipment if you do not follow the corresponding instructions.

! WARNING: Failure to read, thoroughly understand, and follow all instructions can result in serious personal injury, damage to equipment, or voiding of factory warranty! It is the installer's responsibility to make sure all components are properly assembled and installed using the instructions provided.

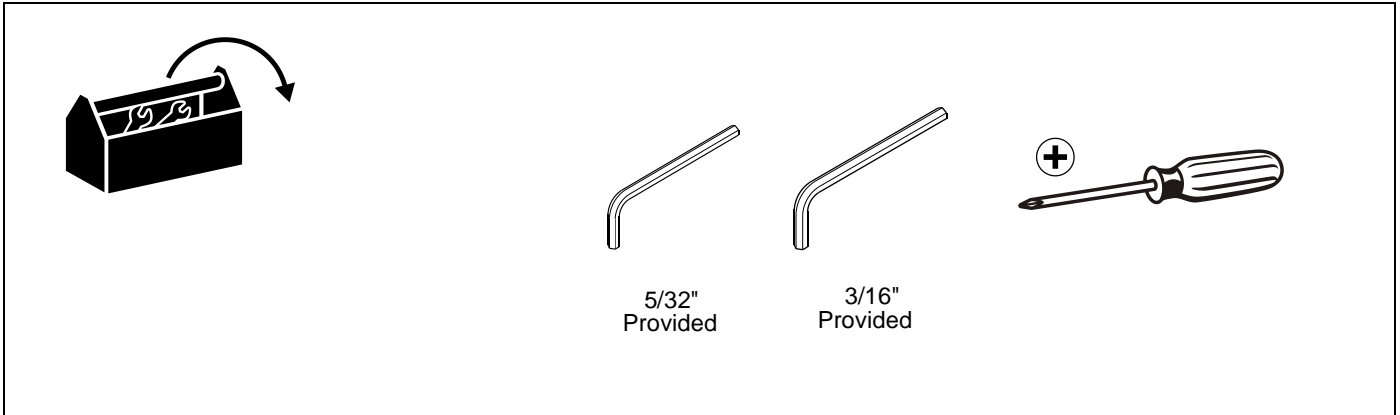
! WARNING: Failure to provide adequate structural strength for this component can result in serious personal injury or damage to equipment! It is the installer's responsibility to make sure the structure to which this component is attached can support five times the combined weight of all equipment. Reinforce the structure as required before installing the component.

! WARNING: Exceeding the weight capacity can result in serious personal injury or damage to equipment! It is the installer's responsibility to make sure the combined weight of all components does not exceed 75 lbs (34 kg).

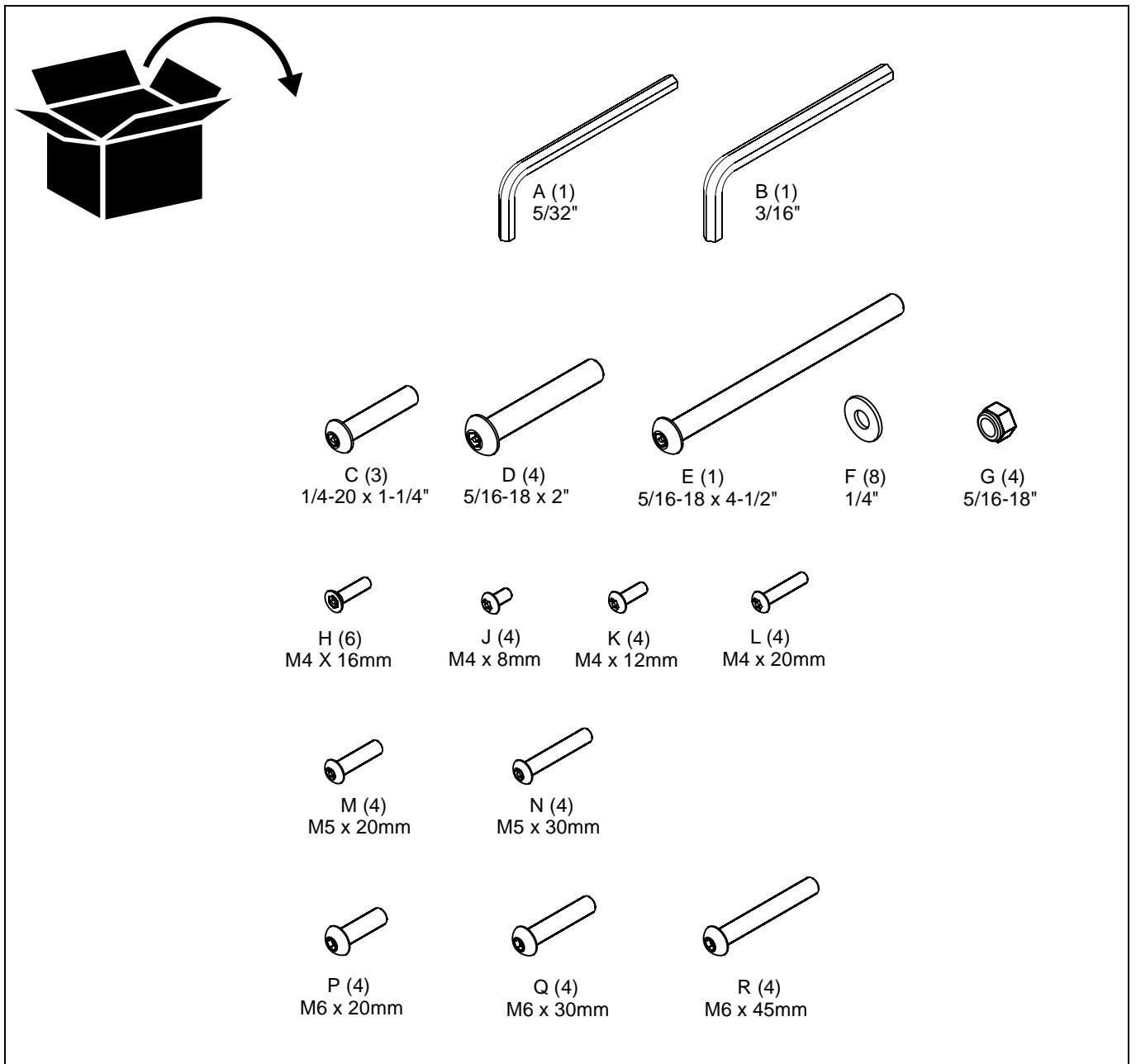
LEGEND

	Tighten Fastener
	Apretar elemento de fijación
	Befestigungsteil festziehen
	Apertar fixador
	Serrare il fissaggio
	Bevestiging vastdraaien
Serrez les fixations	
	Loosen Fastener
	Aflojar elemento de fijación
	Befestigungsteil lösen
	Desapertar fixador
	Allentare il fissaggio
	Bevestiging losdraaien
Desserrez les fixations	
	Remove
	Quitar
	Entfernen
	Remover
	Rimuovere
	Verwijderen
Retirez	
	By Hand
	A mano
	Von Hand
	Com a mão
	A mano
	Met de hand
À la main	
	Security Wrench
	Llave de seguridad
	Sicherheitsschlüssel
	Chave de segurança
	Chiave di sicurezza
	Veiligheidssleutel
Clé de sécurité	
	Hex-Head Wrench
	Llave de cabeza hexagonal
	Sechskantschlüssel
	Chave de cabeça sextavada
	Chiave esagonale
	Zeskantsleutel
Clé à tête hexagonale	

TOOLS



PARTS



INSTALLATION



CAUTION: FLAT PANEL DISPLAYS ARE EXTREMELY FRAGILE.

NOTE: In some installations not all fasteners included in this kit will be required.



WARNING: INCORRECT ATTACHMENT OF BRACKET TO DISPLAY MAY CAUSE DAMAGE OR PERSONAL INJURY. Use the correct diameter and length of fastener to attach interface bracket to back of display.

Remove Display from Mount

1. Disconnect all wires and cables from display.
2. Remove the four M4 x 8mm screws from the mounting plate and carefully remove the display. (See Figure 1)

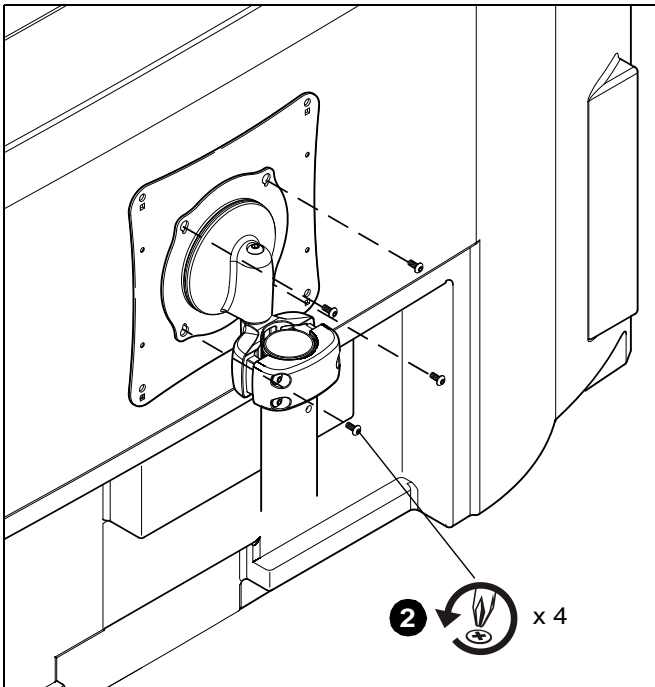


Figure 1

Replacing Fasteners

1. Remove four existing fasteners from base and replace with four 5/16-18 x 2" button head security screws (D). (See Figure 2)

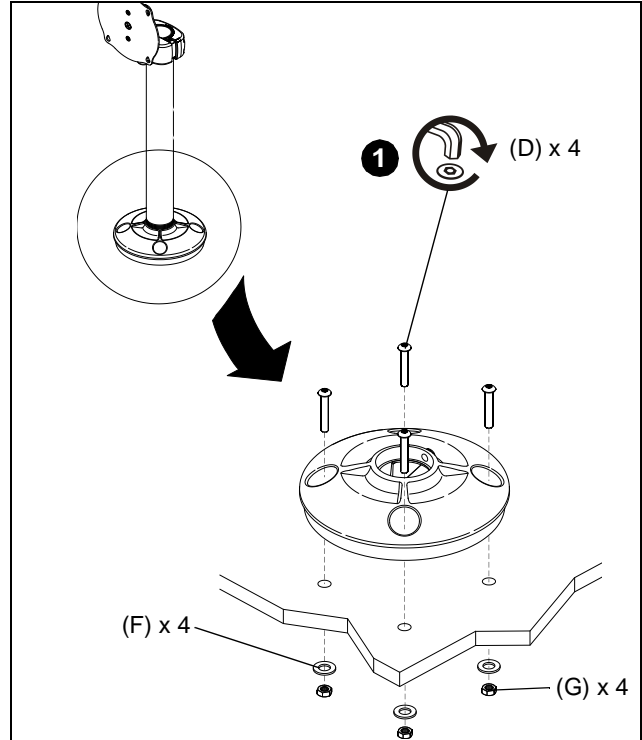


Figure 2

2. Remove three fasteners from rear pole clamp and replace with three 1/4-20 x 1-1/4" button head security screws (C). (See Figure 3)
3. Remove 4-1/2" fastener from pole mount clamp and replace with one 5/16-18 x 4-1/2" button head security screw (E). (See Figure 3)

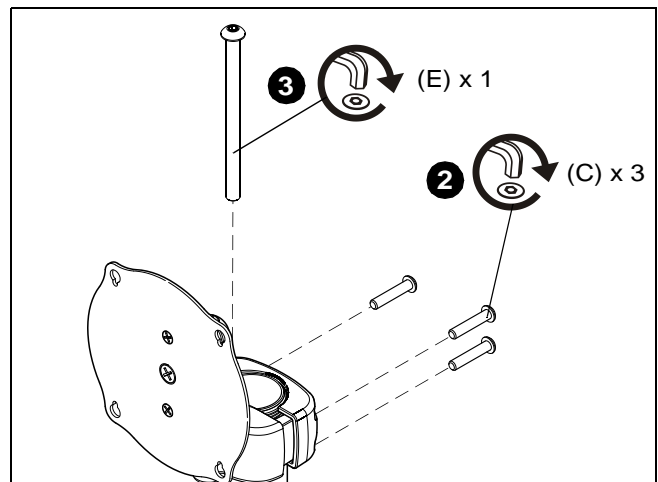


Figure 3

Re-Installing Display

1. If an interface bracket was used in this installation, remove the screws attaching the interface bracket to the display. Replace with the same size button head security screws included in this kit (see Figure 4).

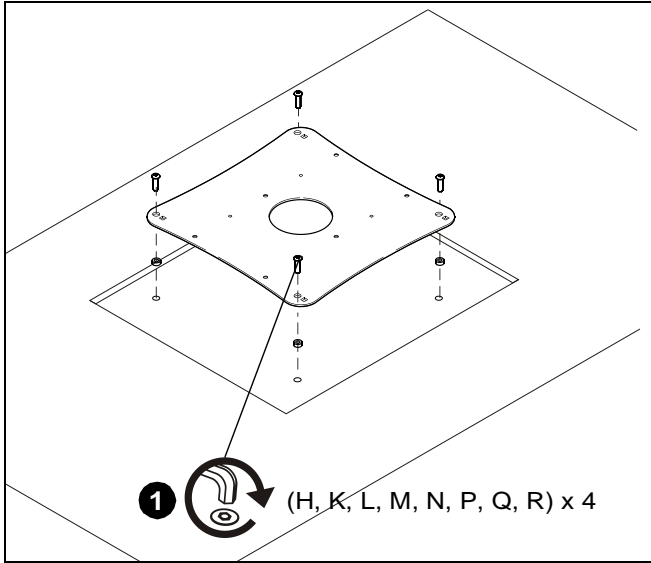


Figure 4

2. Start two button head security screws (J) into top mounting holes (100 x 100) in interface bracket. (See Figure 5)
3. Align two screws in interface bracket with upper mounting holes in mounting plate and lower display until screws are seated in lower area of teardrop mounting holes. (See Figure 5)

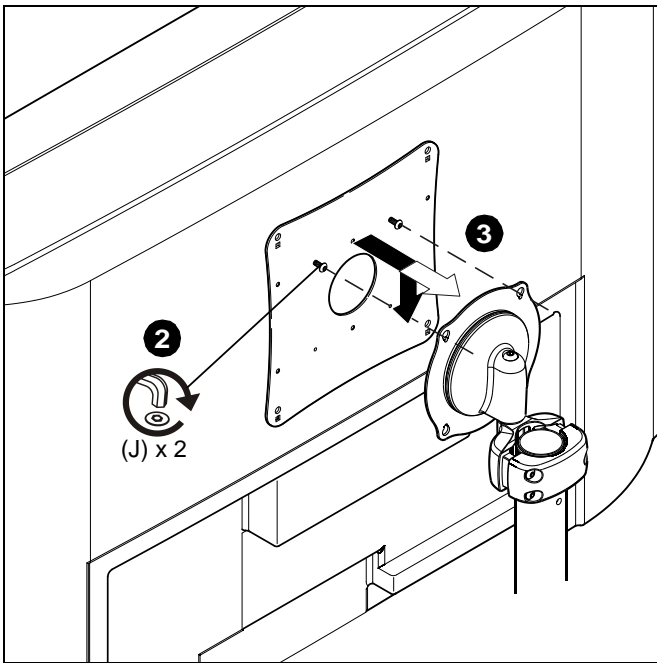


Figure 5

4. Hold display so that interface bracket is against mounting plate and install two button head security screws (J) through lower mounting holes in mounting plate and into lower mounting holes in interface bracket. (See Figure 6)

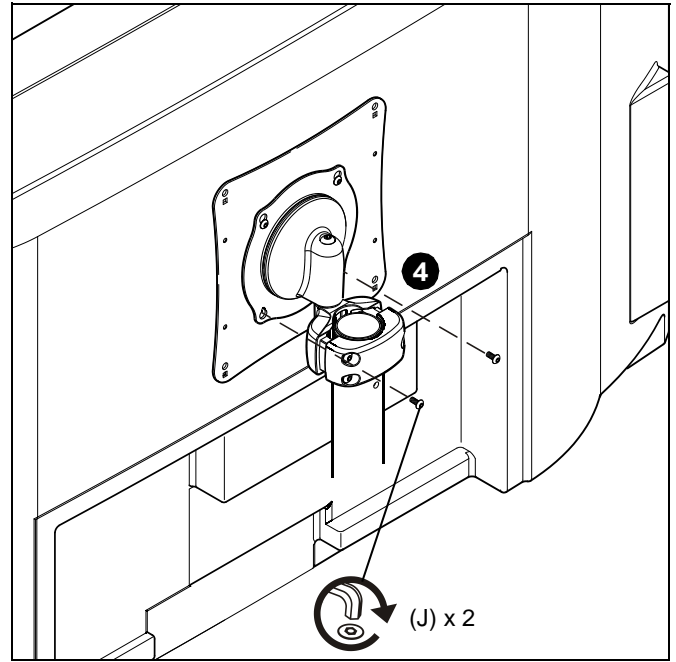


Figure 6

Adjustments

1. Loosen right button head security screw and adjust display position.
2. Tighten button head security screw.

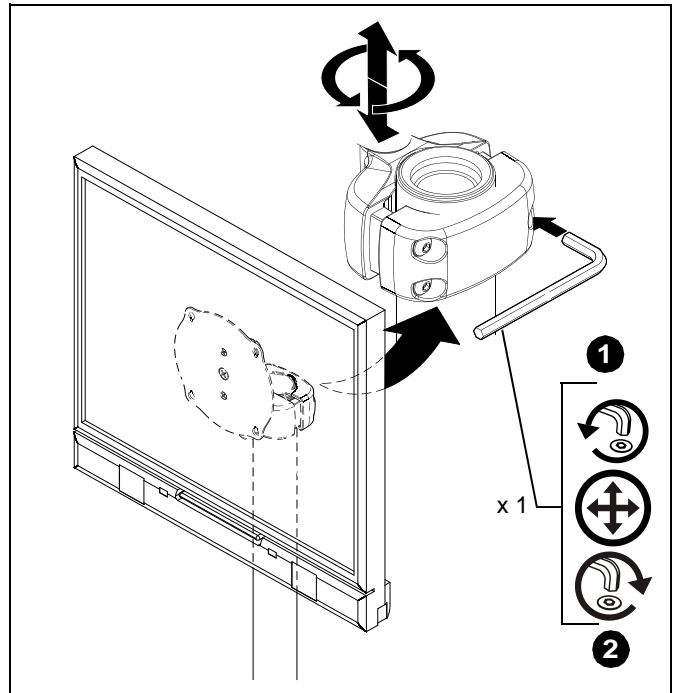


Figure 7



8807-000067
©2007 Chief Manufacturing
www.chiefmfg.com
06/07

USA/International	A 8401 Eagle Creek Parkway, Savage, MN 55378 P 800.582.6480 / 952.894.6280 F 877.894.6918 / 952.894.6918
Europe	A Fellenoord 130 5611 ZB EINDHOVEN, The Netherlands P +31 (0)40 2668620 F +31 (0)40 2668615
Asia Pacific	A Room 30I, Block D, Lily YinDu International Building LuoGang, BuJi Town, Shenzhen, CHINA. Post Code: 518112 深圳市布吉罗岗百合银都国际大厦D栋30I P +86-755-8996 9226 ; 8996 9236 ; 8996 9220 F +86-755-8996 9217