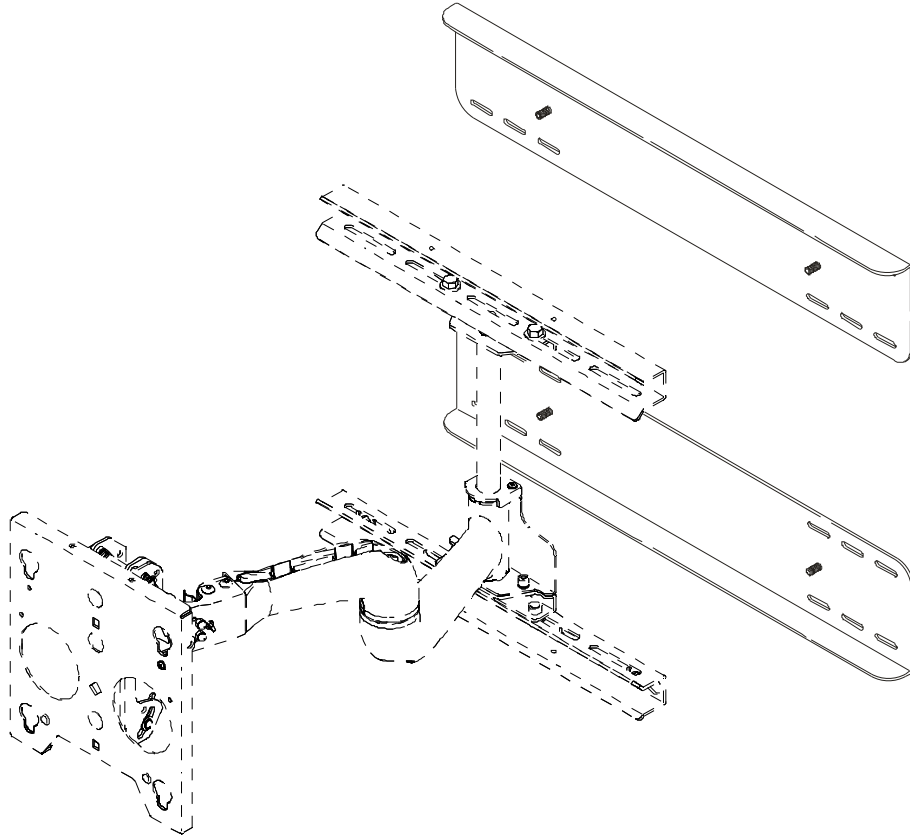

INSTALLATION INSTRUCTIONS





Steel Stud Installation Accessory


DISCLAIMER


CSAV, Inc., and its affiliated corporations and subsidiaries (collectively, "CSAV"), intend to make this manual accurate and complete. However, CSAV makes no claim that the information contained herein covers all details, conditions or variations, nor does it provide for every possible contingency in connection with the installation or use of this product. The information contained in this document is subject to change without notice or obligation of any kind. CSAV makes no representation of warranty, expressed or implied, regarding the information contained herein. CSAV assumes no responsibility for accuracy, completeness or sufficiency of the information contained in this document.


IMPORTANT WARNINGS AND CAUTIONS!


 **WARNING:** A WARNING alerts you to the possibility of serious injury or death if you do not follow the instructions.

 **CAUTION:** A CAUTION alerts you to the possibility of damage or destruction of equipment if you do not follow the corresponding instructions.


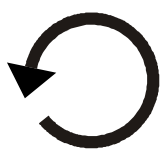
 **WARNING:** Failure to read, thoroughly understand, and follow all instructions can result in serious personal injury, damage to equipment, or voiding of factory warranty! It is the installer's responsibility to make sure all components are properly assembled and installed using the instructions provided.



 **WARNING:** Failure to provide adequate structural strength for the installation of this kit can result in serious personal injury or damage to equipment! It is the installer's responsibility to make sure the structure to which this kit is attached can support five times the combined weight of all equipment.

 **WARNING:** This kit is intended for use only with Chief MWR and PWR series Swing Arm Wall mounts.

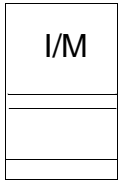
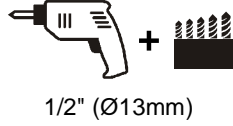
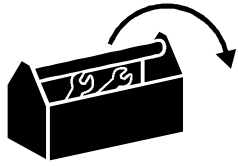
 **WARNING:** Exceeding the weight capacity can result in serious personal injury or damage to equipment! It is the installer's responsibility to make sure the combined weight of all components attached to this accessory does not exceed 100lbs (45.3 kg) if being installed on a wall with a minimum 1/2" thick drywall, or 125 lbs (56.7 kg) if being installed on a wall with a minimum 5/8" thick drywall.

LEGEND

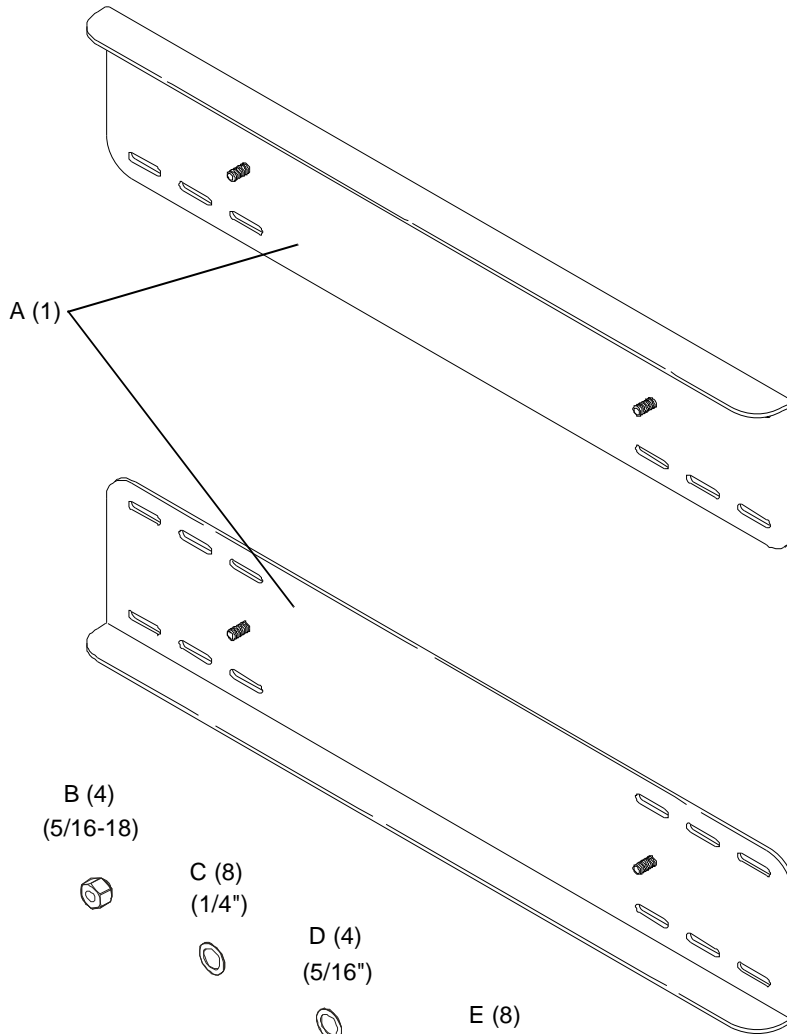
	Tighten Fastener
	Apretar elemento de fijación
	Befestigungsteil festziehen
	Apertar fixador
	Serrare il fissaggio
	Bevestiging vastdraaien
Serrez les fixations	
	Loosen Fastener
	Aflojar elemento de fijación
	Befestigungsteil lösen
	Desapertar fixador
	Allentare il fissaggio
	Bevestiging losdraaien
Desserrez les fixations	

	Open-Ended Wrench
	Llave de boca
	Gabelschlüssel
	Chave de bocas
	Chiave a punte aperte
	Steeksleutel
Clé à fourche	
	Phillips Screwdriver
	Destornillador Phillips
	Kreuzschlitzschraubendreher
	Chave de fendas Phillips
	Cacciavite a stella
	Kruiskopschroevendraaier
Tournevis à pointe cruciforme	

TOOLS REQUIRED FOR INSTALLATION AND PARTS



x1



B (4)
(5/16-18)



C (8)
(1/4")



D (4)
(5/16")



E (8)
(1/4"-20 x 1 3/4")



F (8)
(1/4"-20 SNAPTOGGLE BB)



Site Requirements

⚠ WARNING: IMPROPER INSTALLATION CAN LEAD TO EQUIPMENT FALLING CAUSING SERIOUS PERSONAL INJURY OR DAMAGE TO EQUIPMENT! The figure below identifies the minimum requirements for installation of display mounts onto a steel stud structure. If the structure or its components do not meet these requirements contact the mount manufacturer for specific instructions before attempting installation. It should also be noted that no other equipment should be mounted to the same stud.

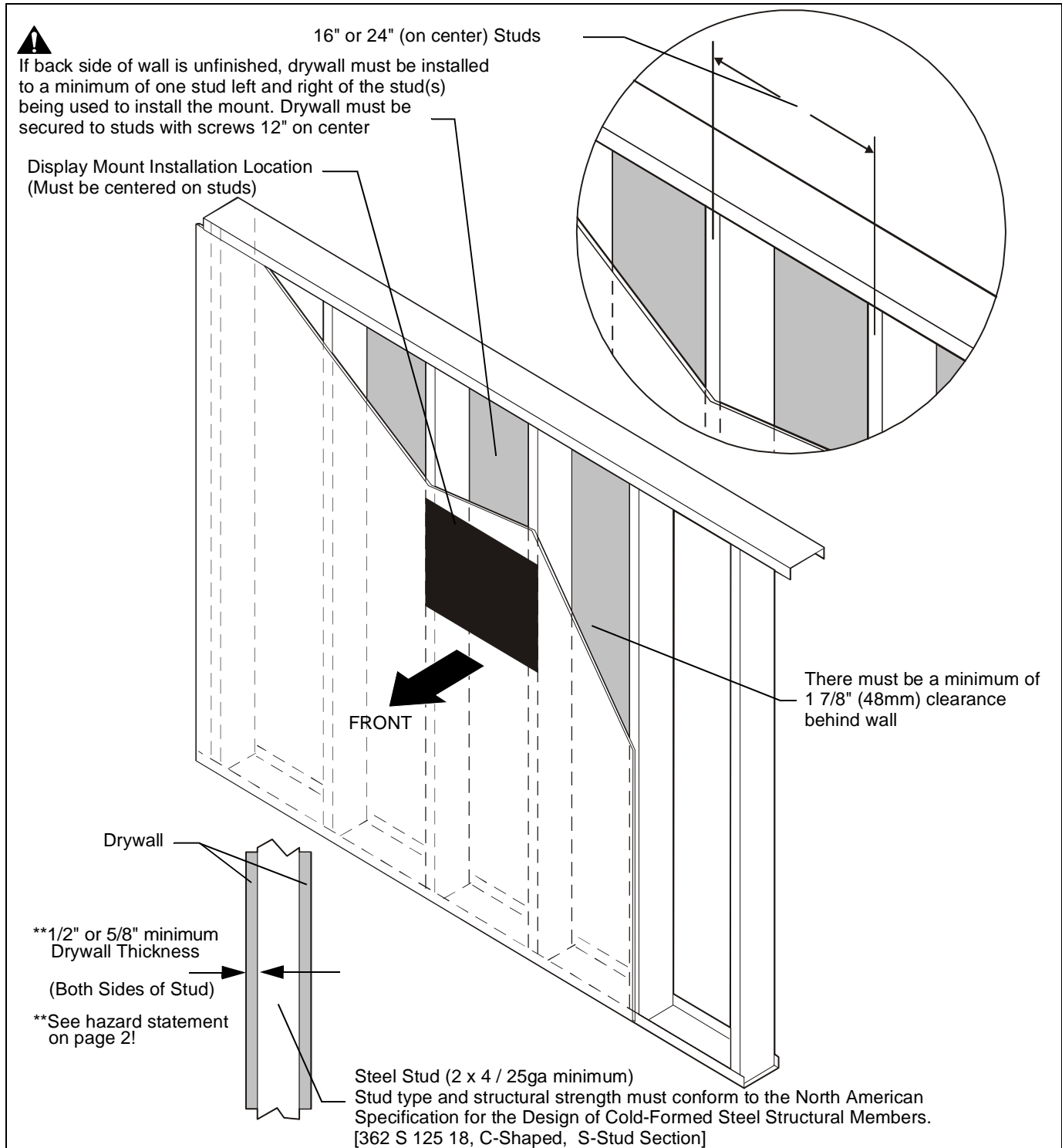


Figure 1

Assemble Swing Arm to Steel Stud Wall Plate

To assemble the mount:

1. Orient swing arm and two wall plates (A) as shown in figure below. (See Figure 2)
2. Secure wall plates (A) to swing arm using four 5/16" flat washers (D) and four 5/16-18 lock nuts (B).

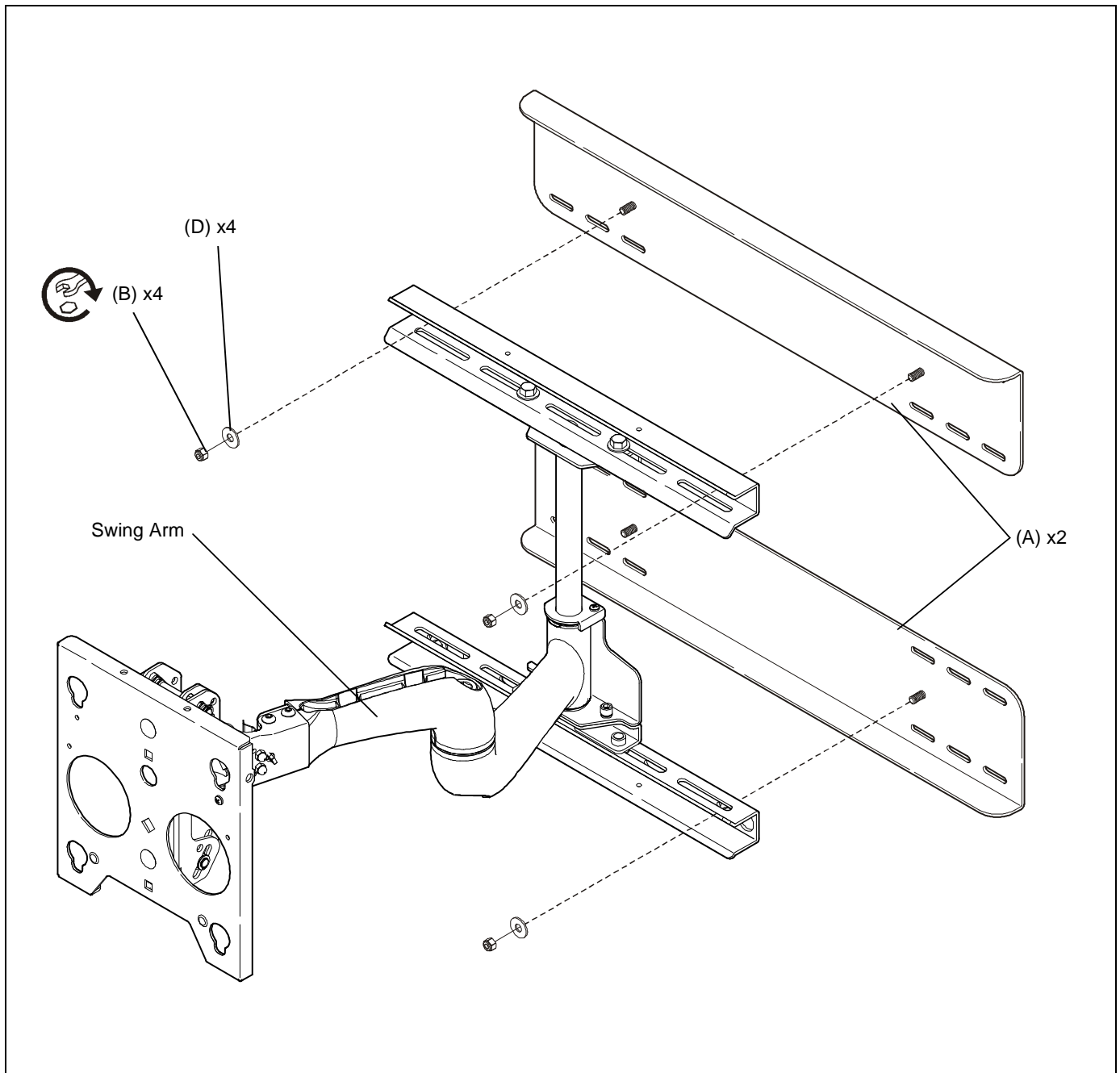


Figure 2

Mount Installation

After determining the site meets the installation requirements:

1. Identify desired mounting location on wall.
2. Using a stud finder or similar method locate studs.
3. Align mounting holes in mount with studs making sure mounting holes are centered on studs.



WARNING: IMPROPER INSTALLATION CAN LEAD TO EQUIPMENT FALLING CAUSING SERIOUS PERSONAL INJURY OR DAMAGE TO EQUIPMENT! Make sure upper and lower mounting holes are used on both sides of both the upper and lower wall plates (A)! (See Figure 3)

4. Mark location of eight mounting holes on wall.
5. Drill eight 1/2" (Ø13mm) holes.

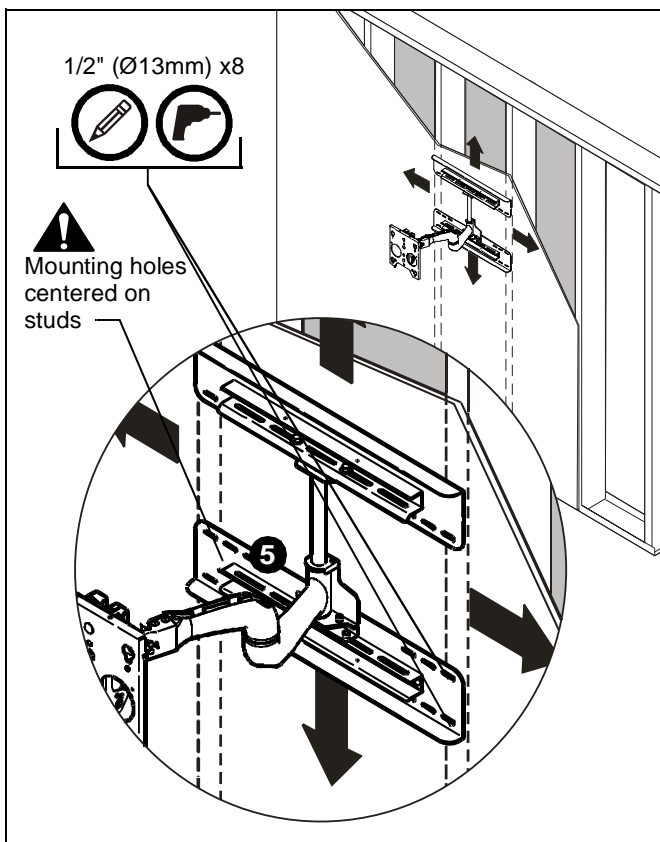


Figure 3

6. Hold metal channel on anchor (F) flat alongside plastic straps and slide channel through hole. (See Figure 4)

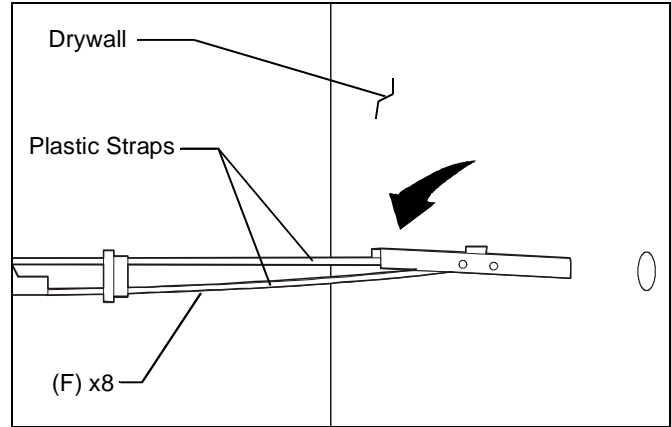


Figure 4

7. Holding plastic straps on anchor (F), pull anchor away from wall until channel rests flush behind wall making sure anchor channel is positioned vertically on stud as show in figues below. (See Figure 5)
8. Slide plastic cap on anchor (F) towards wall until flange of cap is flush with wall. (See Figure 5)

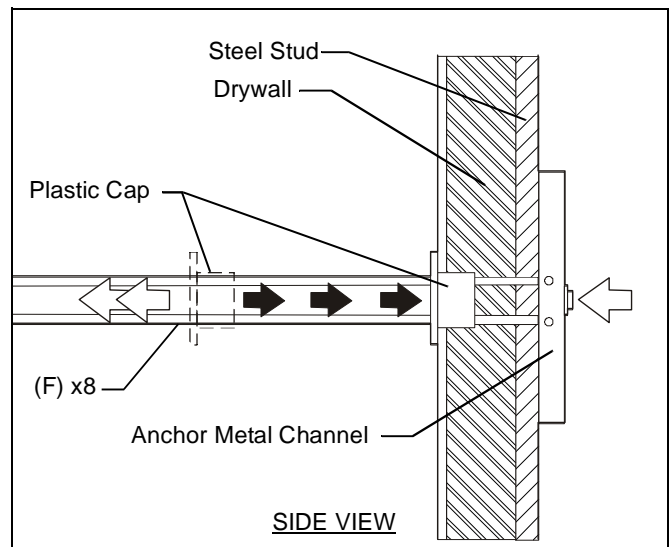


Figure 5

9. Snap off plastic straps on anchor at wall by pushing side to side, snapping off straps level with flange of plastic cap.(See Figure 6)
10. Repeat steps 6 through 9 for each mounting hole.

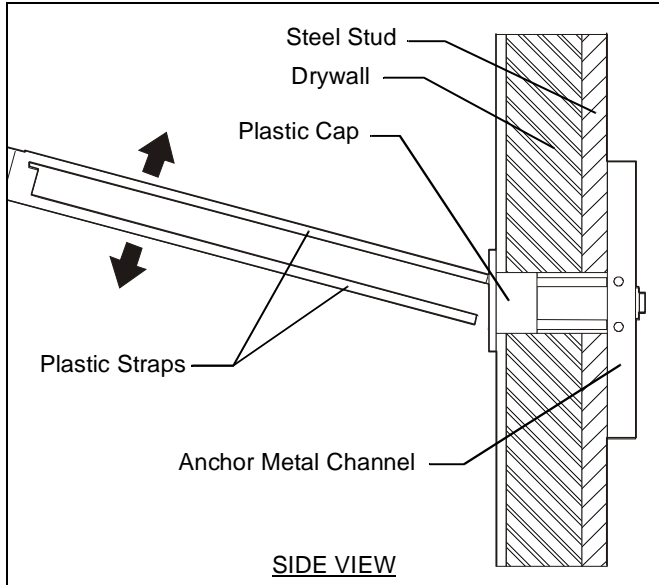


Figure 6

11. Place mount with wall plates (A) over anchors and align mounting holes in wall plates (A) with holes in anchors. (See Figure 7)
12. Place flat washer (C) onto Phillips pan head screw (E). (See Figure 7)
13. Insert Phillips pan head capscrews (E) with flat washer (C) through mounting hole in display mount and into anchor (M) and tighten until flush against mount. DO NOT overtighten! (See Figure 7)



WARNING: IMPROPER INSTALLATION CAN LEAD TO EQUIPMENT FALLING CAUSING SERIOUS PERSONAL INJURY OR DAMAGE TO EQUIPMENT! Overtightening of mounting hardware can damage the steel studs. DO NOT overtighten mounting hardware!

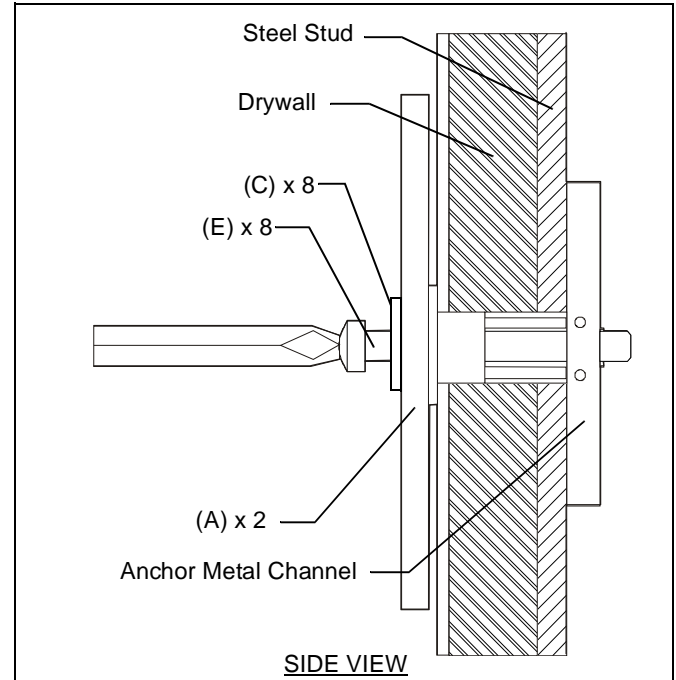


Figure 7

14. Complete mount installation following the installation instructions provided with the mount.



8804-000350 RevC
©2007 Chief Manufacturing
www.chiefmfg.com
08/07

USA/International	A 8401 Eagle Creek Parkway, Savage, MN 55378 P 800.582.6480 / 952.894.6280 F 877.894.6918 / 952.894.6918
Europe	A Fellenoord 130 5611 ZB EINDHOVEN, The Netherlands P +31 40 2668620 F +31 (0) 40 2668615
Asia Pacific	A Room 30I, Block D, Lily YinDu International Building LuoGang, BuJi Town, Shenzhen, CHINA. Post Code: 518112 深圳市布吉罗岗百合银都国际大厦D栋30I P +86-755-8996 9226 ; 8996 9236 ; 8996 9220 F +86-755-8996 9217