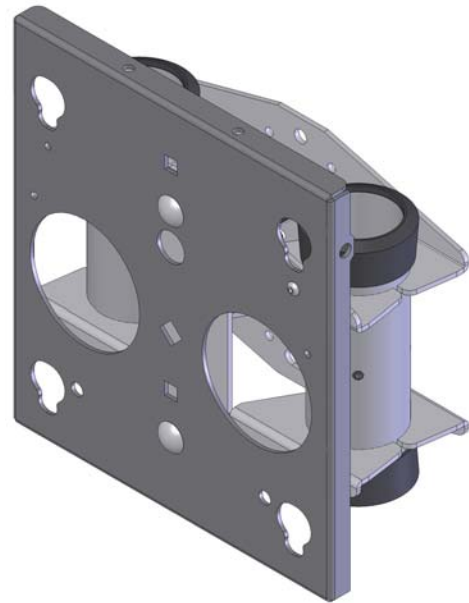

INSTALLATION INSTRUCTIONS

Medium Flat Panel Single Mounting Head (MAC-144)

The MAC-144 Single Mounting Head was designed for use with a medium flat panel and Chief's PFB Series Dual Post Floor Stand and PTC Series carts.



MAC-144

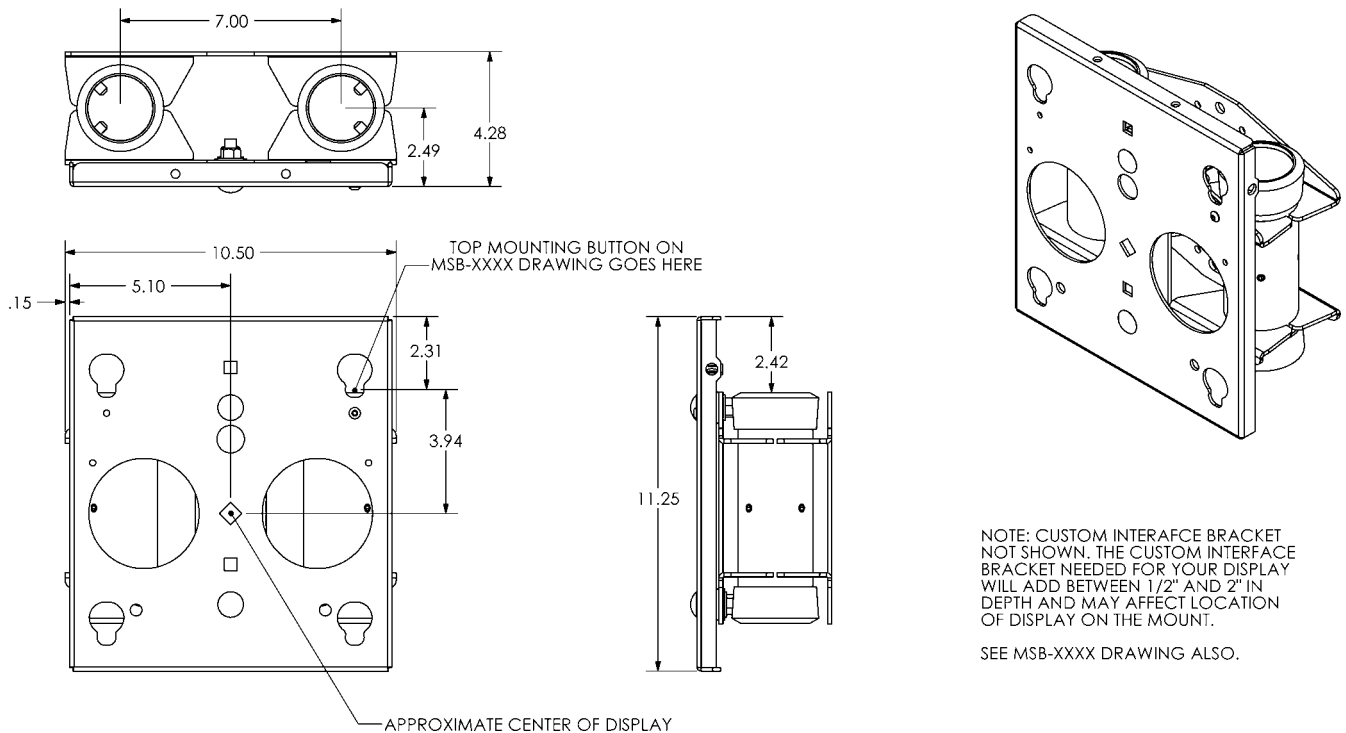
BEFORE YOU BEGIN

- **CAUTION:** To prevent damage to your display (and the MAC-144), which could affect or void the Factory warranty, thoroughly study all instructions and illustrations before you begin to install the mount. Pay particular attention to the Warnings and Cautions in this document.
- For the maximum weight capacity to be installed on the MAC-144, refer Table 2 on page 3.
- If you have any questions about this installation, contact Chief Manufacturing at 1-800-582-6480.

! IMPORTANT WARNINGS and CAUTIONS!

WARNING	A WARNING alerts you to the possibility of serious injury or death if you do not follow the instructions.
CAUTION	A CAUTION alerts you to the possibility of damage or destruction of equipment if you do not follow the corresponding instructions.
• WARNING	Be aware of the potential for personal injury or damage to the equipment if it is not adequately mounted.
• WARNING	WEIGHT SPECIFICATIONS. See Table 2 on page 3.
• WARNING	Watch for pinch points. Do not put your fingers between movable parts.
• CAUTION	Check the unit for shipping damage before you begin the installation.

DIMENSIONAL DRAWING



NOTE: CUSTOM INTERAFCE BRACKET NOT SHOWN. THE CUSTOM INTERFACE BRACKET NEEDED FOR YOUR DISPLAY WILL ADD BETWEEN 1/2" AND 2" IN DEPTH AND MAY AFFECT LOCATION OF DISPLAY ON THE MOUNT.
SEE MSB-XXXX DRAWING ALSO.

CONTENTS

DIMENSIONAL DRAWING.....2
 TOOLS REQUIRED FOR INSTALLATION3
 INSPECT THE UNIT BEFORE INSTALLING3
 PARTS LIST.....3
 PARTS3
 WEIGHT SPECIFICATIONS3
 INSTALLATION.....4
 Attach MAC-144 to Dual Post4
 Mount the Display5
 Roll Adjustment6
 REMOVE THE DISPLAY6

TOOLS REQUIRED FOR INSTALLATION

- 5/32” Hex wrench (provided)

NOTE: Other tools may be required depending on your method of installation.

INSPECT THE UNIT BEFORE INSTALLING

WARNING: Watch for pinch points. Do not put your fingers between movable parts.

1. Carefully inspect the mount for shipping damage. If any damage is apparent, call your carrier claims agent and do not continue with the installation until the carrier has reviewed the damage.

NOTE: Read all instructions before starting installation.

2. Lay out components to ensure you have all the required parts before proceeding (see Figure 1). If you are missing any of the listed parts, contact Customer Service at: 1-800/582-6480.

PARTS LIST

Unpack the shipping carton and check for the contents listed in Table 1 and shown in Figure 1.

Table 1. Parts List

REF	DESCRIPTION	QTY
10	SINGLE MOUNTING HEAD, assembly	1
20	SETSCREW, 5/16-18 x 1/2”	4
30	HEX KEY, 5/32”	1

PARTS

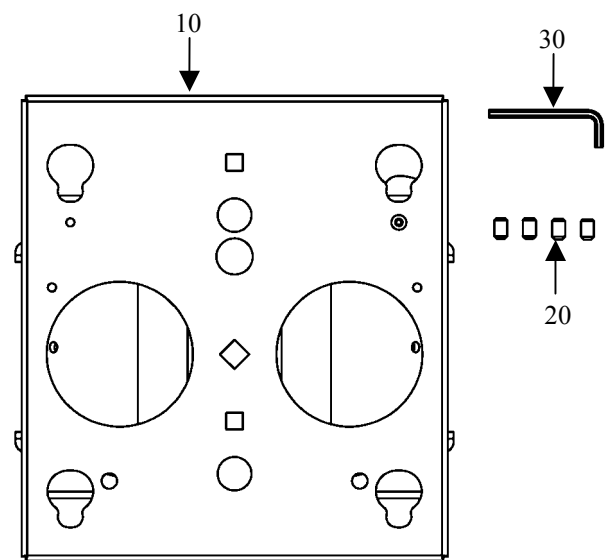


Figure 1. Parts

WEIGHT SPECIFICATIONS

Table 2 provides the weight specifications for a floor stand and cart. Do not exceed the maximum support weight, defined as the combined load of all attached components that can be installed in the mount.

Table 2. Weight Specifications

Product	Max. Support Weight*
PFB Dual Post Floor Stand	300 lbs (136.4 kg)*
PTC Mobile Cart	150 lbs (68.8 kg)*

* Maximum support weight capacity includes weight of display and weight of the mount.

INSTALLATION

To install the MAC-144 assembly, do the following:

Attach MAC-144 to Dual Post

1. Using the 5/32" hex key (30), insert two setscrews (20) into each collar on the MAC-144 (10). See Figure 2.

WARNING: Exercise caution when lifting the MAC-144 assembly onto the dual post to avoid personal injury.

2. With an assistant, install the MAC-144 (10) onto the dual post as shown in Figure 3.
3. Adjust the MAC-144 (10) to the desired height on the dual post.
4. Tighten the setscrews.

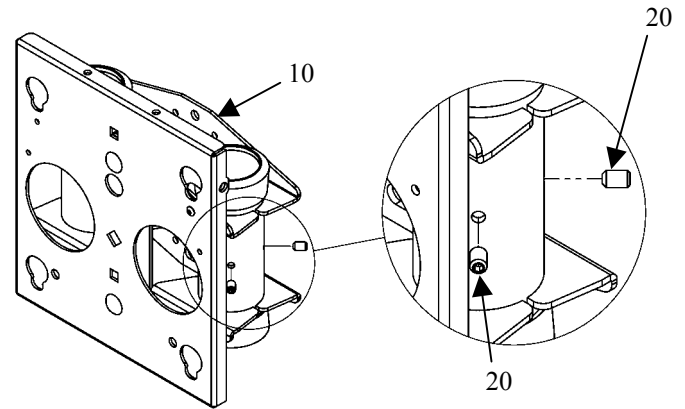


Figure 2. Insert Setscrews Loosely (4 Places)

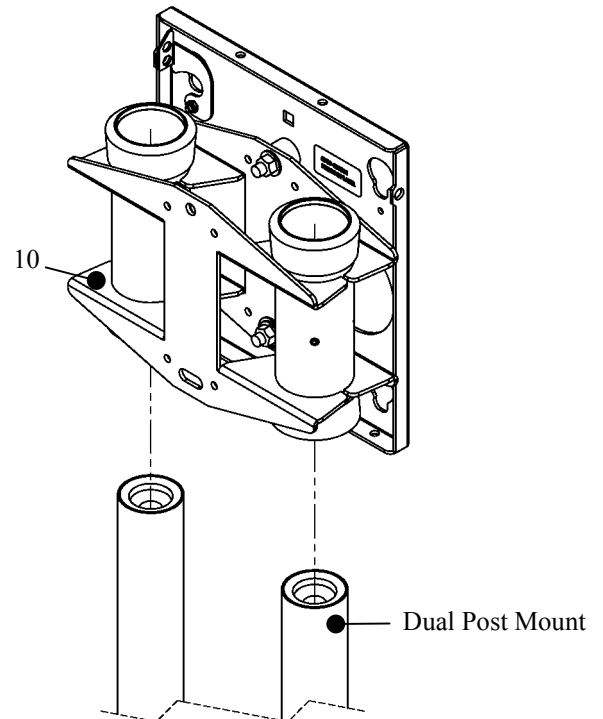


Figure 3. Mount the MAC-144

Mount the Display

1. Following the instructions for mounting the MSB interface bracket of your specific plasma display panel, install the mounting bracket on your plasma display panel (see Figure 4).

NOTE: Make sure power is not supplied (turned off) to the display and the Q-latch is in the unlocked (open) position before attempting to mount the display (see Figure 4 and Figure 6).

2. With an assistant, lift the display up to the mount. Slide the display down over the mounting plate of the MAC-144. Make sure mounting buttons (on MSB interface bracket) fully engage all the teardrop slots on the mounting plate.
3. Secure the mounting bracket to the MAC-144 by completely engaging the Q-latch in the locked (closed) position (see Figure 5 and Figure 7).

WARNING: Make sure the Q-latch is completely engaged at all times except when removing the display.

NOTE: A padlock may be used on the Q-latch for increased security.

4. Connect and secure power/audio/video cables (not shown).

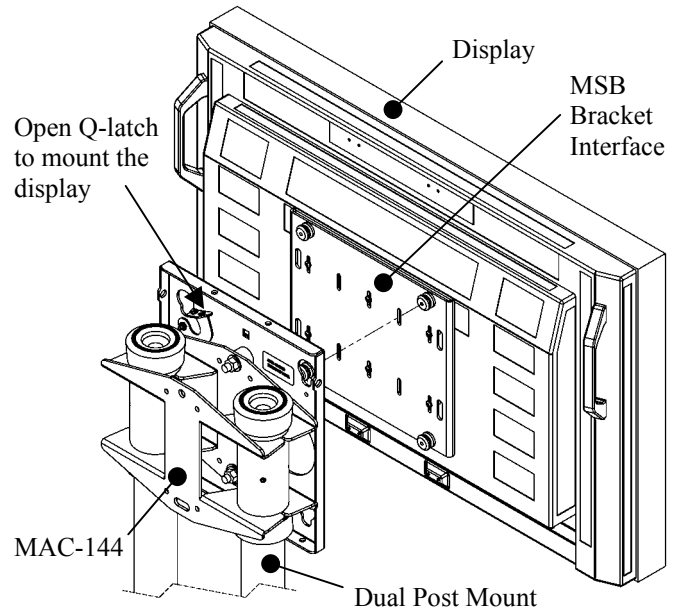


Figure 4. Mount the Display

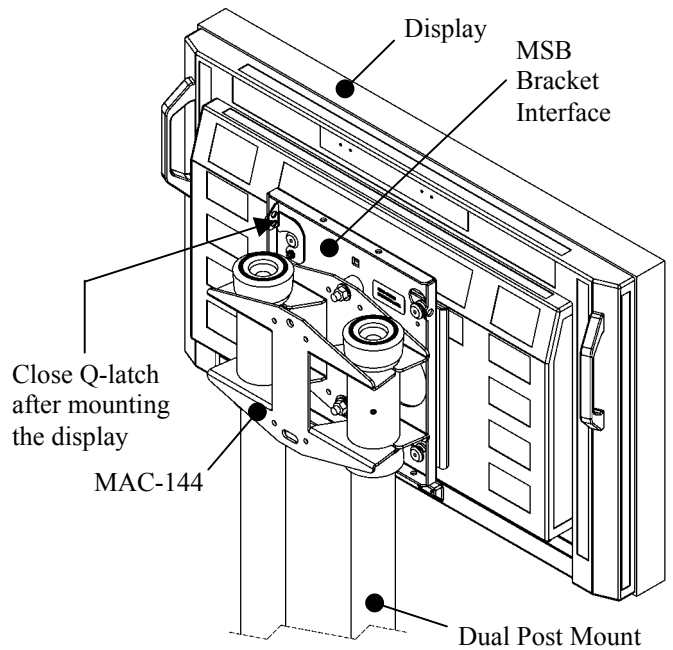


Figure 5. Engage Q-Latch with Mounting Buttons



Figure 6. Open Q-Latch



Figure 7. Close Q-Latch

Roll Tension Adjustment

The faceplate on MAC-144 is designed to provide 2 degrees of roll adjustment (see Figure 8). Roll adjustment is accomplished by shifting the faceplate, right or left, as needed until the faceplate is level.

NOTE: Roll tension is preset at the factory. If the display does not remain in the desired position, perform the roll tension adjustment procedure.

PROCEDURE

To adjust roll tension, partially loosen or tighten the roll adjustment nuts, as needed (see Figure 9).

REMOVE THE DISPLAY

1. Disconnect power/audio/video cables.
2. Disengage (lower) the Q-latch.
3. With an assistant, lift the display from the MAC-144.

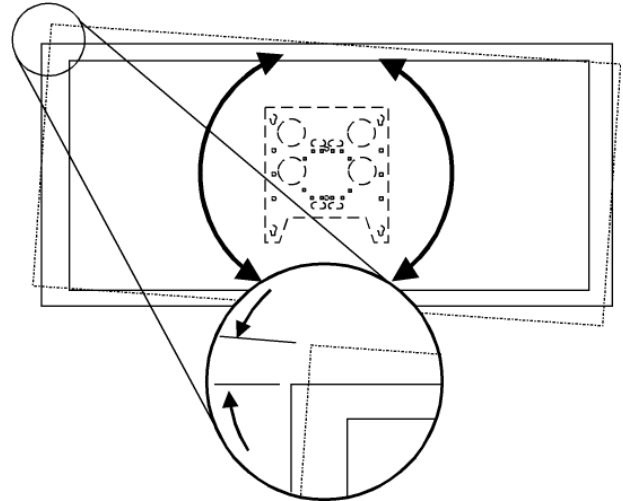


Figure 8. Roll Adjustment – Illustration

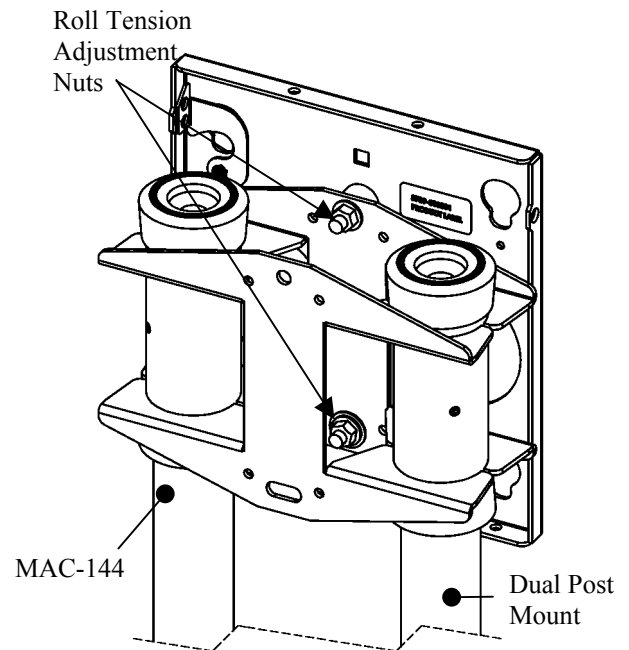


Figure 9. Adjust Roll Tension on Faceplate