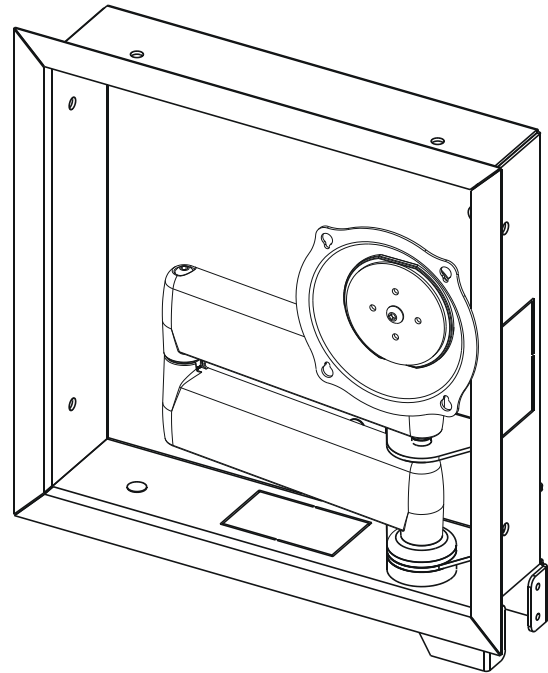

INSTALLATION INSTRUCTIONS

MEDIUM FLAT PANEL IN WALL ENCLOSURE

Model: MAC-500

Specifications:

- Designed for in-wall installation between two wood studs, 16" on center.
- Accommodates JWD swing arm mount.
- Cutouts provided for single gang electrical box.
- Weight capacity of 75 lbs (34 kg).



BEFORE YOU BEGIN



WARNING: It is the installer's responsibility to make sure all components are properly assembled and installed using the instructions provided. Failure to read, thoroughly understand, and follow all instructions can result in serious personal injury, damage to equipment, or voiding of factory warranty.

- If you have any questions about these instructions or your specific installation, contact Chief Manufacturing at 1-800-582-6480 or 952-894-6280.



CHIEF MANUFACTURING INC.
1-800-582-6480 952-894-6280 FAX 952-894-6918
8401 EAGLE CREEK PARKWAY
SAVAGE, MINNESOTA 55378 USA

8805-000173 Rev. F
©2007 Chief Manufacturing
www.chiefmfg.com
05/07

! IMPORTANT WARNINGS AND CAUTIONS!

WARNING: A WARNING alerts you to the possibility of serious injury or death if you do not follow the instructions.

CAUTION: A CAUTION alerts you to the possibility of damage or destruction of equipment if you do not follow the corresponding instructions.



WARNING: It is the installer's responsibility to make sure the structure to which this unit is attached can support five times the combined weight of all equipment. Reinforce the structure as required before installing the unit. Failure to provide adequate structural strength for this unit can result in serious personal injury or damage to equipment!



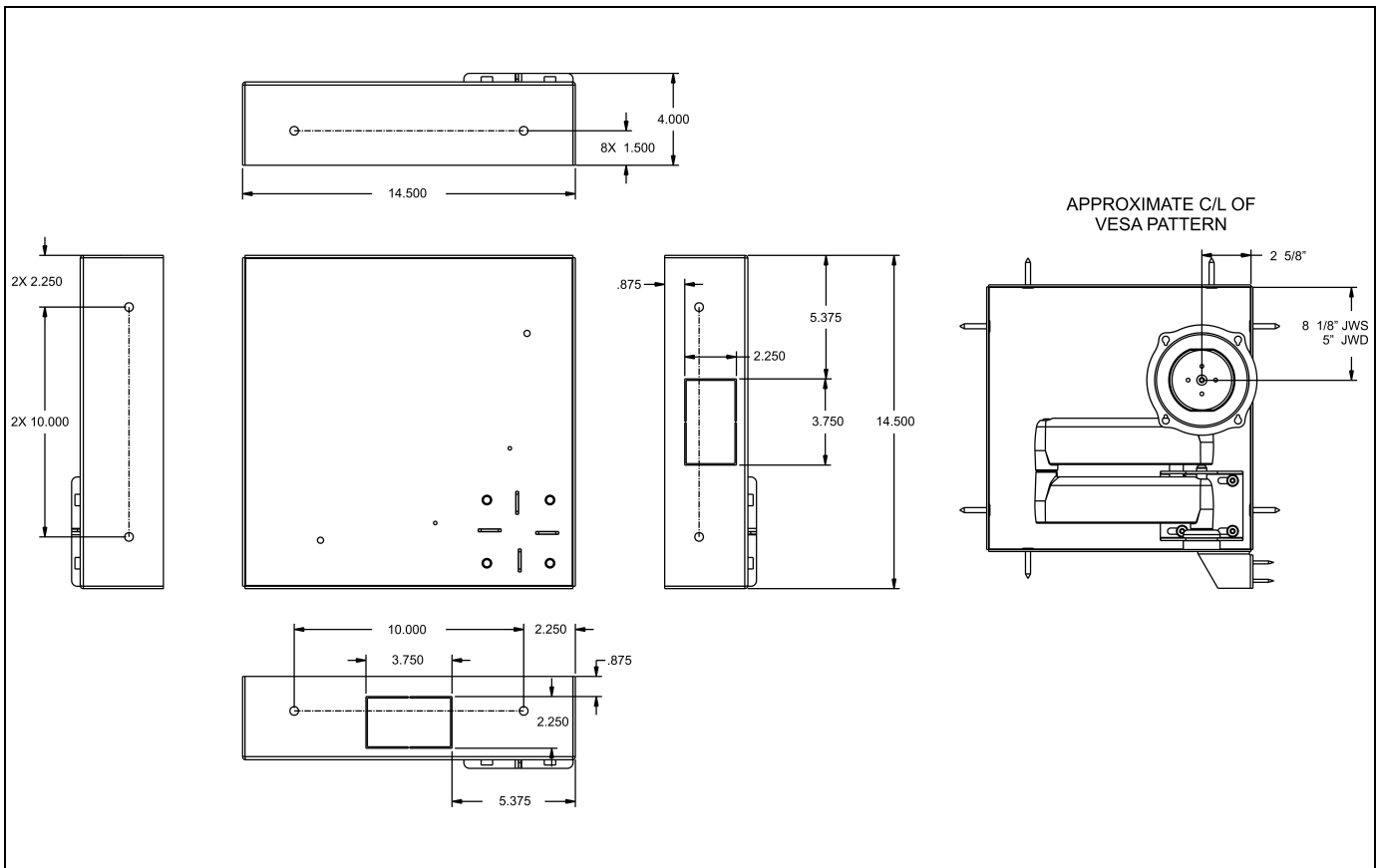
WARNING: It is the installer's responsibility to make sure the combined weight of the display, accessories, and any other attached equipment must not exceed 75 lbs (34 kg), the maximum support weight of this unit. Exceeding the maximum support weight can result in serious personal injury or damage to equipment!



WARNING: Watch for pinch points. Do not put your fingers between movable parts.

NOTE: This product contains Synco Chemical Corporation Super Lube grease, P/N 82340 (Ref. Table 1, Item 220). For additional information contact Synco Chemical Corporation, 24 DaVinci Drive, Bohemia, New York 11716; Phone 631-567-5300; www.super-lube.com.

DIMENSIONS



TOOLS REQUIRED FOR INSTALLATION

- Stud Sensor
- Level
- Saw
- Tape Measure
- #2 Phillips Screwdriver
- 1/4" Hex Key (provided)
- 3/16" Hex Key (provided)
- 4mm Hex Key (provided)
- 4mm Hex Bit (provided)

NOTE: Other tools may be required depending on your method of installation.

PARTS

After unpacking carton, inspect and verify contents (See Figure 1). If any listed parts are missing or damaged, contact Chief Customer Service at 1-800-582-6480.

Table 1: Parts

Item	Description	Qty
10	HOUSING, In-Wall	1
20	MOULDING	4
30	BRACKET, Mount Arm Support	1
40	SCREW, Socket Head Cap, 5/16"-18 x 4"	1
50	SPACER, Upper	1
60	WASHER, 0.318" ID Nylon	1
70	WASHER, 0.320" ID Stainless Steel	1
80	PIN, Mount Arm	1
90	SUPPORT, Pin	1
100	SPACER, Lower	1
110	SCREW, Pan Head Wood, #8 x 1-1/4"	4
120	BOLT, Connector, 7mm x 40mm	7
130	BRACKET, Housing Support	1
140	SCREW, Button Head Cap, 5/16"-18 x 5/8"	4
150	WASHER, Lock, Split, 5/16"	4
160	WASHER, Flat, Machine Screw, 1/4"	4
170	SCREW, Phillips Pan Head, Self Drilling, #10 x 1"	1
180	BUMPER, Large	1
190	BUMPER, Small	1
200	COVER, White, 9/16" diameter	2
210	TAPE, Foam, Square	18
220	GREASE, 1 CC (Synco Chemical Corp., Super Lube, P/N 82340)	1
230	BIT, Hex, 4mm	1
240	KEY, Hex, 4mm	1
250	KEY, Hex, 3/16" (slightly larger than 240 above)	1
260	KEY, Hex, 1/4"	1
270	SCREW, Hex Head Cap, M12 x 20mm	1
---	ELECTRICAL BOX (optional, not supplied)	1

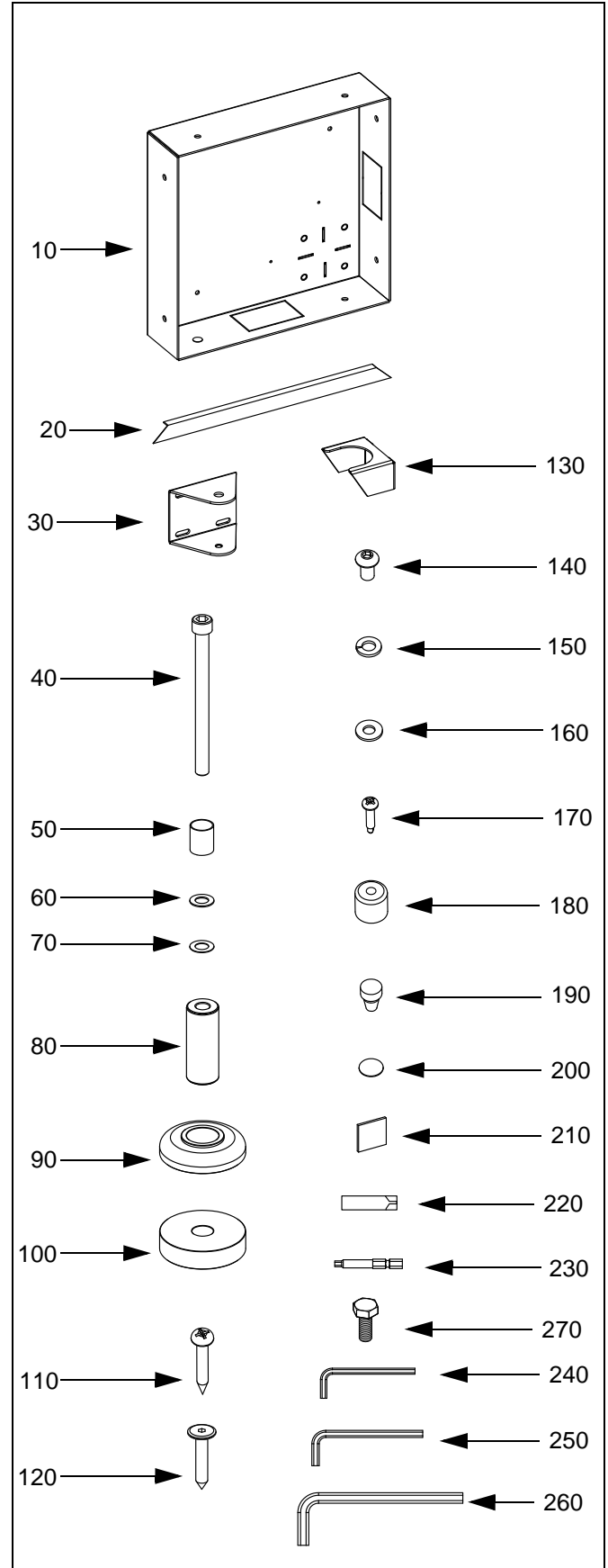


Figure 1: Parts

INSTALLATION AND ASSEMBLY

The following instructions are applicable to:

- Installation between two 2x4 studs, 16" on center; other installations are possible with increased framing complexity
- JWD swing arm mount installed in either lower left or lower right corner of enclosure

OPEN WALL

1. Determine approximate mounting location, keeping in mind the display size.

! IMPORTANT: Installation of housing (10) in a 2x4 wall results in direct contact with studs and opposite (back) wall. Inadequate space will remain for electrical wires/cables, plumbing, ductwork, or insulation. Locate housing (10) accordingly.

NOTE: JWD mounting head will not be centered in housing (10), but will be offset to the left or right (as desired) approximately 4-5/8".

2. Use a stud sensor to locate applicable wood studs. Mark locations with a pencil.
3. Center and level housing (10) between marked studs. Using housing (10) as a template, draw pencil line completely around housing (10) (See Figure 2).

NOTE: Housing (10) is designed to fit between and directly against two adjacent wall studs.

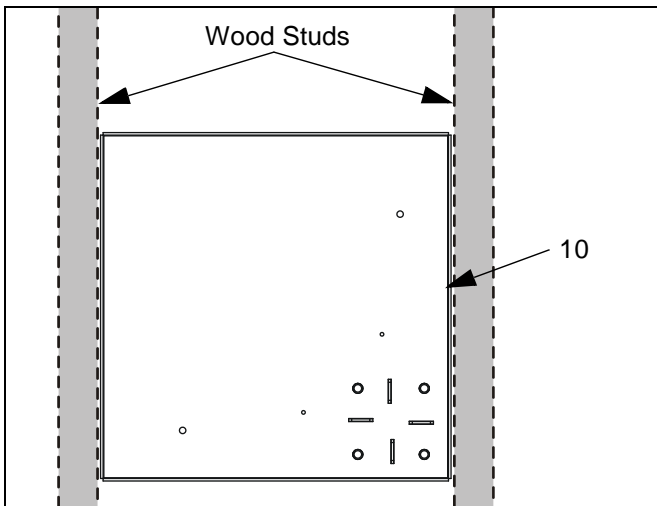


Figure 2: Open Wall

! WARNING: ELECTRICAL SHOCK HAZARD! Cutting or drilling into electrical wires and cables can cause DEATH or SERIOUS PERSONAL INJURY! ALWAYS make certain area behind mounting surfaces is free of electrical wires and cables before cutting, drilling, or installing mount fasteners.

! WARNING: EXPLOSION AND FIRE HAZARD! Cutting or drilling into gas plumbing can cause DEATH or SERIOUS PERSONAL INJURY! ALWAYS make certain area behind mounting surfaces is free of gas, water, waste, or any other plumbing before cutting, drilling, or installing mount fasteners.

4. Cut drywall on *outside* edge of line (to facilitate installation of housing (10)) and remove.

INSTALL HOUSING

1. Prepare cavity for housing (10):
 - Option 1: Position bracket (130) against inner surface of stud, slightly above lower drywall edge (See Figure 3). Ensure bracket (130) is located below corner of housing (10) where bracket (30) will be installed. Using Phillips screwdriver, install four screws (110). Tighten securely.
 - Option 2: Install upper and lower horizontal 2x4 framing; lower framing replaces bracket (130) (See Figure 5). If applicable, cut rectangular hole in lower framing to accommodate electrical box.

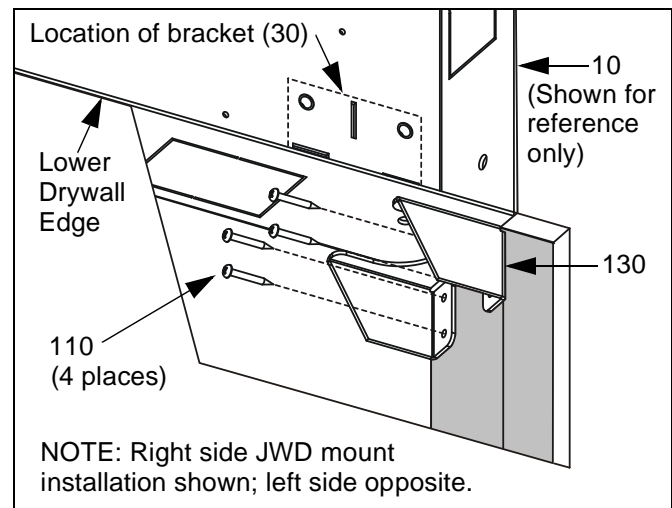


Figure 3: Option 1 - Prepare Cavity for Housing

! WARNING: ELECTRICAL SHOCK AND FIRE HAZARD! Consult a qualified electrical contractor and applicable electrical codes. Failure to take adequate precautions can cause DEATH or SERIOUS PERSONAL INJURY!

2. If applicable, attach electrical box to bottom of housing (10) and connect electrical wiring. Ensure proper electrical cutout is used in housing (10) to locate bracket (30) in left or right side, as desired.
3. Insert housing (10) into cavity and secure as follows:

NOTE: Housing (10) is not attached to bracket (130).

NOTE: Ensure housing (10) is in direct contact with studs at all attach points. If gap exists due to twisted, bowed, or improperly spaced studs/framing, then shim as necessary (shims not included).

- Option 1 (with bracket (130)): Using key (240) or bit (230) install 4 bolts (120) through sides of housing (10) into studs (See Figure 4). Tighten securely.
- Option 2 (with framed-in housing (10)): Using key (240) or bit (230) install 7 bolts (120) through housing (10) into studs/framing (See Figure 5). Tighten securely.

NOTE: To accommodate either left or right side installation of bracket (30), two bolt holes are provided in the lower panel of housing (10). Do not install lower bolt (120) in corner where bracket (30) will be installed.

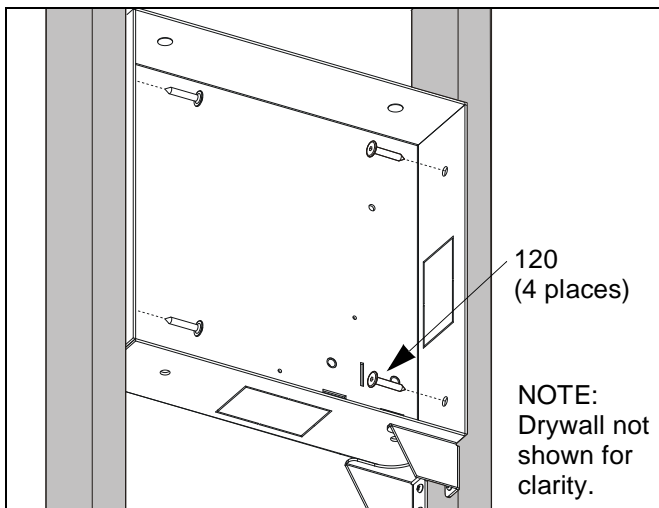


Figure 4: Option 1 - Secure Housing

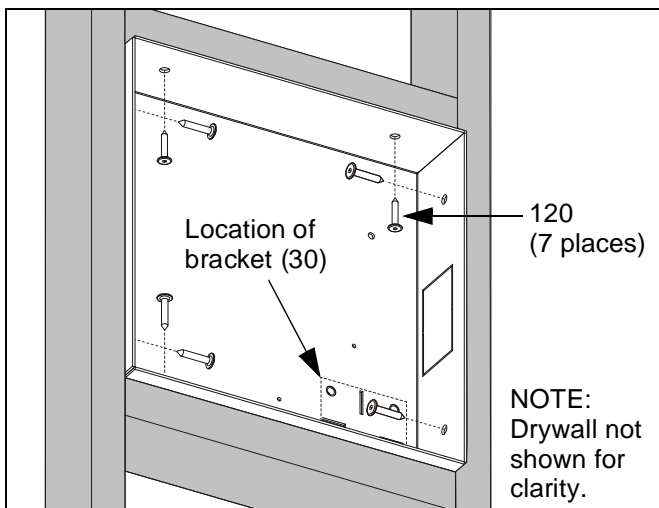


Figure 5: Option 2 - Secure Housing

INSTALL MOUNT ARM SUPPORT BRACKET

1. Insert spacer (100) over nut protruding from lower portion of bracket (30) and place assembly into housing (10) (See Figure 6).

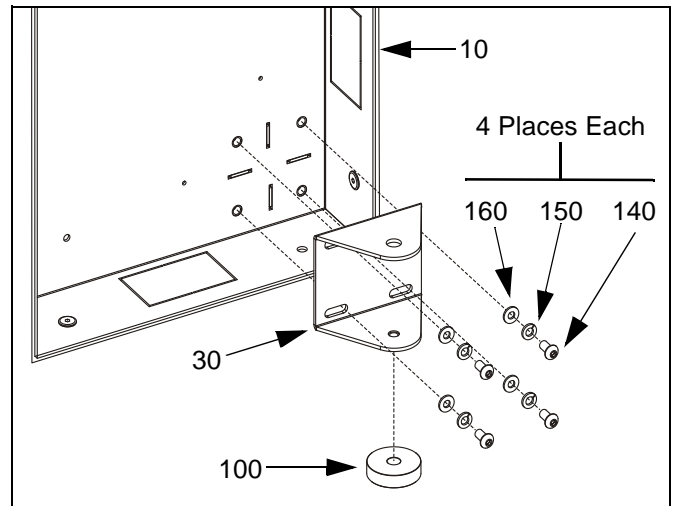


Figure 6: Install Mount Arm Support Bracket

2. Using key (250), attach bracket (30) to housing (10) with screws (140), washers (150), and washers (160) (See Figure 6). Tighten securely.

REMOVE JWD MOUNT ARM ASSEMBLY

NOTE: See instructions that came with JWD mount for specific display attachment information.

1. Disconnect all cables from display.
- NOTE:** Cables can remain installed in mount arm channel(s).
2. Remove lower two screws attaching Centris bracket to display (or interface bracket, if used). Retain screws (and spacers, if used).
3. Loosen upper two screws attaching Centris bracket to display (or interface bracket, if used). Do not remove screws.

WARNING: Display may be heavy! Ensure display can be safely lifted and maneuvered as required to remove from mount. Failure to take adequate precautions can result in serious personal injury or damage to equipment!

4. Lift and maneuver display out of Centris bracket. Place display on protective surface.
5. Using key (250), remove arm attach screw and three washers from JWD mount (See Figure 7). Place mount assembly on protective surface.

NOTE: Screw and washers will not be reused in MAC-500 installation.

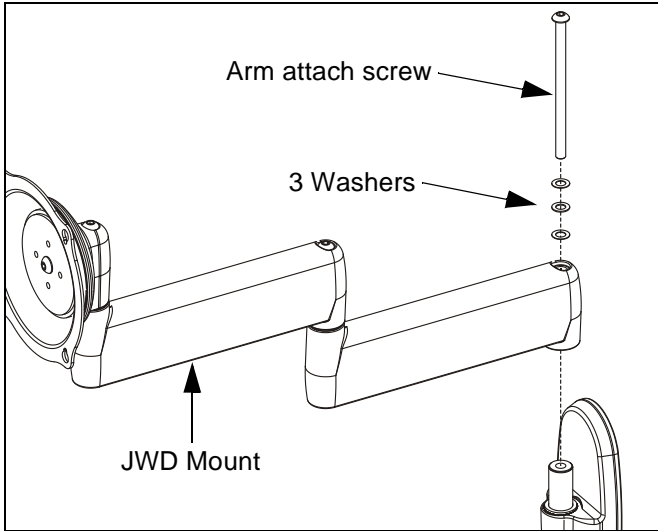


Figure 7: Remove JWD Mount Arm Assembly

INSTALL JWD MOUNT ARM ASSEMBLY

1. Insert pin (80) into support (90).
2. Lightly coat exposed portion of pin (80) with grease (220).
3. While holding mount arm, insert washer (70) and washer (60) into upper arm bore, and insert lubricated pin (80) and support (90) into lower arm bore (See Figure 8).

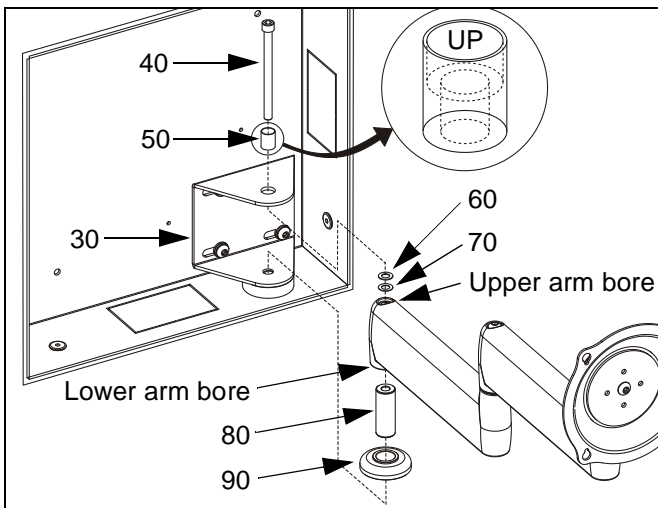


Figure 8: Install JWD Mount Arm Assembly

4. While holding assembly together from previous step, insert assembly into bracket (30), followed by spacer (50) and screw (40) (See Figure 8). Ensure spacer (50) is inserted with the larger opening up.
5. Using key (260), securely tighten screw (40), then loosen as necessary to achieve desired arm friction.

6. Using Phillips screwdriver, insert screw (170) into recess in bumper (180) and install into fastener hole above bracket (30) (See Figure 9).
7. Install bumper (190) by pushing into far left side hole (for right side bracket (30) installation), or into far right side hole (for left side bracket (30) installation) (See Figure 9).
8. Install covers (200) over two unused holes in back wall of housing (10) (See Figure 9).
9. Finish housing (10) edge gaps:
 - Moulding (20) may be installed. First apply tape (210) to inner surface of long leg of moulding, then press moulding into place (See Figure 9).
 - Other (optional) framing may be installed.
 - Housing edge gaps may be filled with (optional) drywall compound or other filler material.

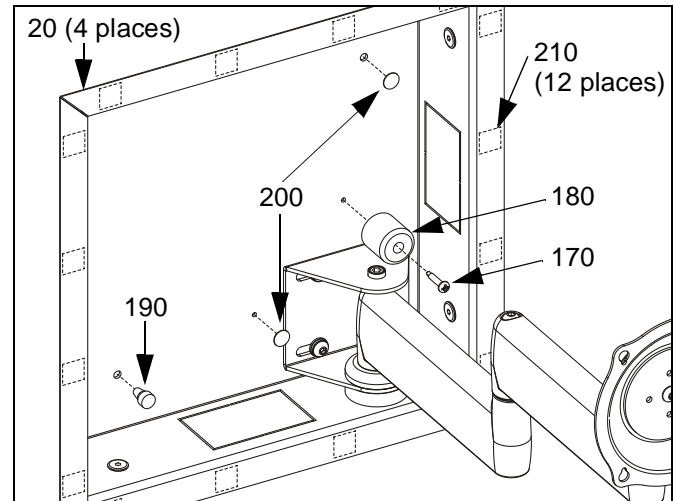


Figure 9: Final Assembly

INSTALL DISPLAY

NOTE: See instructions that came with JWD mount for specific display installation procedures.



WARNING: Display may be heavy! Ensure display can be safely lifted and maneuvered as required to install to mount. Failure to take adequate precautions can result in serious personal injury or damage to equipment!

1. Lift and maneuver display into Centris bracket.
2. Install lower two screws (and spacers, if used) attaching Centris bracket to display (or interface bracket, if used). Tighten screws.
3. Tighten upper two screws attaching Centris bracket to display (or interface bracket, if used).
4. Attach all cables to display.