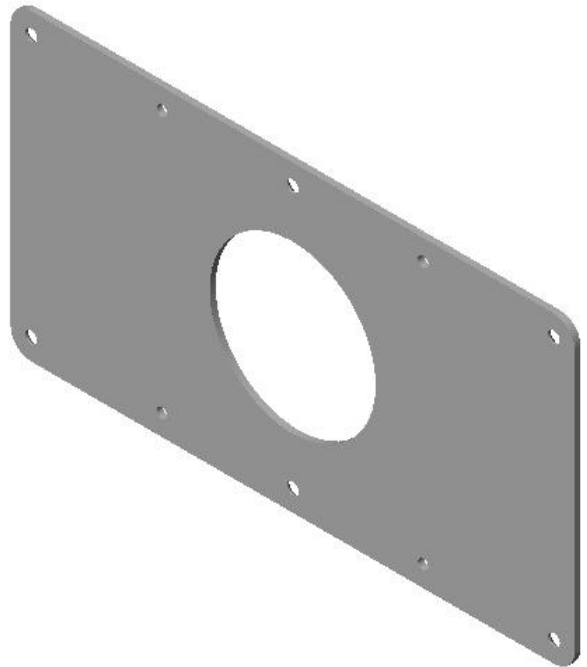

INSTALLATION INSTRUCTIONS

MSBDisplay Static Mount Model MSB-4101



BEFORE YOU BEGIN

Unpack carton and verify contents.

If you are missing any of the components shown on page 2, or you have any questions about this installation, contact Chief Manufacturing Customer Service at 1-800/582-6480

PARTS

WARNING: FLAT PANEL DISPLAYS ARE EXTREMELY FRAGILE. If Display uses a screw size other than M4, DO NOT use M4 screws provided. Monitor damage could occur.

ITEM	DESCRIPTION	QTY.
10	Interface Bracket	1
20	1/8" Nylon Spacers	6
30	M4 X 8mm Phillips Pan Head Screws	4
40	M4 X 16mm Phillips Pan Head Screws	6

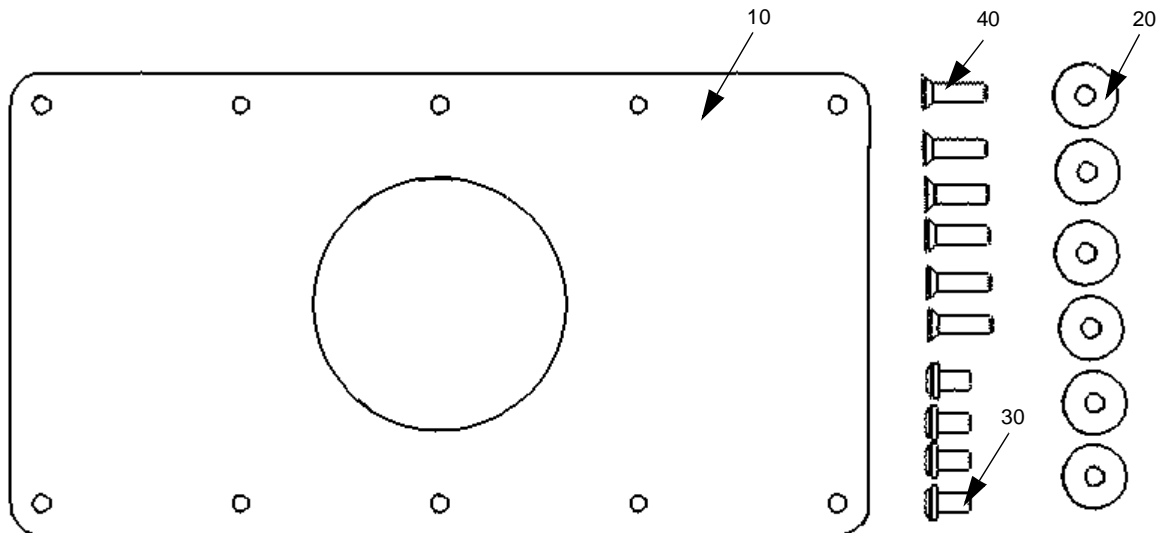


Figure 1: Parts

Install Interface Bracket

1. Using six 1/8" Nylon Spacers (20) and six M4 x 16mm Phillips Flat head Screws (40), attach Interface Bracket (10) to display (see Figure 2).
2. Using a Phillips Screwdriver, tighten Centris Adjustment Screw (see Figure 3).
3. Install two M4 x 8mm Phillips Pan Head Screws (30) into upper mounting holes in Interface Bracket (10) (see Figure 4).
4. Hang display on Centris Mount Interface.
5. Install one M4 x 8mm Phillips Pan head Screw (30) into one of the lower mounting holes in interface bracket (10) and tighten three screws (see Figure 5).
6. Test Centris adjustment by tilting the display up and down.

NOTE: If display sags: Remove lower screw (refer to Step 5), loosen the two top screws, remove the display, re-adjust the Centris adjustment screw, and repeat steps 4 and 5 above.

7. Install remaining M4 x 8mm Phillips Pan head Screw (30) into lower mounting hole in interface bracket (10) and tighten (see Figure 6).

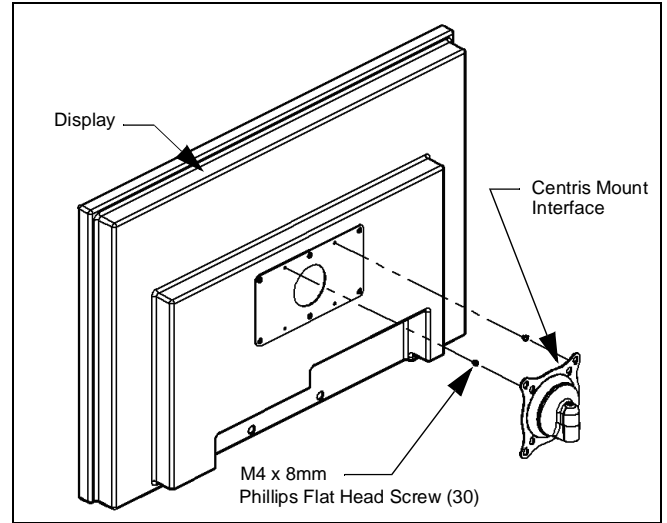


Figure 4: Install Upper Mounting Screws

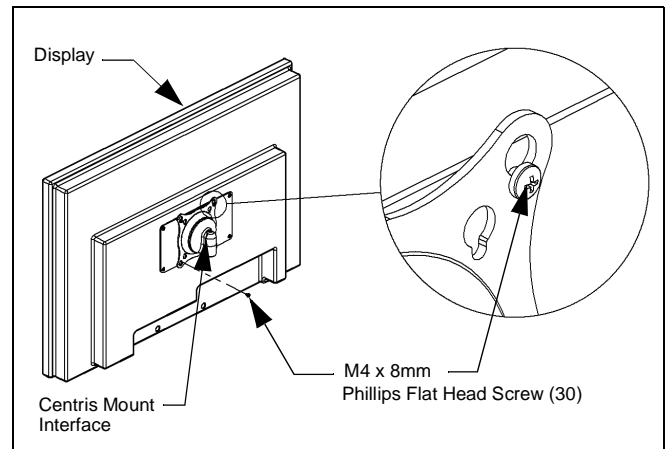


Figure 5: Tighten Upper Mounting Screws

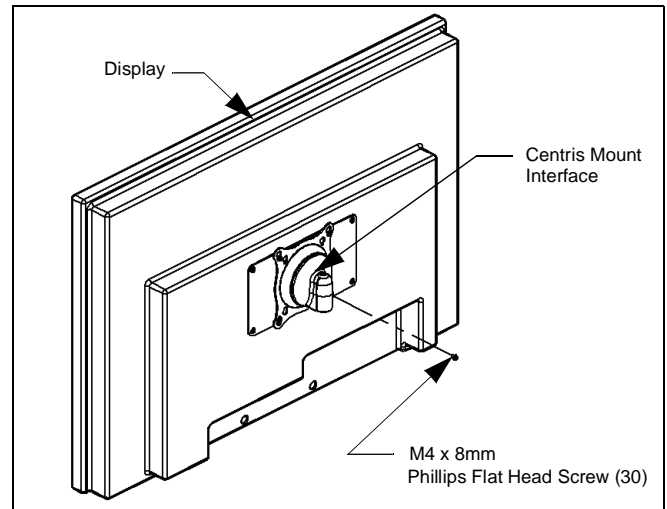


Figure 6: Tighten Lower Mounting Screws

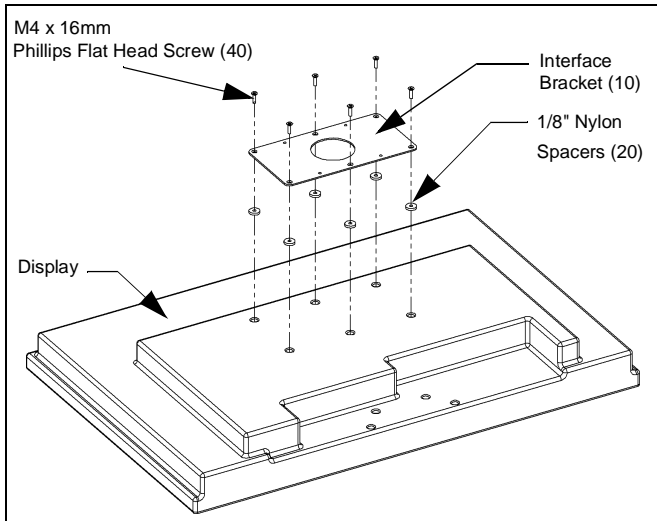


Figure 2: Secure Interface Bracket to Display

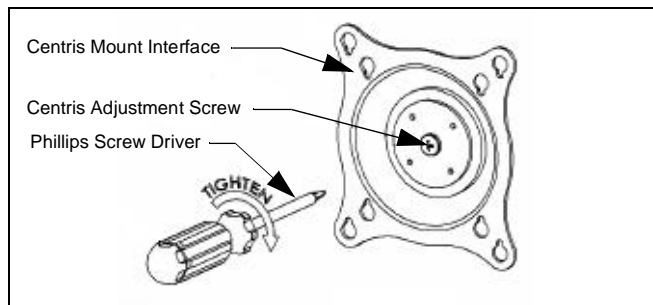


Figure 3: Tighten Centris Adjustment Screw

