

INSTALLATION INSTRUCTIONS

MSB-6040 DISPLAY MOUNTING BRACKET

Prior to assembly, unpack carton completely and verify contents.

If you are missing any of the following components, please contact Customer Service at 1-800/582-6480

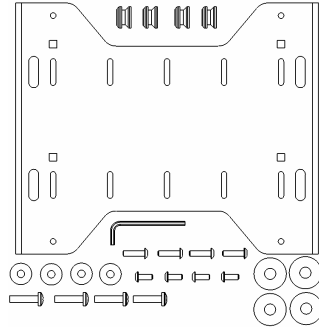


Figure 1

- | | |
|---------------------------------------|---------------------------------------|
| (1) Interface Bracket | (4) Mounting Button - Tapped |
| (4) 10-24 x .5 Button Head Cap Screw | (4) M6 x 25mm Phillips Head Cap Screw |
| (4) .75 x .26 x .375 Nylon Spacer | (1) 1/8" Allen Key |
| (4) 10-24 X .75 Button Head Cap Screw | (4) 1.12 X .39 X .125 Nylon Spacer |

BEFORE PROCEEDING, READ INSTALLATION INSTRUCTIONS COMPLETELY

CAUTION!

DISPLAYS ARE EXTREMELY FRAGILE.

WARNING!

ALL COMPONENTS MUST BE SECURELY FASTENED TO A STRUCTURAL MEMBER CAPABLE OF SUPPORTING 4 TIMES THE COMBINED WEIGHT OF ALL COMPONENTS PLUS THE EQUIPMENT BEING MOUNTED. IF IT CANNOT SUPPORT THIS WEIGHT, THE STRUCTURE MUST BE REINFORCED. THE MAXIMUM WEIGHT TO BE INSTALLED ON THE INTERFACE IS 125 POUNDS (79.38 KG).

1. Using a 10-24 button head cap screw inserted from back side of bracket, secure mounting button, with chamfered hole of mounting button (larger surface) facing bracket, bracket (four places) (see Figure 2 & Figure4). If extra clearance is needed use the .125" thick spacer and longer 10-24 screw (see figure3).

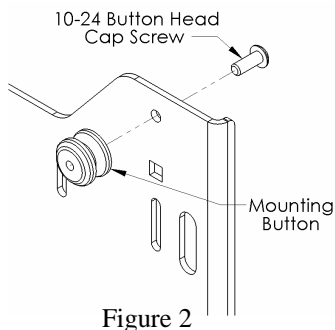


Figure 2

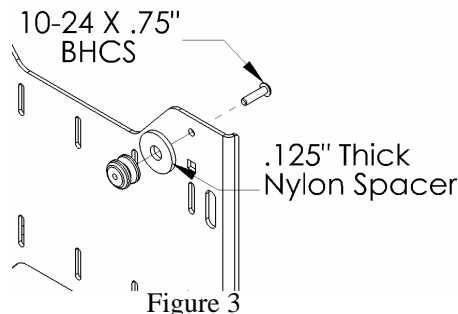


Figure 3

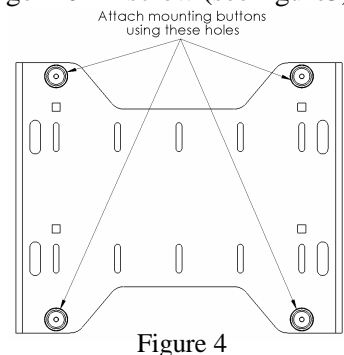


Figure 4

2. Place Nylon spacers over mounting holes on back of panel.
3. Attach bracket to back of display using the M6 x 25mm screws (see Figure 5 & Figure 6). The square holes should be used to attach the bracket to the display. Do not over tighten screws.
4. With the aid of another person, lift the display up to the Chief Mount and align buttons of mounting bracket with slots on the Chief Mount.
5. Raise safety latch on the Chief Mount to secure the display, making sure latch is completely engaged.

