

INSTALLATION INSTRUCTIONS

MSB-6053

DISPLAY MOUNTING BRACKET

Prior to assembly, unpack carton completely and verify contents.

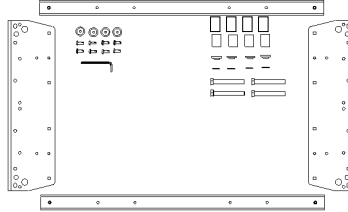


Figure 1

- (2) Interface Side Brackets
- (4) Mounting Buttons – Tapped
- (4) M8 x 65mm Hex Head Cap Screws
- (4) M8 Flat Washers
- (1) 1/8" Allen Key

- (2) Interface Center Brackets
- (8) 10-24 x .5 Button Head Cap Screws
- (4) 18mm x 8.3mm x 20mm Nylon Spacers
- (4) Nylon Shoulder Washers
- (4) .74x.39x1.0" Nylon Spacers

BEFORE PROCEEDING, READ INSTALLATION INSTRUCTIONS COMPLETELY

CAUTION!

DISPLAYS ARE EXTREMELY FRAGILE.

WARNING!

ALL COMPONENTS MUST BE SECURELY FASTENED TO A STRUCTURAL MEMBER CAPABLE OF SUPPORTING 4 TIMES THE COMBINED WEIGHT OF ALL COMPONENTS PLUS THE EQUIPMENT BEING MOUNTED. IF IT CANNOT SUPPORT THIS WEIGHT, THE STRUCTURE MUST BE REINFORCED. THE MAXIMUM WEIGHT TO BE INSTALLED ON THE INTERFACE IS 125 POUNDS (79.38 KG).

NOTE: If installing screen on a Chief J-series wall mount, proceed to Step 3 (J-Series VESA Interface Installation).

1. **Chief Q-latch Button Installation (Used with MSR, MTR, MWH, MWR, MCS and MCD mounts):**
Using a 10-24 button head cap screw inserted from back side of bracket, secure mounting button, with chamfered hole of mounting button (larger surface) facing bracket, to center brackets (four places) (see Figure 2 & Figure3).
2. Proceed to Step 4 (Side Bracket Assembly).

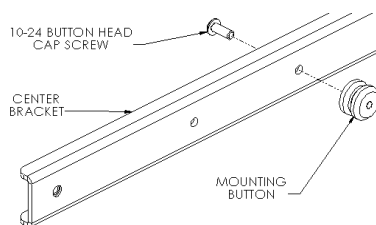


Figure 2

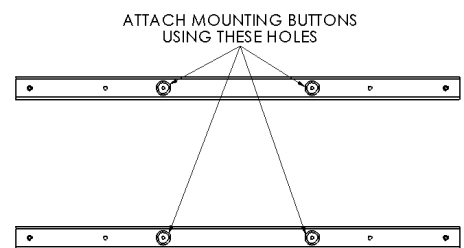


Figure 3

3. **J-Series VESA Interface Installation:** Using the 10-24 button head cap screws along with the 10-24 Nylock nuts (provided with J-Series mount), attach VESA interface from J-Series mount to center brackets (see Figure 4 & Figure 5).

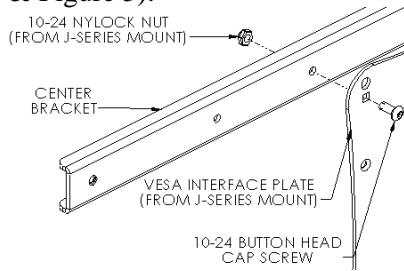


Figure 4

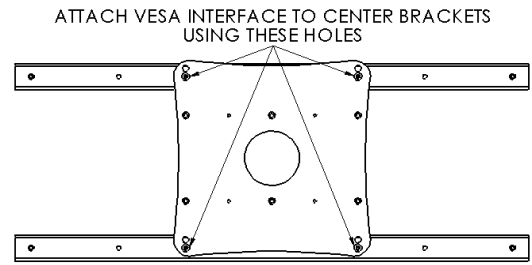


Figure 5

4. **Side Bracket Assembly:** Attach center brackets to side brackets using the 10-24 button head cap screws (see Figure 6 & Figure 7).

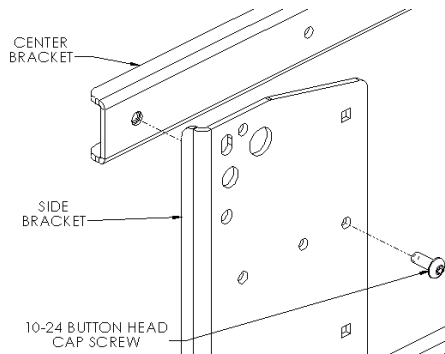


Figure 6

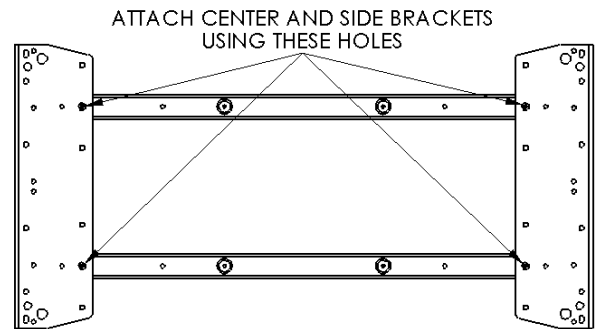


Figure 7

5. **Bracket Installation:** Place four nylon spacers over mounting holes on back of screen. Attach mounting brackets to display using the M8 screws, shoulder and steel washers (see Figure 8 & Figure 9). Do not over tighten screws.

NOTE: Select nylon spacers to use based upon the type of device being mounted. The remaining four spacers will not be used.

6. Follow the Chief mount instruction manual for screen installation.

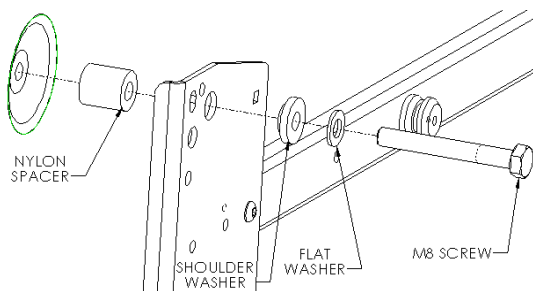


Figure 8

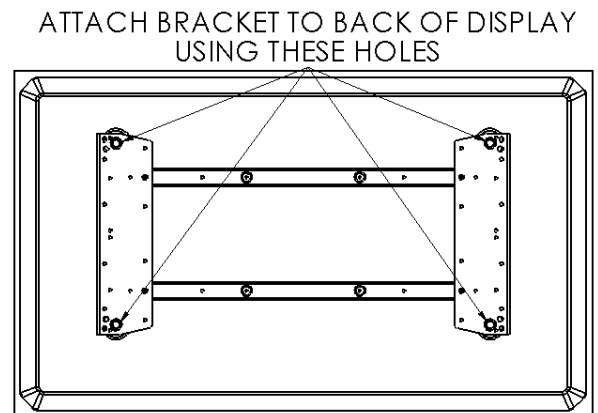


Figure 9

