

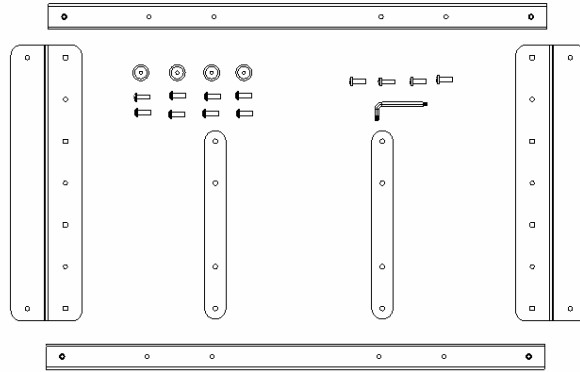


INSTALLATION INSTRUCTIONS

MSB-6066

DISPLAY MOUNTING BRACKET

Prior to assembly, unpack carton completely and verify contents.
If you are missing any of the following components, please contact Customer Service at 1-800/582-6480



- | | | |
|--|----------|---|
| (2) Interface Side Brackets | Figure 1 | (2) Interface Center Brackets |
| (2) Support Brackets | | (4) Mounting Buttons – 10-24 tapped |
| (8) 10-24 x .625" Phillips Head Cap Screws (black) | | (4) M5 x 16mm Phillips Head Cap Screws (zinc) |
| (1) T25 Torx Key | | |

BEFORE PROCEEDING, READ INSTALLATION INSTRUCTIONS COMPLETELY

CAUTION! DISPLAYS ARE EXTREMELY FRAGILE.

NOTE: This interface bracket is not adaptable with Chief J-Series Centris mounts.

1. Remove existing mounting buttons and screws from back of screen using the torx key provided.
2. **Chief Q-latch Button Installation:** Using a black 10-24 philips head cap screw inserted from back side of bracket, secure support bracket and mounting button, with chamfered hole of mounting button (larger surface) facing support bracket, to center brackets (four places) (see Figure 2 & Figure 3).

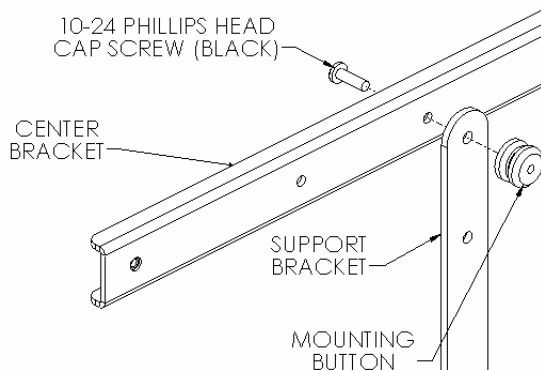


Figure 2

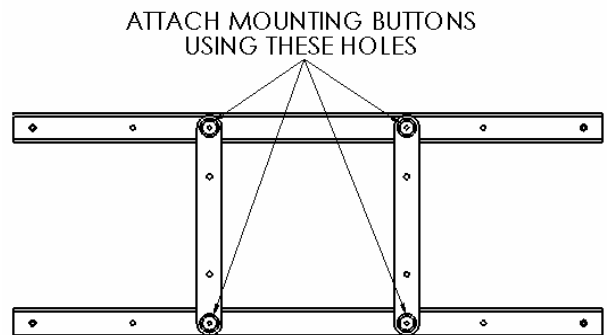


Figure 3

3. **Side Bracket Assembly:** Attach center brackets to side brackets using black 10-24 phillips screws and the square holes of side brackets (see Figure 4 & Figure 5).

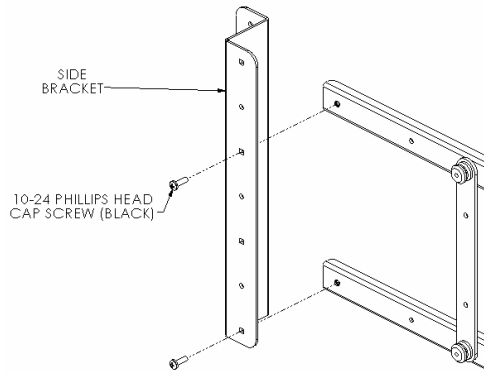


Figure 4

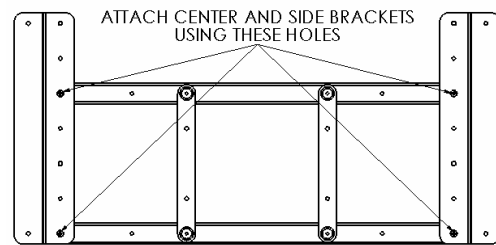


Figure 5

4. **Interface Installation:** Using M5 screws, secure side brackets to display (see Figure 6 & Figure 7). Do not over tighten screws.
5. Follow the Chief mount instruction manual for screen installation.

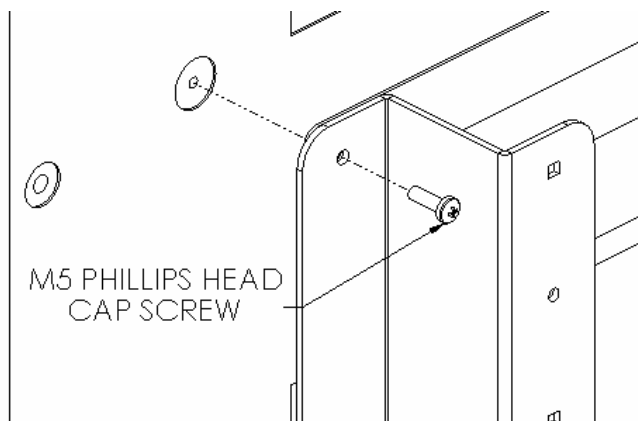


Figure 6

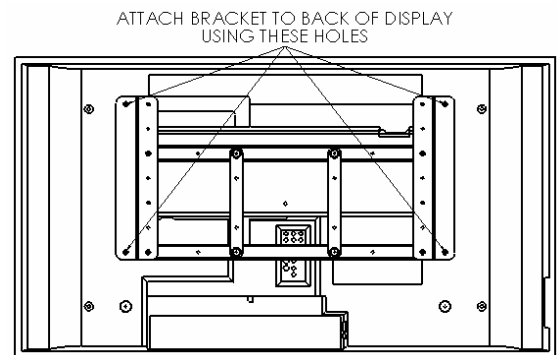


Figure 7