



## INSTALLATION INSTRUCTIONS

# MSB-6076 DISPLAY MOUNTING BRACKET

Prior to assembly, unpack carton completely and verify contents.

If you are missing any of the following components, please contact Customer Service at 1-800/582-6480

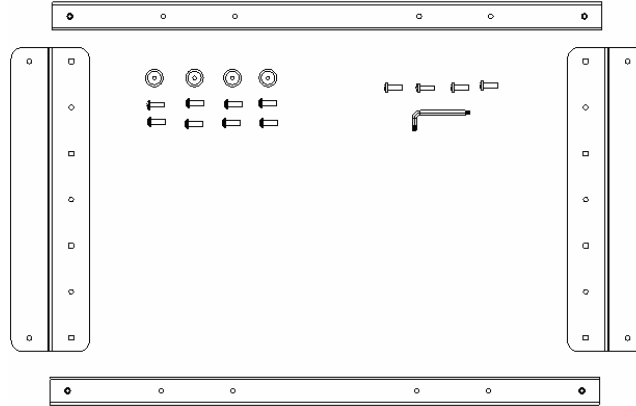


Figure 1

(2) Interface Side Brackets

(4) Mounting Buttons – 10-24 tapped

(4) M5 x 16mm Phillips Head Cap Screws (zinc)

(2) Support Brackets

(8) 10-24 x .625" Phillips Head Cap Screws (black)

(1) T25 Torx Key

BEFORE PROCEEDING, READ INSTALLATION INSTRUCTIONS COMPLETELY

## CAUTION! DISPLAYS ARE EXTREMELY FRAGILE.

1. Remove existing mounting buttons and screws from back of screen using the torx key provided.
2. **Chief Q-latch Button Installation:** Using a black 10-24 philips head cap screw inserted from back side of bracket, secure support bracket and mounting button, with chamfered hole of mounting button (larger surface) facing support bracket, to center brackets (four places) (see Figure 2 & Figure 3).

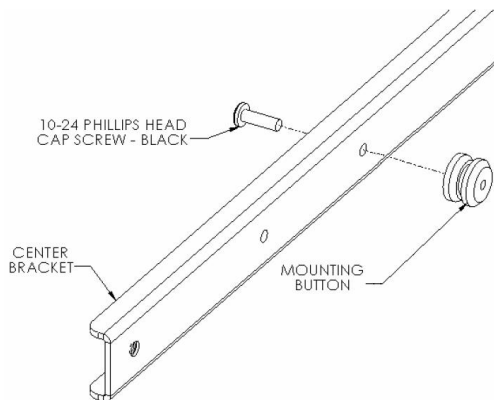


Figure 2

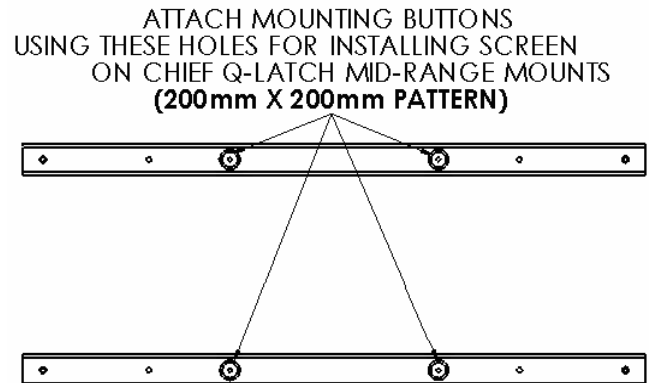


Figure 3

3. **Side Bracket Assembly:** Attach center brackets to side brackets using black 10-24 phillips screws (see Figure 4 & Figure 5). Use the square holes for a 200mm x 200mm button pattern (used with all Chief Q-latch mid-range mounts).

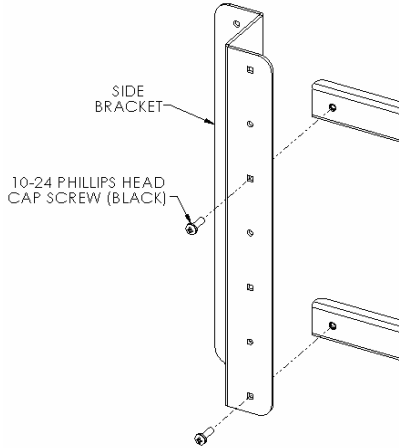


Figure 4

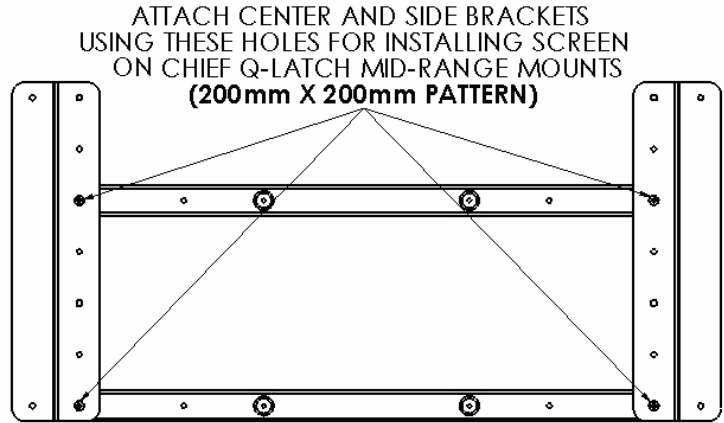


Figure 5

4. **Interface Installation:** Using M5 screws, secure side brackets to display (see Figure 6 & Figure 7). Do not over tighten screws.
5. Follow the Chief mount instruction manual for screen installation.

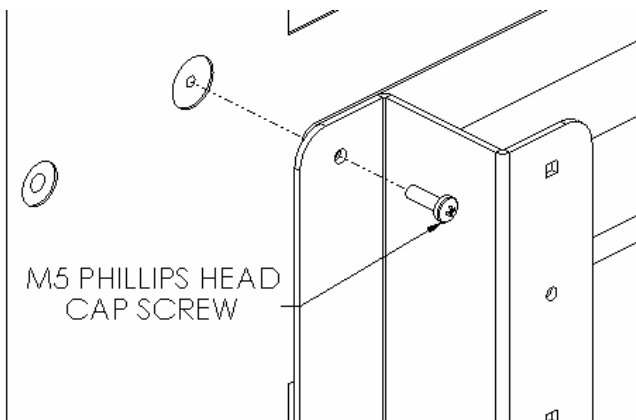


Figure 6

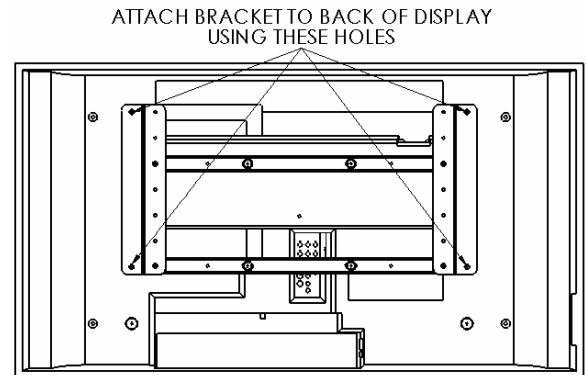


Figure 7