

# INSTALLATION INSTRUCTIONS

## MSB-6096 DISPLAY MOUNTING BRACKET

Prior to assembly, unpack carton completely and verify contents.

If you are missing any of the following components, please contact Customer Service at 1-800/582-6480

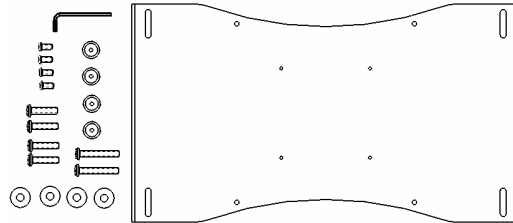


Figure 1

- |                                      |                                     |
|--------------------------------------|-------------------------------------|
| (1) Interface Bracket                | (4) Mounting Button - Tapped        |
| (4) 10-24 x .5 Button Head Cap Screw | (4) M6 x 30 Phillips Pan Head Screw |
| (4) .875 x .33 x .375 Nylon Spacer   | (1) 1/8" Allen Key                  |
| (2) M6 X 45 Phillips Pan Head Screw  |                                     |

BEFORE PROCEEDING, READ INSTALLATION INSTRUCTIONS COMPLETELY

**CAUTION!** DISPLAYS ARE EXTREMELY FRAGILE.

**WARNING!**

ALL COMPONENTS MUST BE SECURELY FASTENED TO A STRUCTURAL MEMBER CAPABLE OF SUPPORTING 4 TIMES THE COMBINED WEIGHT OF ALL COMPONENTS PLUS THE EQUIPMENT BEING MOUNTED. IF IT CANNOT SUPPORT THIS WEIGHT, THE STRUCTURE MUST BE REINFORCED. THE MAXIMUM WEIGHT TO BE INSTALLED ON THE INTERFACE IS 125 POUNDS (79.38 KG).

**NOTE:** If installing screen on a Chief J-series wall mount, proceed to Step 3.

**1. Chief Q-latch Button Installation (Used with mid range Q-latch mounts):** Using a 10-24 button head cap screw inserted from back side of bracket, secure mounting button, with chamfered hole of mounting button (larger surface) facing bracket, bracket (four places) (see Figure 2 & Figure3).

1. Proceed to Step 2 (Bracket Installation).

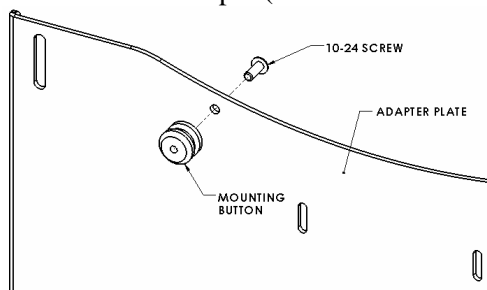


Figure 2

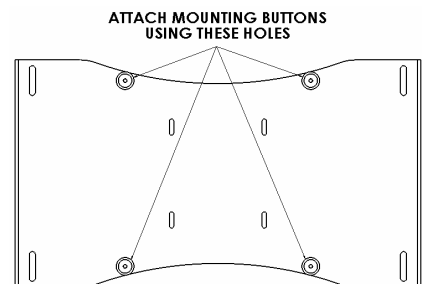


Figure 3

2. **Bracket Installation:** Attach bracket to back of display using the M6 screws and nylon spacers (see Figure 4 & Figure 5). If needed use the two longer M6 screws for models with recessed top mounting holes. The vertical slots of bracket can be used for any height adjustment that may be needed. Do not over tighten screws.

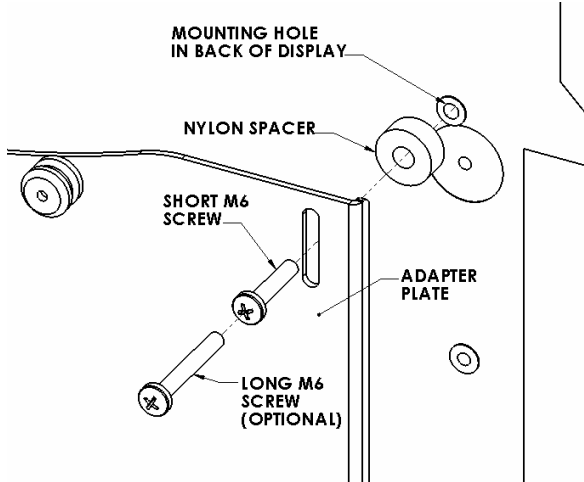


Figure 4

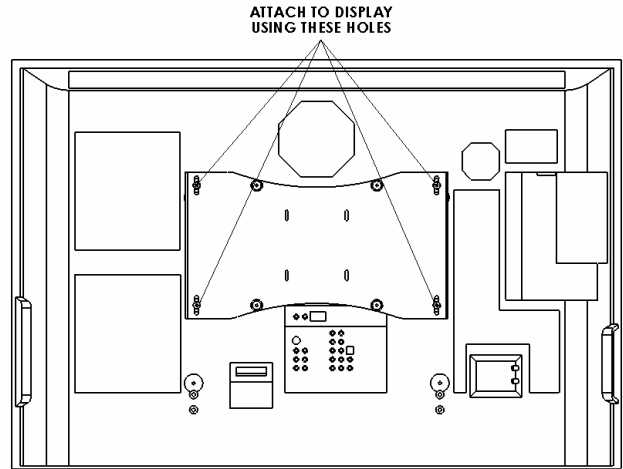
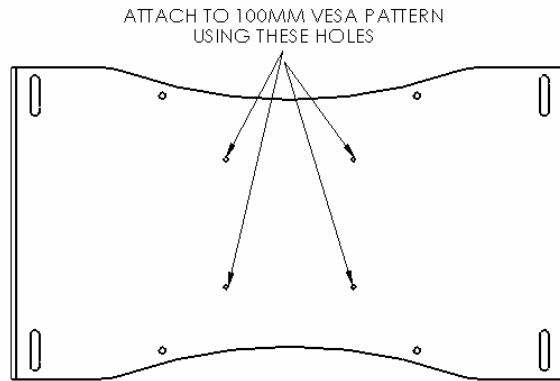


Figure 5

3. **J-Series Mounting:** Per mount instructions, use the 100mm x 100mm tapped holes on bracket to attach screen to J-Series mount



4. Follow the Chief mount instruction manual for screen installation.

Figure 6