

INSTALLATION INSTRUCTIONS

MSB-6098 & 6392 DISPLAY MOUNTING BRACKET

Prior to assembly, unpack carton completely and verify contents.

If you are missing any of the following components, please contact Customer Service at 1-800/582-6480

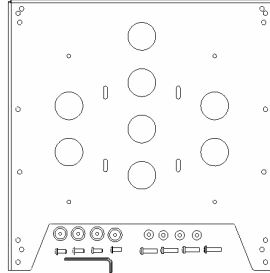


Figure 1

(1) Interface Bracket

(4) 10-24 x .5 Button Head Cap Screw

(4) .50 x .194 x .375 Nylon Spacer

(4) Mounting Button - Tapped

(4) M5 x 20 Phillips Head Cap Screw

(1) 1/8" Allen Key

BEFORE PROCEEDING, READ INSTALLATION INSTRUCTIONS COMPLETELY

CAUTION! DISPLAYS ARE EXTREMELY FRAGILE.

WARNING! ALL COMPONENTS MUST BE SECURELY FASTENED TO A STRUCTURAL MEMBER CAPABLE OF SUPPORTING 4 TIMES THE COMBINED WEIGHT OF ALL COMPONENTS PLUS THE EQUIPMENT BEING MOUNTED. IF IT CANNOT SUPPORT THIS WEIGHT, THE STRUCTURE MUST BE REINFORCED. THE MAXIMUM WEIGHT TO BE INSTALLED ON THE INTERFACE IS 125 POUNDS (79.38 KG).

NOTE: If installing screen on a Chief J-series wall mount, proceed to Step 3 (J-Series VESA Interface Installation).

1. **Chief Q-latch Button Installation (Used with MSR, MTR, MWH, MWR, MCS and MCD mounts):** Using a 10-24 button head cap screw inserted from back side of bracket, secure mounting button, with chamfered hole of mounting button (larger surface) facing bracket, bracket (four places) (see Figure 2 & Figure3).
2. Proceed to Step 4 (Bracket Installation).

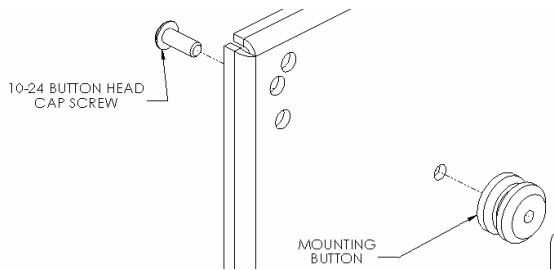


Figure 2

ATTACH MOUNTING BUTTONS
USING THESE HOLES

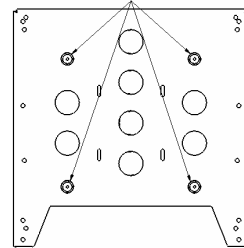


Figure 3

3. **J-Series VESA Interface Installation:** Using the 10-24 button head cap screws along with the 10-24 Nylock nuts (provided with J-Series mount), attach VESA interface from J-Series mount to MSB bracket (see Figure 4 & Figure 5).

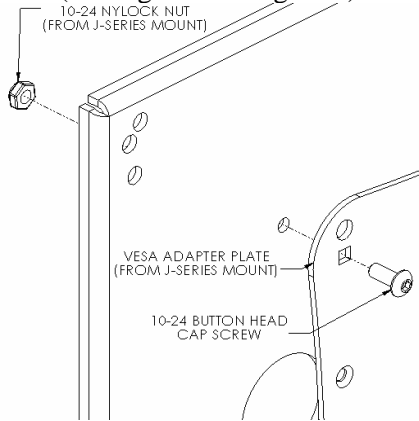


Figure 4

ATTACH VESA ADAPTER PLATE TO BRACKET USING THESE HOLES

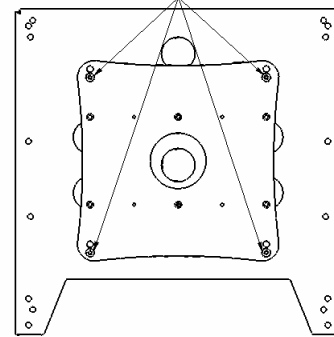


Figure 5

4. **Bracket Installation:** Attach bracket to back of display using the M5 screws and nylon spacers (see Figure 6 & Figure 7 for MSB-6098 and Figure 8 & Figure 9 for MSB-6392). Do not over tighten screws.
5. Follow the Chief mount instruction manual for screen installation.

MSB-6098

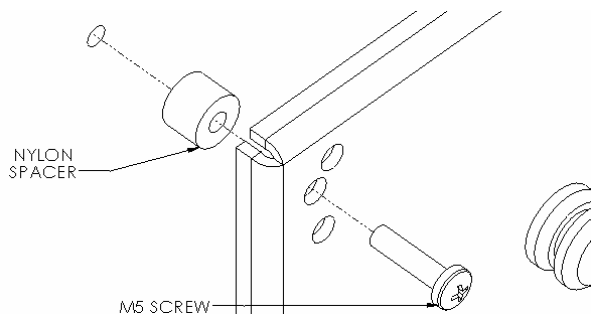


Figure 6

ATTACH BRACKET TO BACK OF DISPLAY USING THESE HOLES

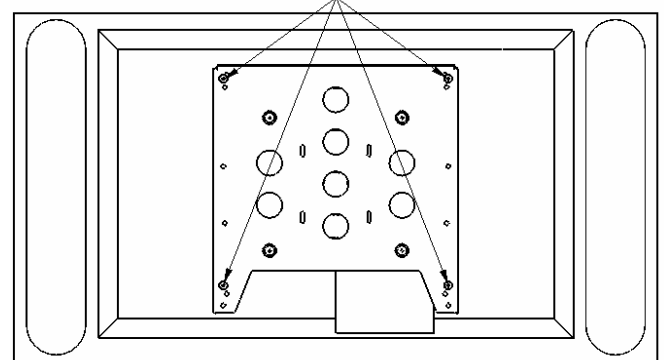


Figure 7

MSB-6392

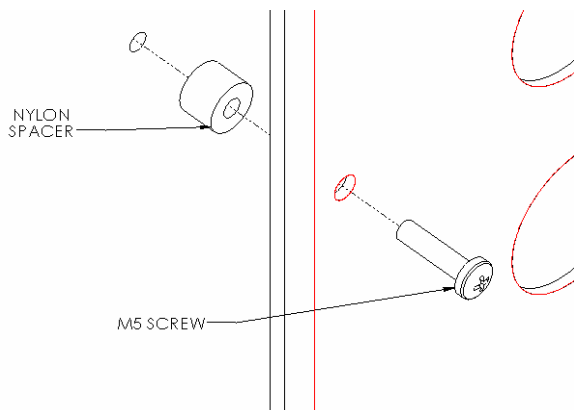


Figure 8

ATTACH BRACKET TO BACK OF DISPLAY USING THESE HOLES

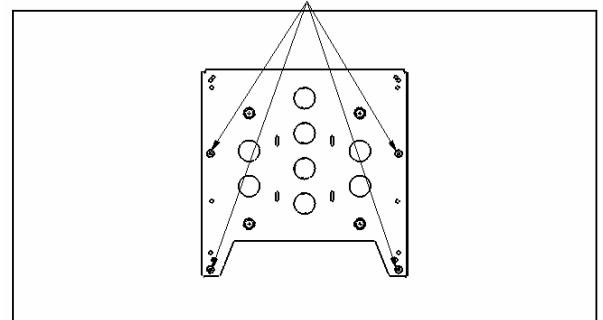


Figure 9