



INSTALLATION INSTRUCTIONS

MSB-6135 LCD DISPLAY MOUNTING BRACKET

Prior to assembly, unpack carton completely and verify contents.

If you are missing any of the following components, please contact Customer Service at 1-800/582-6480

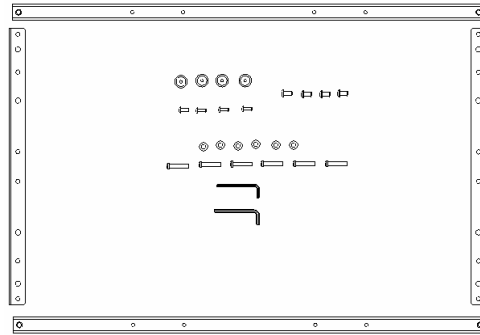


Figure 1

- (2) LCD Interface Side Brackets
- (4) Mounting Buttons
- (4) 1/4-20 x .5" Button Head Cap Screws
- (6) .50 x .27 x .625 Nylon Spacers
- (1) 5/32" Allen Key

- (2) LCD Interface Center Brackets
- (4) 10-24 x .5" Button Head Cap Screws
- (6) M5 x 30mm Phillips Head Cap Screws
- (1) 1/8" Allen Key

BEFORE PROCEEDING, READ INSTALLATION INSTRUCTIONS COMPLETELY

CAUTION! LCD DISPLAYS ARE EXTREMELY FRAGILE.

NOTE: If installing screen on a Chief J-series wall mount, proceed to Step 3 (J-Series VESA Interface Installation).

1. **Chief Q-latch Button Installation (Used with MSR, MTR, MWH, MWR, MCS and MCD mounts):**
Using a 10-24 button head cap screw inserted from back side of bracket, secure mounting button, with chamfered hole of mounting button (larger surface) facing bracket, to center brackets (four places) (see Figure 2 & Figure 3).
2. Proceed to Step 4 (Side Bracket Assembly).

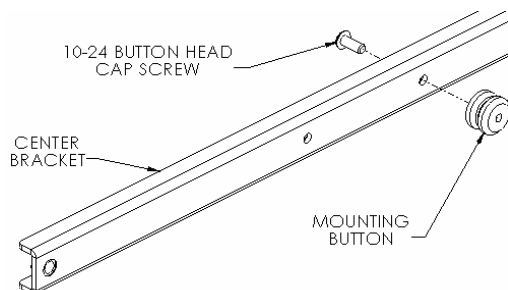


Figure 2

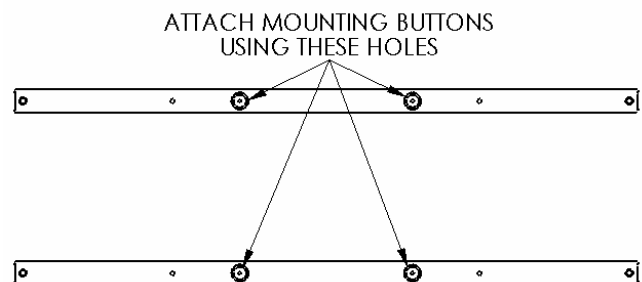


Figure 3

3. **J-Series VESA Interface Installation:** Using the 10-24 x .5" button head cap screws along with the 10-24 Nylock nuts (provided with J-series mount), attach VESA interface from J-Series mount to center brackets (see Figure 4 & Figure 5).

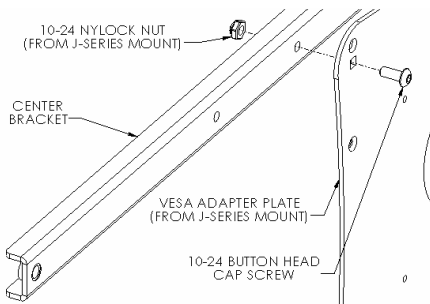


Figure 4

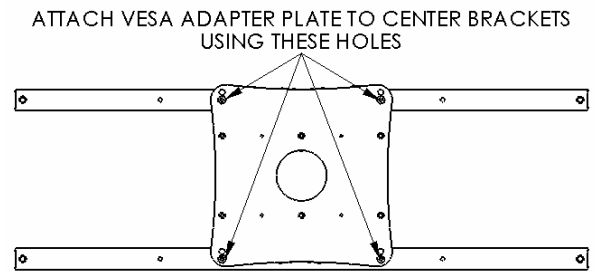


Figure 5

4. **Side Bracket Assembly:** Attach center brackets to side brackets using the 1/4-20 screws (see Figure 6 & Figure 7).

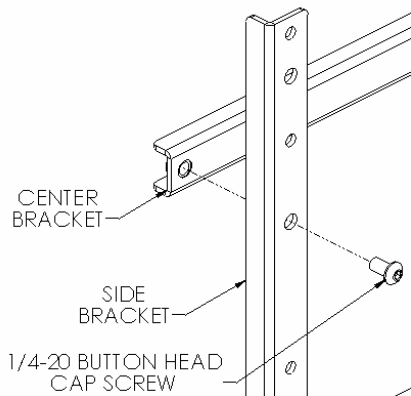


Figure 6

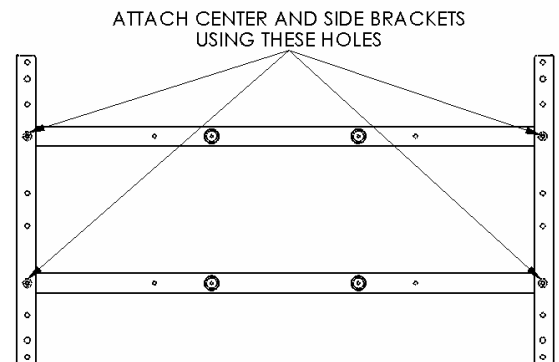


Figure 7

5. **Interface Installation:** Using M5 screws and nylon spacers, secure side brackets to display (see Figure 8 & Figure 9). Do not over tighten screws. The 1/4-20 button head cap screws attaching the side and center brackets may need to be loosened in order to line up holes on display. If this is done, please be sure to tighten them once again.
6. Follow the Chief mount instruction manual for screen installation.

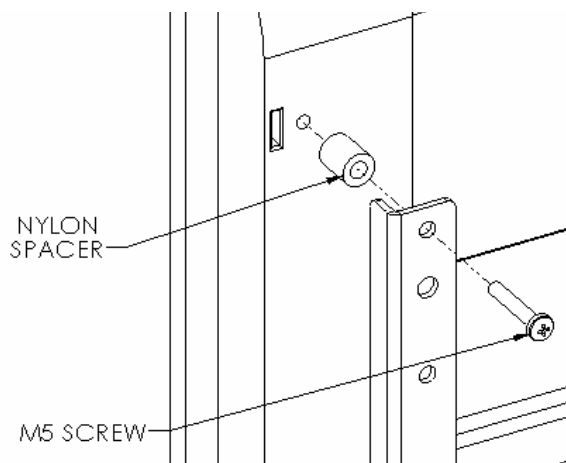


Figure 8

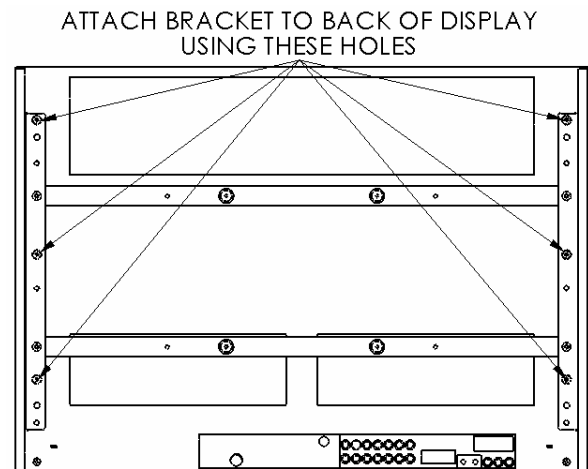


Figure 9