

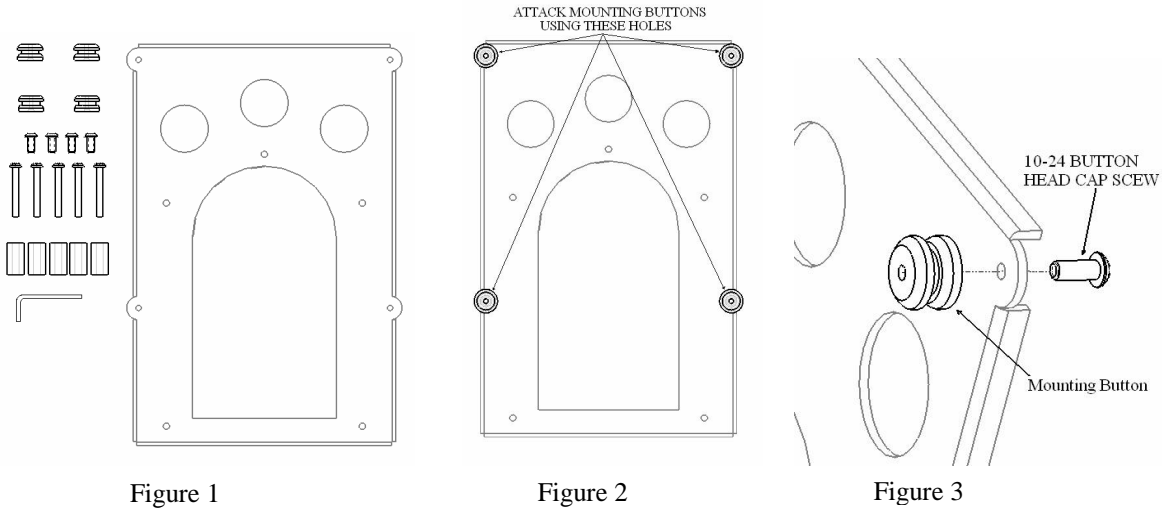
INSTALLATION INSTRUCTIONS

MSB-6154

LCD DISPLAY MOUNTING BRACKET

Prior to assembly, unpack carton completely and verify contents.

If you are missing any of the following components, please contact Customer Service at 1-800/582-6480



- | | |
|---|---|
| (1) LCD Bracket | (4) Mounting Buttons |
| (4) 10-24 x 0.5" Button Head Cap Screws | (5) 0.25" ID x 0.5" OD x 1" Nylon Spacers |
| (5) M4 x 40mm Phillips Head Cap Screws | (1) 1/8 Hex Key |

BEFORE PROCEEDING, READ INSTALLATION INSTRUCTIONS COMPLETELY

CAUTION! LCD DISPLAYS ARE EXTREMELY FRAGILE.

- Using a 10-24 Phillips head cap screw, secure mounting button to bracket (four places) (see Figure 2 & Figure 3).
- Place Nylon spacers on mounting holes, aligning hole pattern on brackets with pattern on back of LCD Display (see Figure 4 & Figure 5).
- Using M4 screws, secure brackets to display. Do not over tighten screws.
- With the aid of another person, lift LCD Display up to the Chief Mount, aligning buttons of mounting brackets with slots in the Chief Mount.
- Lower safety latch on the Chief Mount to secure LCD Display, making sure latch is completely engaged.

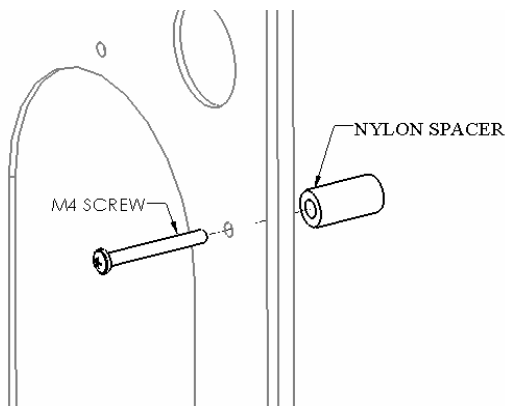


Figure 4

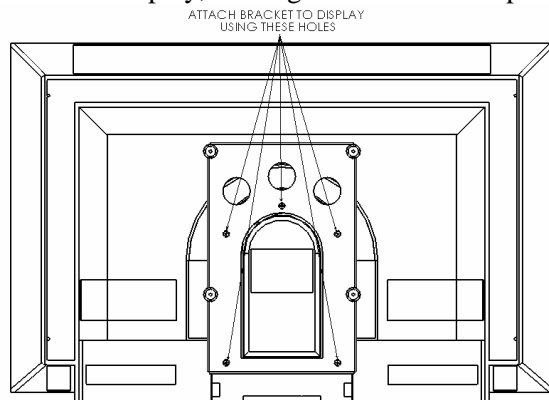


Figure 5