

INSTALLATION INSTRUCTIONS

MSB-6227 DISPLAY MOUNTING BRACKET

Prior to assembly, unpack carton completely and verify contents.

If you are missing any of the following components, please contact Customer Service at 1-800/582-6480

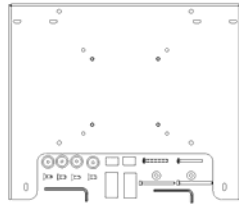


Figure 1

- | | |
|---------------------------------------|------------------------------------------|
| (1) FSB Interface Bracket | (4) Mounting Buttons - Tapped |
| (4) 10-24 x .5 Flat Head Cap Screw | (2) .75 x .34 x .50 Nylon Spacer – White |
| (2) M4 x 35mm Phillips Head Cap Screw | (2) .74 x .46 x 1.5 Nylon Spacer – Black |
| (2) M4 x 50mm Socket Head Cap Screw | (2) #10 Flat Washer |
| (1) 1/8 Allen Key | (1) M3 Allen Key |

BEFORE PROCEEDING, READ INSTALLATION INSTRUCTIONS COMPLETELY

CAUTION! **DISPLAYS ARE EXTREMELY FRAGILE.**

WARNING! **ALL COMPONENTS MUST BE SECURELY FASTENED TO A STRUCTURAL MEMBER CAPABLE OF SUPPORTING 4 TIMES THE COMBINED WEIGHT OF ALL COMPONENTS PLUS THE EQUIPMENT BEING MOUNTED. IF IT CANNOT SUPPORT THIS WEIGHT, THE STRUCTURE MUST BE REINFORCED. THE MAXIMUM WEIGHT TO BE INSTALLED ON THE INTERFACE IS 125 POUNDS (79.38 KG).**

NOTE: If installing screen on a Chief J-series wall mount, proceed to Step 2 (Bracket Installation).

1. **Chief Q-latch Button Installation (Used with MSR, MTR, MWH, MWR, MCS and MCD mounts):** Using a 10-24 flat head cap screw inserted from back side of bracket, secure mounting button, with chamfered hole of mounting button (larger surface) facing bracket, to bracket (four places) (see Figure 2 & Figure3).

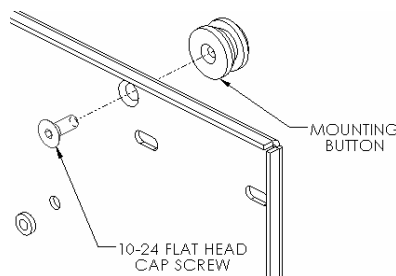


Figure 2

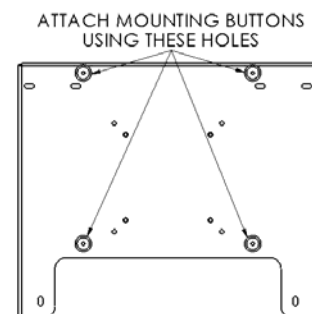


Figure 3

2. **Bracket Installation:** Remove screws from upper mounting holes on back of display. Place white nylon spacers on upper mounting holes and black nylon spacers on lower mounting holes, aligning hole pattern on brackets with pattern on back of display (see Figure 3 and Figure 4).
3. Using the M4 x 35mm screws on upper mounting holes and M4 x 50mm screws with #10 flat washers on lower mounting holes, secure bracket to display. Do not over tighten screws.

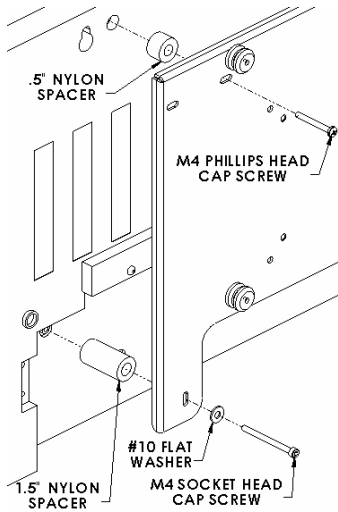


Figure 4

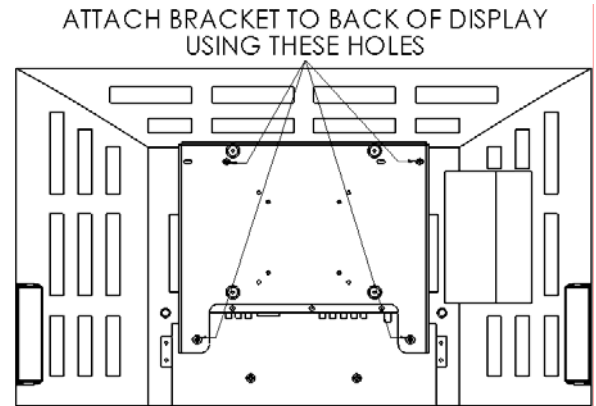


Figure 5

4. **J-Series Mounting:** Per mount instructions, use the 100mm x 100mm tapped holes on bracket to attach screen to J-Series mount (see Figure 6).
5. **Q-Latch Mounting:** Per mount instructions, with the aid of another person, lift display up to the Chief Mount, aligning buttons of mounting brackets with slots in the Chief. Raise safety latch on the Chief Mount to secure display, making sure latch is completely engaged.

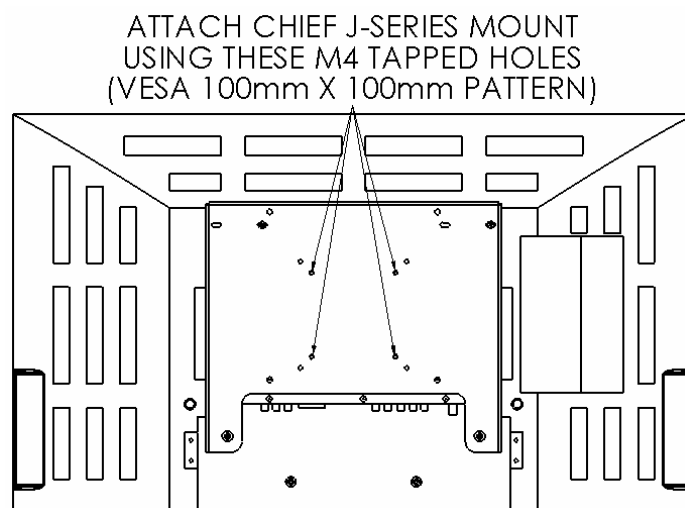


Figure 6