

INSTALLATION INSTRUCTIONS

MSB-6300 DISPLAY MOUNTING BRACKET

Prior to assembly, unpack carton completely and verify contents.

If you are missing any of the following components, please contact Customer Service at 1-800/582-6480

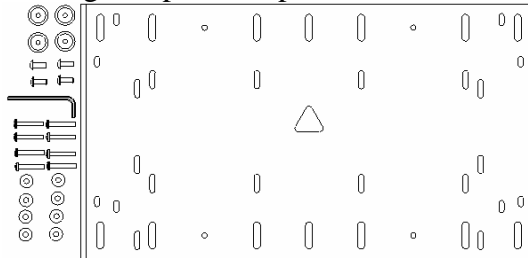


Figure 1

(1) Interface Bracket

(4) 10-24 x .5 Button Head Cap Screw

(8) .875 x .330 x .375 Nylon Spacer

(4) Mounting Button - Tapped

(8) M4 x 25 Phillips Head Cap Screw

(1) 1/8" Allen Key

BEFORE PROCEEDING, READ INSTALLATION INSTRUCTIONS COMPLETELY

CAUTION! DISPLAYS ARE EXTREMELY FRAGILE.

WARNING! ALL COMPONENTS MUST BE SECURELY FASTENED TO A STRUCTURAL MEMBER CAPABLE OF SUPPORTING 4 TIMES THE COMBINED WEIGHT OF ALL COMPONENTS PLUS THE EQUIPMENT BEING MOUNTED. IF IT CANNOT SUPPORT THIS WEIGHT, THE STRUCTURE MUST BE REINFORCED. THE MAXIMUM WEIGHT TO BE INSTALLED ON THE INTERFACE IS 125 POUNDS (79.38 KG).

NOTE: If installing screen on a Chief J-series wall mount, proceed to Step 5 (J-Series Installation).

1. **Chief Q-latch Button Installation (Used with MSR, MTR, MWH, MWR, MCS and MCD mounts):** Using a 10-24 button head cap screw inserted from back side of bracket, secure mounting button, with chamfered hole of mounting button (larger surface) facing bracket, bracket (four places) (see Figure 2 & Figure3).

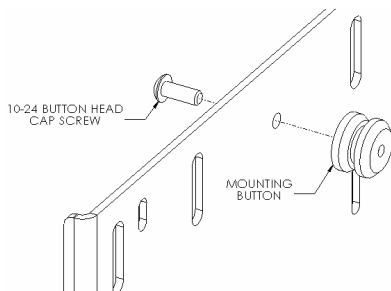


Figure 2

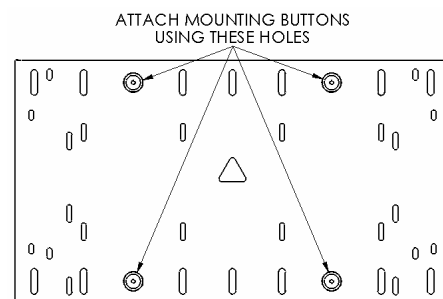


Figure 3

2. **Bracket Installation:** Attach bracket to back of display using the M4 screws, Nylon spacers and flat washers (see Figure 4 & Figure 5). The vertical slots of bracket can be used for any height adjustment that may be needed. Do not over tighten screws.

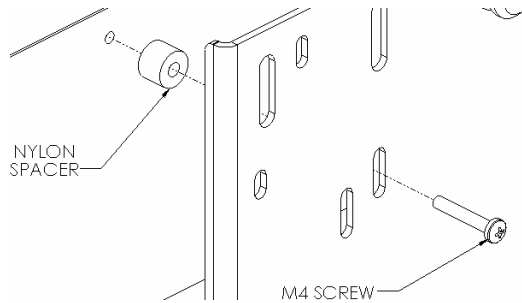


Figure 4

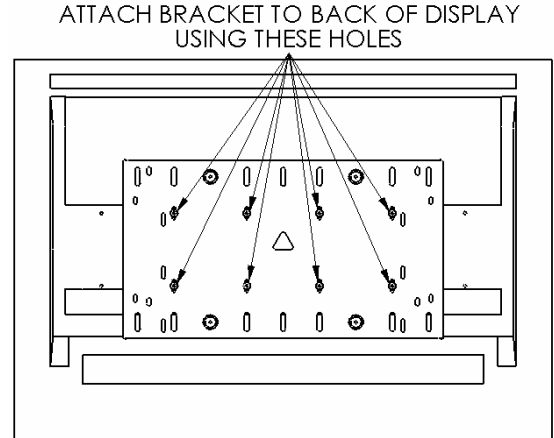


Figure 5

3. With the aid of another person, lift the display up to the Chief Mount and align buttons of mounting bracket with slots on the Chief Mount.
4. Raise safety latch on the Chief Mount to secure the display, making sure latch is completely engaged.
5. **J-Series Installation:** Using the M4 screws and Nylon spacers, attach both the MSB interface bracket and J-Series mount to back of screen (see Figure 6 & Figure 7). Because of the specific mounting pattern on the back of the display, it is required to attach the J-Series mount to the back of the display before attaching it to the wall.
6. Per mount instructions, install screen and J-Series mount onto wall.

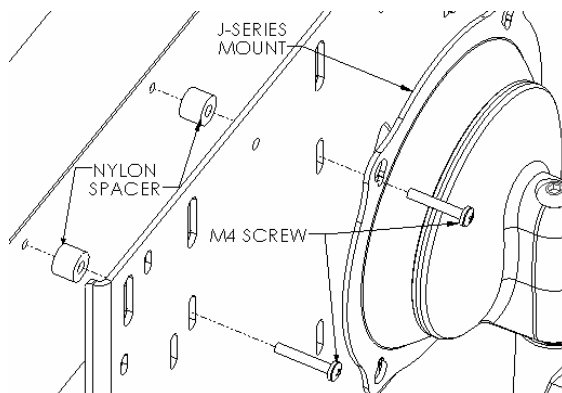


Figure 6

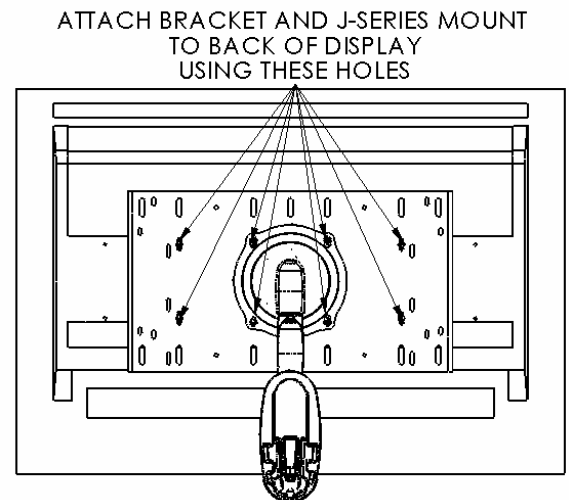


Figure 7