



INSTALLATION INSTRUCTIONS

MSB-6309

DISPLAY MOUNTING BRACKET

Prior to assembly, unpack carton completely and verify contents.
If you are missing any of the following components, please contact Customer Service at 1-800/582-6480.

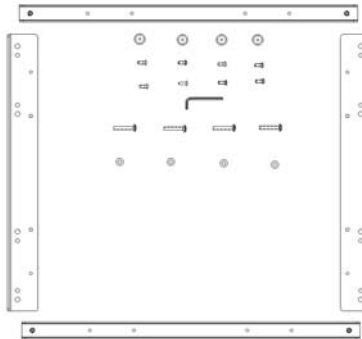


Figure 1

- | | |
|--|--|
| (2) Interface Side Brackets | (2) Interface Center Brackets |
| (4) Mounting Buttons – Tapped | (8) 10-24 x .5” Button Head Cap Screws |
| (4) M6 x 35mm Phillips Head Cap Screws | (4) .500 x .257 x .625 Nylon Spacers |
| (1) 1/8” Allen Key | |

BEFORE PROCEEDING, READ INSTALLATION INSTRUCTIONS COMPLETELY

CAUTION! DISPLAYS ARE EXTREMELY FRAGILE.

NOTE: If installing screen on a Chief J-series wall mount, proceed to Step 3 (J-Series VESA Interface Installation).

- Chief Q-latch Button Installation (Used with MSR, MTR, MWH, MWR, MCS and MCD mounts):** Using a 10-24 button head cap screw inserted from back side of bracket, secure mounting button, with chamfered hole of mounting button (larger surface) facing bracket, to center brackets (four places) (see Figure 2 and Figure 3).
- Proceed to Step 4 (Side Bracket Assembly).

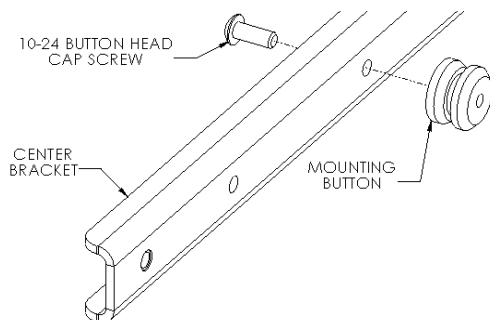


Figure 2

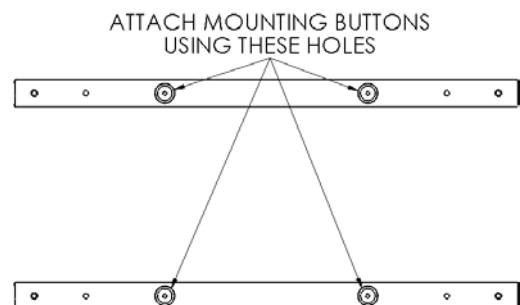


Figure 3

3. **J-Series VESA Interface Installation:** Using the 10-24 button head cap screws along with the 10-24 Nylock nuts (provided with J-series mount), attach VESA interface from J-Series mount to center brackets (See Figure 4 and Figure 5).

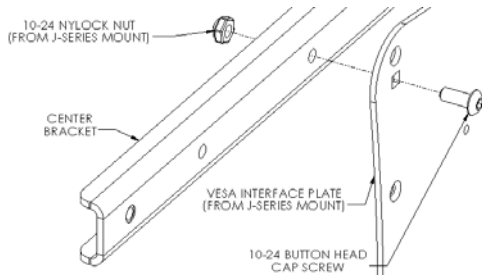


Figure 4

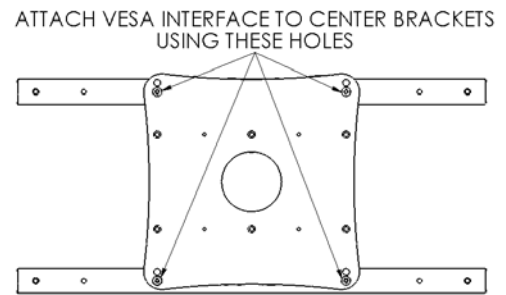


Figure 5

4. **Side Bracket Assembly:** Attach center brackets to side brackets using the 10-24 button head cap screws (see Figure 6 and Figure 7).

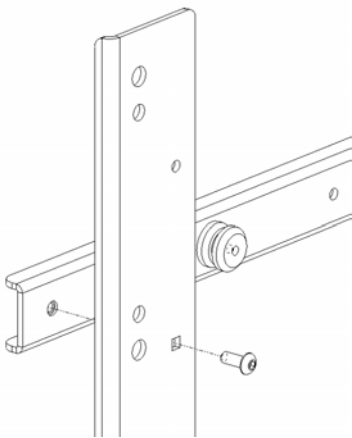


Figure 6

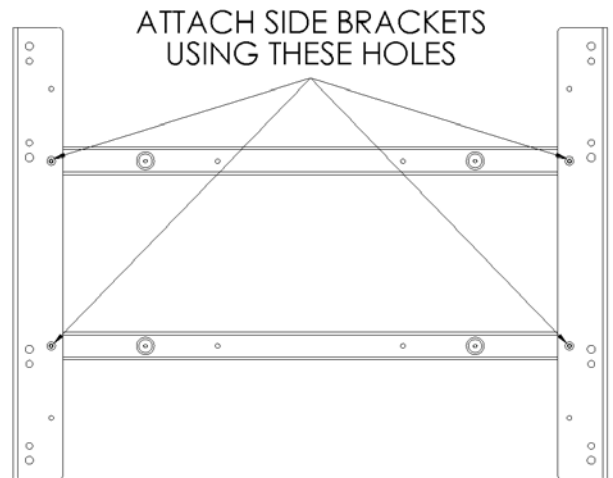


Figure 7

5. **Bracket Installation:** Place nylon spacers over mounting holes of screen and attach brackets to back of display using the M6 screws (see Figure 8 and Figure 9). Do not over tighten screws.
6. Follow the Chief mount instruction manual for screen installation.

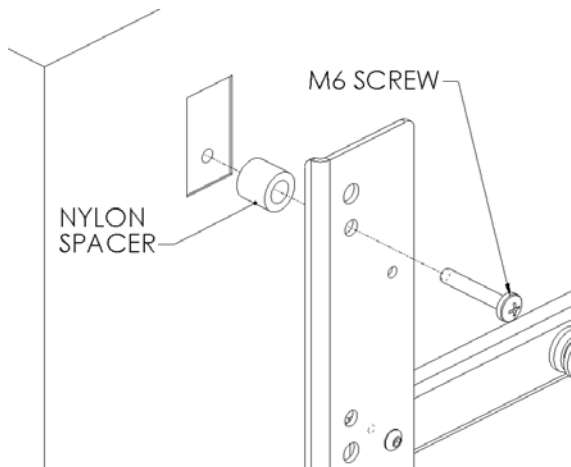


Figure 8

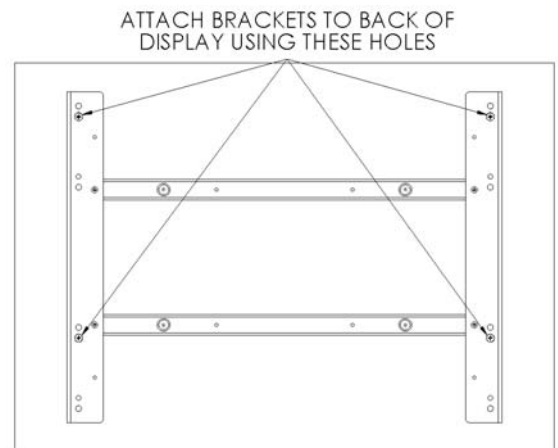


Figure 9