

INSTALLATION INSTRUCTIONS

MSB-6350

DISPLAY MOUNTING BRACKET

Prior to assembly, unpack carton completely and verify contents.

If you are missing any of the following components, please contact Customer Service at 1-800/582-6480

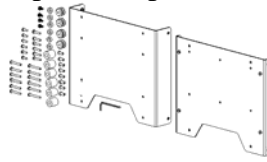


Figure 1

(1) Interface Bracket Top

(4) Mounting Button – Tapped

(4) 8-32 x .375 Phillips Screw

(6) M4 x 20mm Phillips Head Cap Screw

(6) M4 x 35mm Phillips Head Cap Screw

(6) 18mm x 8.3mm x 20mm Black Nylon Spacer

(1) Interface Bracket Bottom

(8) 10-24 x .5 Button Head Cap Screw

(6) M4 x 12mm Phillips Head Cap Screw

(6) M4 x 30mm Phillips Head Cap Screw

(6) .50 x .26 x .1875 White Nylon Spacer

(1) 1/8" Allen Key

BEFORE PROCEEDING, READ INSTALLATION INSTRUCTIONS COMPLETELY

CAUTION!

DISPLAYS ARE EXTREMELY FRAGILE.

WARNING!

ALL COMPONENTS MUST BE SECURELY FASTENED TO A STRUCTURAL MEMBER CAPABLE OF SUPPORTING 4 TIMES THE COMBINED WEIGHT OF ALL COMPONENTS PLUS THE EQUIPMENT BEING MOUNTED. IF IT CANNOT SUPPORT THIS WEIGHT, THE STRUCTURE MUST BE REINFORCED. THE MAXIMUM WEIGHT TO BE INSTALLED ON THE INTERFACE IS 125 POUNDS (79.38 KG).

NOTE: The screens using this interface have a media box attach directly to the back of the panel. Please follow the appropriate **INSTALLATION** below if the media box will be installed directly behind the screen or be placed in a different location (requiring longer cables).

INSTALLATION: WITH MEDIA BOX ATTACHED DIRECTLY BEHIND SCREEN

1. Using a 10-24 button head cap screw inserted from back side of top bracket, secure mounting button, with chamfered hole of mounting button (larger surface) facing bracket, bracket (four places) (see Figure 2 & Figure 3).

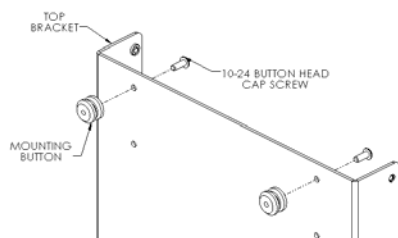


Figure 2

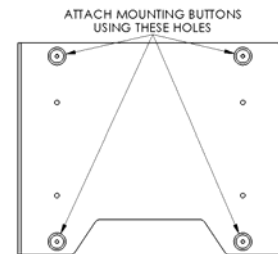


Figure 3



CHIEF MANUFACTURING INC.
1-800-582-6480 952-894-6280 FAX 952-894-6918
8401 EAGLE CREEK PKWY, STE. 700
SAVAGE, MINNESOTA 55378 USA

8840-000049 RevC
2006 Chief Manufacturing
www.chiefmfg.com
1/06

- Place .1875" white nylon spacers over mounting holes on back of panel.
- Attach bottom bracket to back of display using the M4 x 12mm or M4 x 20mm screws depending on maximum screws depth of screen (see Figure 4 & Figure 5). If possible, use the 20mm screws. If the screen has shallow mounting holes, the 12mm screws should be used in order to prevent damaging the inside of the screen. Do not over tighten screws.

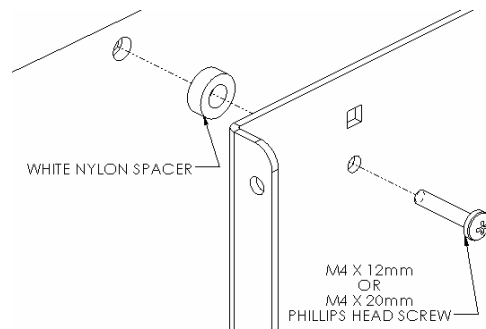


Figure 4

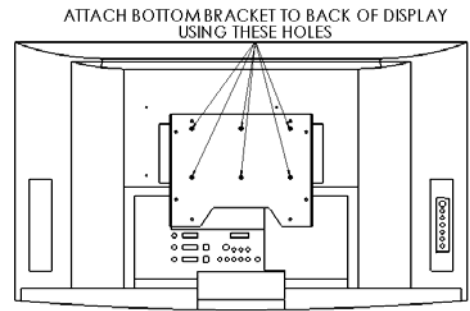


Figure 5

- Attach media box to bottom bracket using the 8-32 Phillips screws (see Figure 6 & Figure 7). Do not over tighten screws.

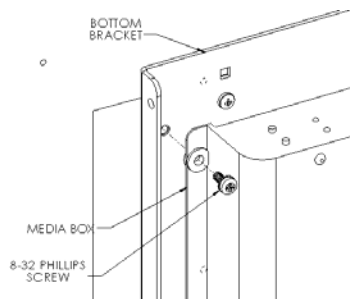


Figure 6

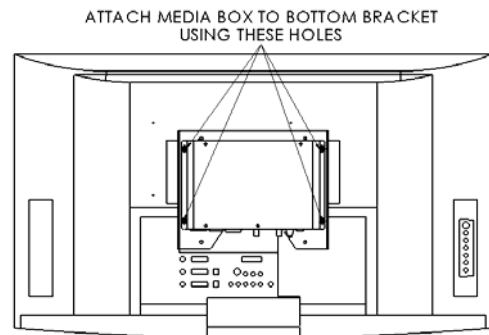


Figure 7

- Attach top and bottom brackets using the remaining four 10-24 button head cap screws (see Figure 8 & Figure 9).

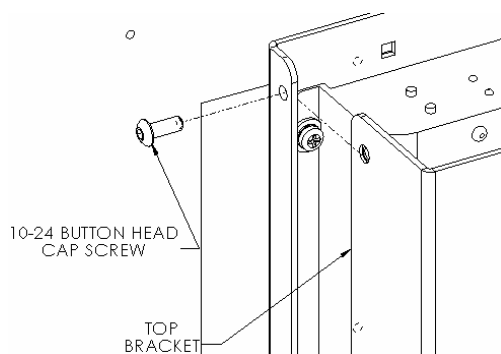


Figure 8

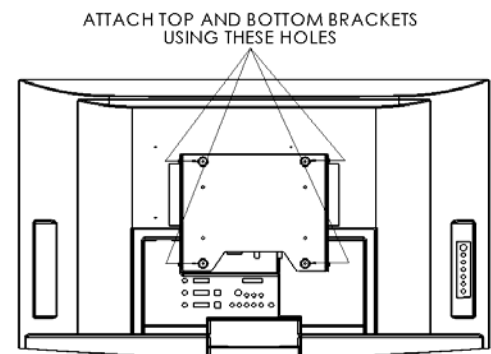


Figure 9

- With the aid of another person, lift the display up to the Chief Mount and align buttons of mounting bracket with slots on the Chief Mount.
- Raise safety latch on the Chief Mount to secure the display, making sure latch is completely engaged.

**INSTALLATION: WITHOUT MEDIA BOX ATTACHED DIRECTLY
BEHIND SCREEN**

- Using a 10-24 button head cap screw inserted from back side of bottom bracket through the square holes, secure mounting button, with chamfered hole of mounting button (larger surface) facing bracket, bracket (four places) (see Figure 10 & Figure 11).

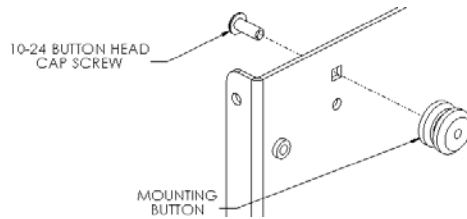


Figure 10

ATTACH MOUNTING BUTTONS TO BOTTOM BRACKET
USING THESE HOLES

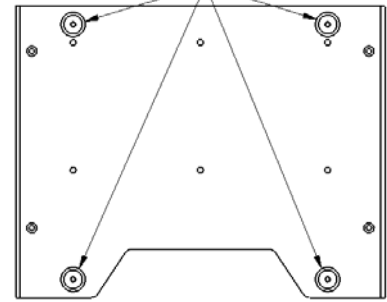


Figure 11

- Place 20mm black nylon spacers over mounting holes on back of panel.
- Attach bottom bracket to back of display using the M4 x 30mm or M4 x 35mm screws depending on maximum screw depth of screen (see Figure 12 & Figure 13). If possible, use the 35mm screws. If the screen has shallow mounting holes, the 30mm screws should be used in order to prevent damaging the inside of the screen. Do not over tighten screws.

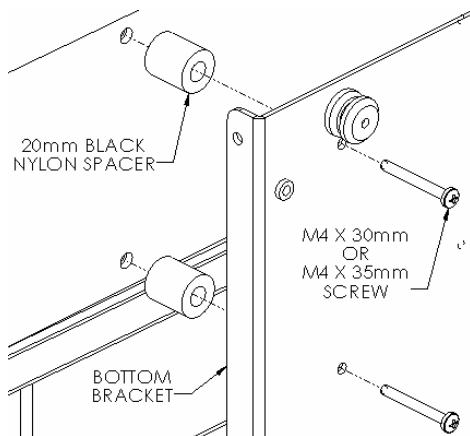


Figure 12

ATTACH BOTTOM BRACKET TO BACK OF DISPLAY
USING THESE HOLES

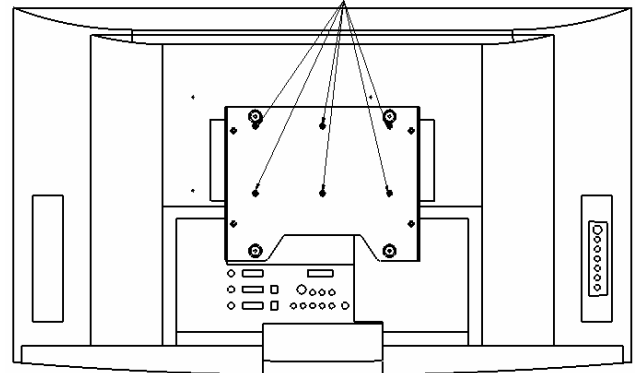


Figure 13

- With the aid of another person, lift the display up to the Chief Mount and align buttons of mounting bracket with slots on the Chief Mount.
- Raise safety latch on the Chief Mount to secure the display, making sure latch is completely engaged.