

# INSTALLATION INSTRUCTIONS

## MSB-6360 DISPLAY MOUNTING BRACKET

Prior to assembly, unpack carton completely and verify contents.  
If you are missing any of the following components, please contact Customer Service at 1-800/582-6480

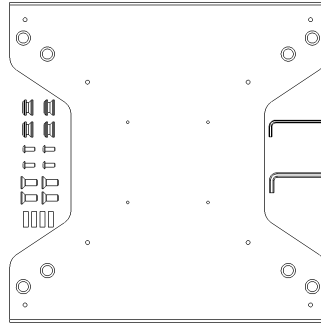


Figure 1

- |  |                                    |
|--|------------------------------------|
| (1) Interface Bracket                  | (4) Mounting Buttons – Tapped      |
| (4) 10-24 x .50 Button Head Cap Screws | (4) M8 x 25mm Flat Head Cap Screws |
| (4) .77 x .50 x .25 Nylon Spacer       | (1) 1/8" Allen Key                 |
| (1) 5mm Allen Key                      | (1) 5mm Allen Key                  |

BEFORE PROCEEDING, READ INSTALLATION INSTRUCTIONS COMPLETELY

### CAUTION! WARNING!

**DISPLAYS ARE EXTREMELY FRAGILE.**

**ALL COMPONENTS MUST BE SECURELY FASTENED TO A STRUCTURAL MEMBER CAPABLE OF SUPPORTING 4 TIMES THE COMBINED WEIGHT OF ALL COMPONENTS PLUS THE EQUIPMENT BEING MOUNTED. IF IT CANNOT SUPPORT THIS WEIGHT, THE STRUCTURE MUST BE REINFORCED. THE MAXIMUM WEIGHT TO BE INSTALLED ON THE INTERFACE IS 125 POUNDS (56.70 KG).**

#### 1. Chief Q-latch Button Installation

Using a 10-24 button head cap screw inserted from back side of bracket, secure mounting button, with chamfered hole of mounting button (larger surface) facing bracket, to interface brackets (four places) (see Figure 2 & Figure3).

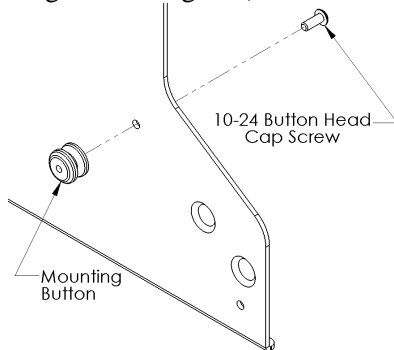


Figure 2

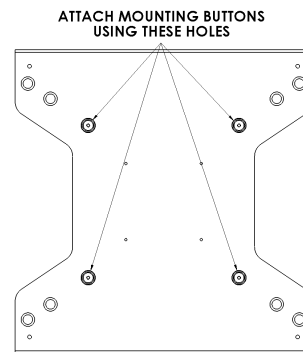


Figure 3

Figure 5

- Bracket Installation:** Attach brackets to back of display using four M8 screws (see Figure 6 & Figure 7). Do not over tighten screws. The plate has two sets of mounting holes. The inner set of holes is for the 32" screen and the outer set of holes is for the 37" screen.

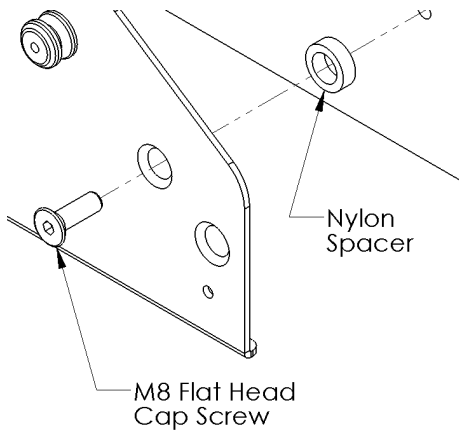


Figure 6

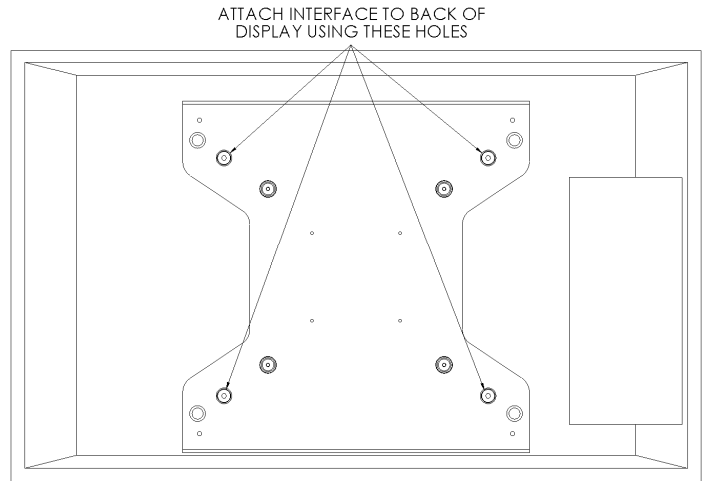


Figure 7

- Follow the Chief mount instruction manual for screen installation.