
INSTALLATION INSTRUCTIONS

MSB-6364

FLAT PANEL DISPLAY MOUNTING BRACKET

Prior to assembly, unpack carton completely and verify contents.

If you are missing any of the following components, please contact Customer Service at 1-800/582-6480

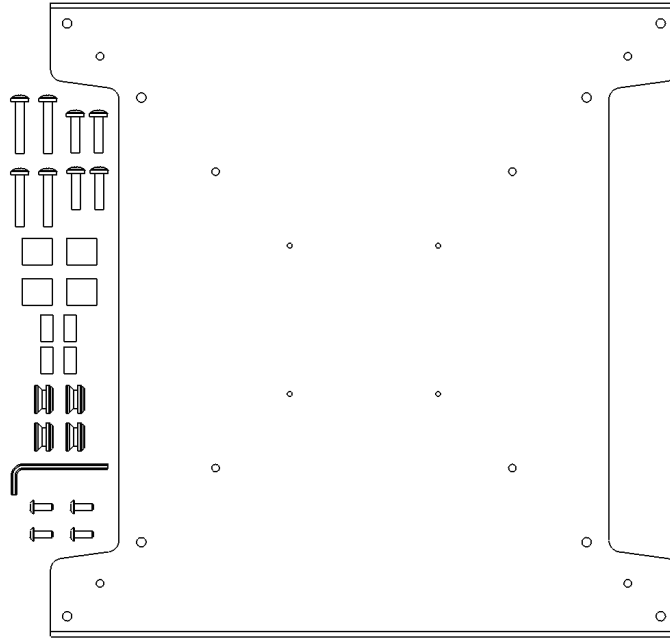


Figure 1

- | | |
|--|------------------------------------|
| (1) Interface Bracket | (4) Mounting Button – Tapped |
| (4) 10-24 x .5 Button Head Cap Screw | (4) M6 x 35mm Phillips Head Screws |
| (4) M18 OD x 8.3 ID x 20 L Metric Nylon Spacer | (4) M6 x 25mm Phillips Head Screws |
| (4) .75 OD x .266 ID x .375 L Nylon Spacer | (1) 1/8 Allen Key |

BEFORE PROCEEDING, READ INSTALLATION INSTRUCTIONS COMPLETELY

CAUTION! **DISPLAYS ARE EXTREMELY FRAGILE.**

WARNING! **ALL COMPONENTS MUST BE SECURELY FASTENED TO A STRUCTURAL MEMBER CAPABLE OF SUPPORTING 4 TIMES THE COMBINED WEIGHT OF ALL COMPONENTS PLUS THE EQUIPMENT BEING MOUNTED. IF IT CANNOT SUPPORT THIS WEIGHT, THE STRUCTURE MUST BE REINFORCED.**

THE MAXIMUM WEIGHT TO BE INSTALLED ON THE MOUNT IS 125 POUNDS (56.74 KG).

NOTE: If installing screen on a Chief J-series wall mount, proceed to Step 2 (J-Series VESA Interface Installation).

1. Using a 10-24 button head cap screw inserted from back side of bracket, secure mounting button, with chamfered hole of mounting button (larger surface) facing bracket, to top and bottom brackets (four places) (see Figure 2 & Figure 3).

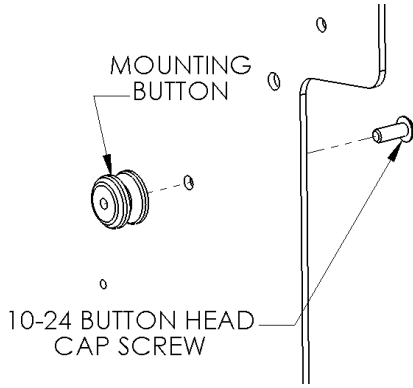


Figure 2

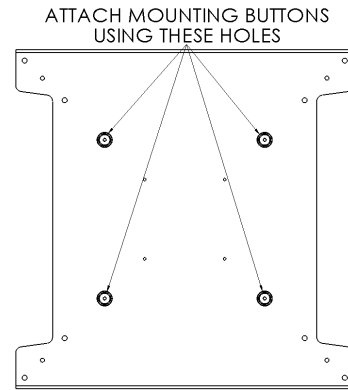


Figure 3

2. Place Nylon spacers over mounting holes on back of screen. Attach mounting brackets to display using the M6 screws (see Figure 4). For 32" and 37" screens use the longer spacer (20mm length) and M6 x 35mm screw (see Figure 5). For 42" 46" and 52" screens use the .375" spacer and M6 x 25mm Screws (see Figure 6).
3. With the aid of another person, lift your display up to the Chief Mount, aligning buttons of mounting brackets with slots in the Chief Mount. Lower safety latch on the Chief Mount to secure your display, making sure latch is completely engaged. **If using a Chief J-series wall mount**, use the M4 screws provided with the wall mount to attach the wall mount to the interface plate.

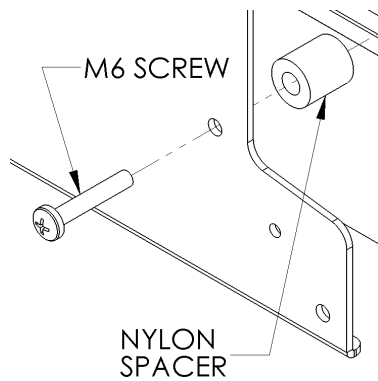


Figure 4

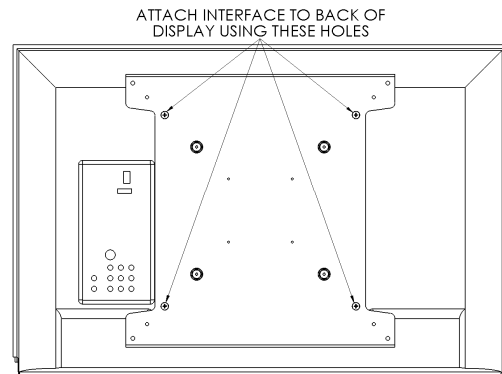


Figure 5 (32" & 37" SCREENS)

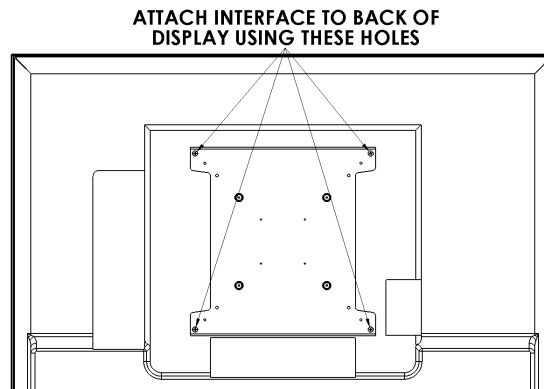


Figure 6 (42", 46" & 52" SCREENS)