

# INSTALLATION INSTRUCTIONS

## MSB-6510 DISPLAY MOUNTING BRACKET

Prior to assembly, unpack carton completely and verify contents.

If you are missing any of the following components, please contact Customer Service at 1-800/582-6480

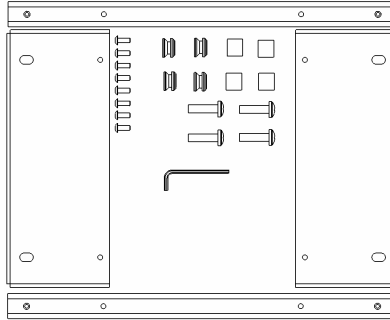


Figure 1

(2) Interface Side Brackets  
(4) Mounting Buttons – Tapped  
(4) M8 x 30mm Phillips Head Cap Screws  
(1) 1/8" Allen Key

(2) Interface Center Brackets  
(8) 10-24 x .500 Button Head Cap Screws  
(4) .680 x .390 x .625 Nylon Spacers

BEFORE PROCEEDING, READ INSTALLATION INSTRUCTIONS COMPLETELY

**CAUTION!** DISPLAYS ARE EXTREMELY FRAGILE.

**NOTE:** If installing screen on a Chief J-series wall mount, proceed to Step 3 (J-Series VESA Interface Installation).

1. **Chief Q-latch Button Installation (Used with M-series mounts):**

Using a 10-24 button head cap screw inserted from back side of bracket, secure mounting button, with chamfered hole of mounting button (larger surface) facing bracket, to center brackets (four places) (see Figure 2 & Figure3).

2. Proceed to Step 4 (Side Bracket Assembly).

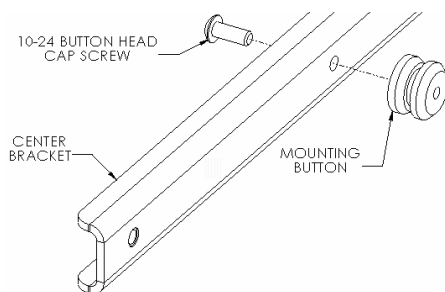


Figure 2

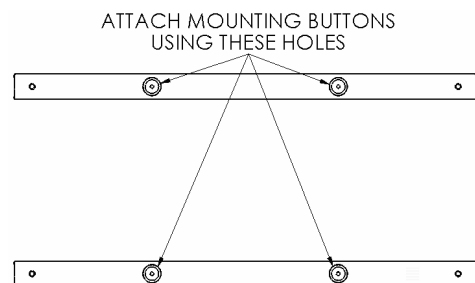


Figure 3

3. **J-Series VESA Interface Installation:** Using the 10-24 button head cap screws along with the 10-24 Nylock nuts (provided with J-Series mount), attach VESA interface from J-Series mount to center brackets (see Figure 4 & Figure 5).

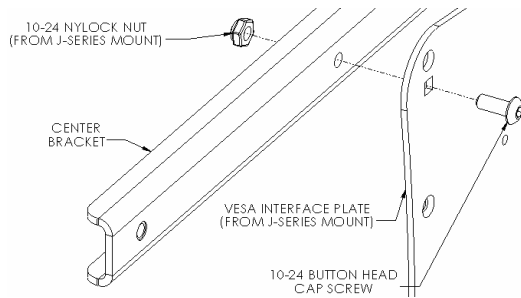


Figure 4

ATTACH VESA INTERFACE TO CENTER BRACKETS USING THESE HOLES

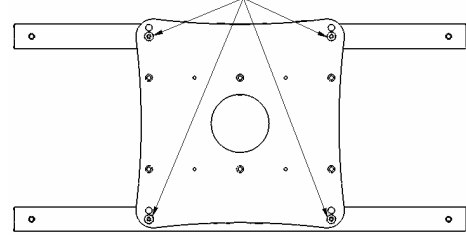


Figure 5

4. **Side Bracket Assembly:** Attach center brackets to side brackets using the 10-24 button head cap screws (see Figure 6 & Figure 7).

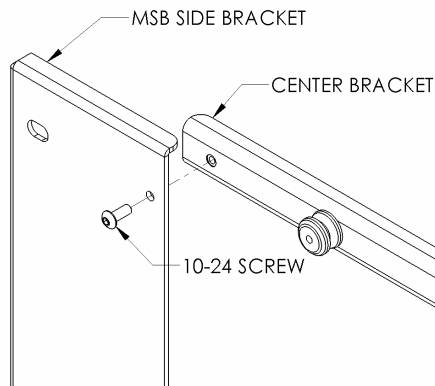


Figure 6

ATTACH TO SIDE BRACKETS USING THESE HOLES

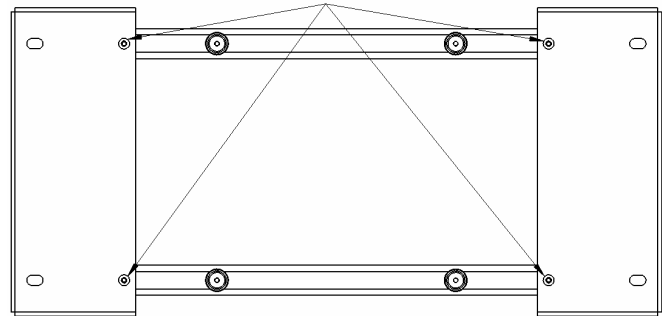


Figure 7

5. **Bracket Installation:** Place nylon spacers over mounting holes of screen and attach brackets to back of display using the M8 screws (see Figure 8 & Figure 9). Do not over tighten screws.

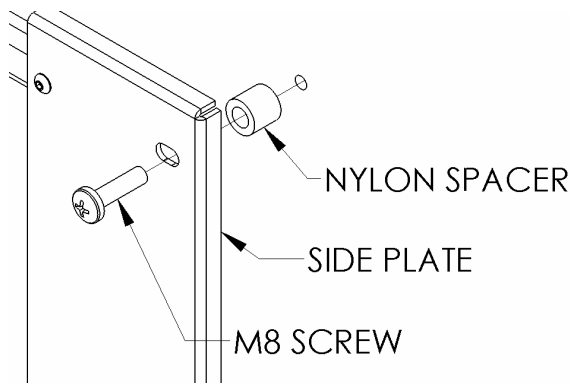


Figure 8

ATTACH BRACK TO BACK OF SCREEN USING THESE HOLES

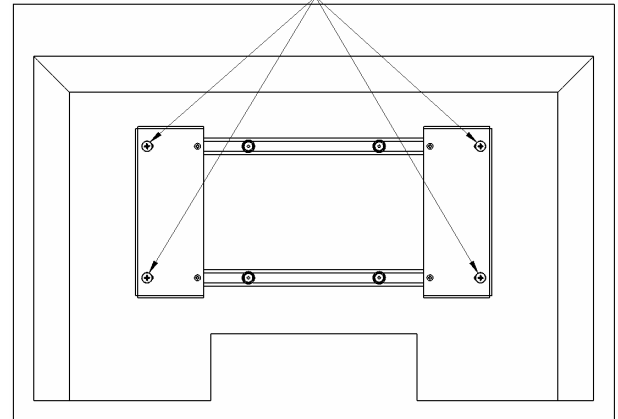


Figure 9

6. Follow the Chief mount instruction manual for screen installation.